



Saunum

Saunum BASE / BASE Short / BASE S

ENG • EST • RUS • GER • FRA • ITA • FIN • SWE

Saunum BASE / BASE Short / BASE S

- INSTRUCTIONS FOR USE AND INSTALLATION
- KASUTUS- JA PAIGALDUSJUHEND
- ИНСТРУКЦИЯ ПО МОНТАЖУ И ЭКСПЛУАТАЦИИ
- BEDIENUNGS- UND INSTALLATIONSANLEITUNG
- INSTRUCTIONS D'UTILISATION ET D'INSTALLATION
- ISTRUZIONI PER L'USO E L'INSTALLAZIONE
- KÄYTTÖ- JA ASENNUSOHJE
- BRUKS- OCH MONTERINGSANVISNINGAR

ENGLISH	5
EESTI	37
РУССКИЙ	69
DEUTSCH	103
FRANÇAIS	137
ITALIANO	171
SUOMI	203
SVENSKA	235



Saunum

Sauna climate unit

Saunum BASE / BASE Short / BASE S

Sa

THE BEST SAUNA EXPERIENCE TO HAVE!

I am very glad that you have invested in the Saunum device, and I believe that our innovative technology will offer you a wonderful and extraordinary sauna experience.

I have a degree in thermal engineering and come from the Southern Estonia, where my love for saunas began. The special feature of local historic smoke saunas is the lower temperature and higher humidity level than, for example, a classic Finnish sauna. In ordinary saunas, the stone volume of the sauna heater is generally small. Such an arrangement can cause a sudden, burning hot steam and an extremely uneven temperature, where your head and shoulder level is really hot, but your feet are left cold. Such an experience can be quite unpleasant and may cause headaches and lead to body stress. However, in ancient smoke saunas and Native American saunas, the stones were first heated during the day. Then the heat stored in the stones was used to cleanse the body and create a truly enjoyable sauna experience.

Inspired by the experience of a smoke sauna, I wanted to create an innovative solution that combines the best features of an authentic sauna with modern technology; enabling a pleasantly mild and relaxing sauna experience without painfully scorching steam. For that, however, I had to solve the problem of how to achieve an even temperature, at both the head and foot levels. My development work was supported by research done alongside Tallinn University of Technology,



Sa

in which we analysed the thermal stratification and air movement in the sauna room. Saunum was born in cooperation between scientific thinking and technological innovation.

Saunum's unique patented mixing system of air layers captures the hot steam that rises under the ceiling of the sauna room, mixes it with the cooler air from the surface of the floor, and directs the milder steam back evenly. This makes for an enjoyable, unaggressive heat. You can sit in the sauna for a longer time, and enjoy a sweat and a deep cleanse without feeling tired. The stone volume of our heaters is significantly larger than other sauna heaters, which is the reason for the especially pleasant indoor climate with long and soft steam.

A moist steamy sauna, a sanarium, a therapeutic salt sauna, or a healthy aroma sauna – all of these functions are available on Saunum's devices to create a truly relaxing sauna experience. When using Himalayan salt balls in our device, salt ions that are beneficial to skin and respiratory tract evaporate and the steam circulates these into the air. Adding a sauna aroma system that blends steam and healthy aroma oil creates an even more enjoyable sauna environment.

Saunum's sauna devices are suitable for both adults and children.

Have a pleasant sauna!

Andrus Vare
The creator of Saunum



Saunum Saunas OÜ
congratulates you
 on choosing an innovative
 sauna climate unit!



TABLE OF CONTENTS

Safety information _____	10
INSTALLATION INSTRUCTIONS	
Installation _____	12
Dimensions of the Saunum BASE / BASE Short models _____	12
Saunum BASE / BASE Short model installation distances _____	14
Components of the Saunum BASE / BASE Short device ____	16
Saunum BASE / BASE Short model installation _____	17
Saunum BASE S model dimensions _____	20
Saunum BASE S model installation distances _____	22
Components of the Saunum BASE S model device _____	23
Electrical connections _____	26
INSTRUCTIONS FOR USE	
Instructions for use _____	30
Sauna climate control _____	30
Using the device _____	30
Instructions for using Himalayan salt balls _____	31
Warnings _____	32
Maintenance and repair _____	33
Warranty _____	34
Installation report _____	35

Sa

These installation and operating instructions are intended for the owner or maintenance provider of the sauna, as well as the electrician responsible for installing the sauna climate unit. After installing the sauna climate unit, the manual must be handed over to the owner or the maintenance provider. Before using Saunum's BASE, BASE Short or BASE S sauna climate unit, please read the installation and safety instructions.

The **BASE / BASE Short / BASE S** sauna steam room climate unit manufactured by Saunum Saunas OÜ (hereinafter the Device) may not be taken into use before reading the installation and safety instructions!

The Device is designed for mixing layers of air in the steam room of the sauna and, harmonising the temperatures of the indoor climate of the sauna and, as an added function, releasing salt ions into the indoor air from the Himalayan salt balls included in the set. The special ventilator in the Device generates air flow that harmonises the upper and lower air layers of different temperatures in the heated sauna and makes the steam smooth and even.

NB! It is forbidden to use the sauna climate unit with the heater above 100 °C!

NB! Do not use the Device for anything other than the intended purpose!

Make sure you do not have allergies and contraindications to a saline environment. Consult a doctor about medical contraindications.

Saunum Saunas OÜ will not be held liable for various side effects to the health of the user of the Device. Using Himalayan salt balls in the Device is an optional added function which may be left unused without any effect on the functioning of the Device in harmonising the climate of the steam room.

In the case of any health concerns, the salt balls can be removed from the base tray and the Device can be used for only mixing the layers of air.

CAUTION! The sauna climate unit may only be activated for the duration of the steam bath. The sauna climate unit must be switched off when heating the sauna and during breaks between steam baths!

Do not pour water into the housing or ventilation openings of the Device or use the Device in a room where there is water flowing on the floor or where flammable/explosive gases may leak into the air.

Sa

The Device may not be used if any housing components have been removed and/or the electrical wiring diagram has been altered. Children must not be allowed access to the Device or to play with the Device. Children may not clean the Device.

The Device must be installed by a person who is qualified to perform electrical work. The Device must be connected to the power grid by using permanent wiring that is suitable for the ambient temperature conditions. The connecting terminals of the Device must be equipped with protective earthing (PE). The cross-sectional area of the wire must be at least 1.5 mm². The Device must be powered from a power circuit that is protected with overcurrent and residual-current devices. Supply voltage: 230 V 50/60 Hz Wattage: 75 W.

CAUTION! Before servicing and cleaning the Device, unplug the Device and wait for the moving parts of the Device to come to a complete stop.

CAUTION! The Device housing has sharp corners and edges against which you may injure yourself if you are not careful.

CAUTION! The sauna climate unit must be installed so that the exhaust opening is not directed towards the heater.

TRANSPORT AND STORAGE

The Device is packaged by the manufacturer in a way that ensures the preservation of the Device under normal transport conditions. The Device must not be dropped, tossed or stored under heavy goods. Store the Device in a dry room that is protected from weather effects.



INSTALLATION

NB! Read the Safety Information before beginning installation (see pp 10–11)!

The Device is installed on the wall of the steam room or behind the inner lining (if the device is integrated into the wall, the lining boards must be secured to the sheet metal face of the air duct with weather-board clamps) (see Figures 1, 1A, 1B, 1C, 1D, 1E and 2, 2A, 2B and 2C on the following pages).

The air outlet of may not be obstructed and sauna users must keep all body parts (feet, arms, legs, hands, etc.) at least 50 cm away from the fan.

The discharged air flow must be able to spread freely throughout the steam room.

Figure 1
Dimensions of the Saunum
BASE / BASE Short models.

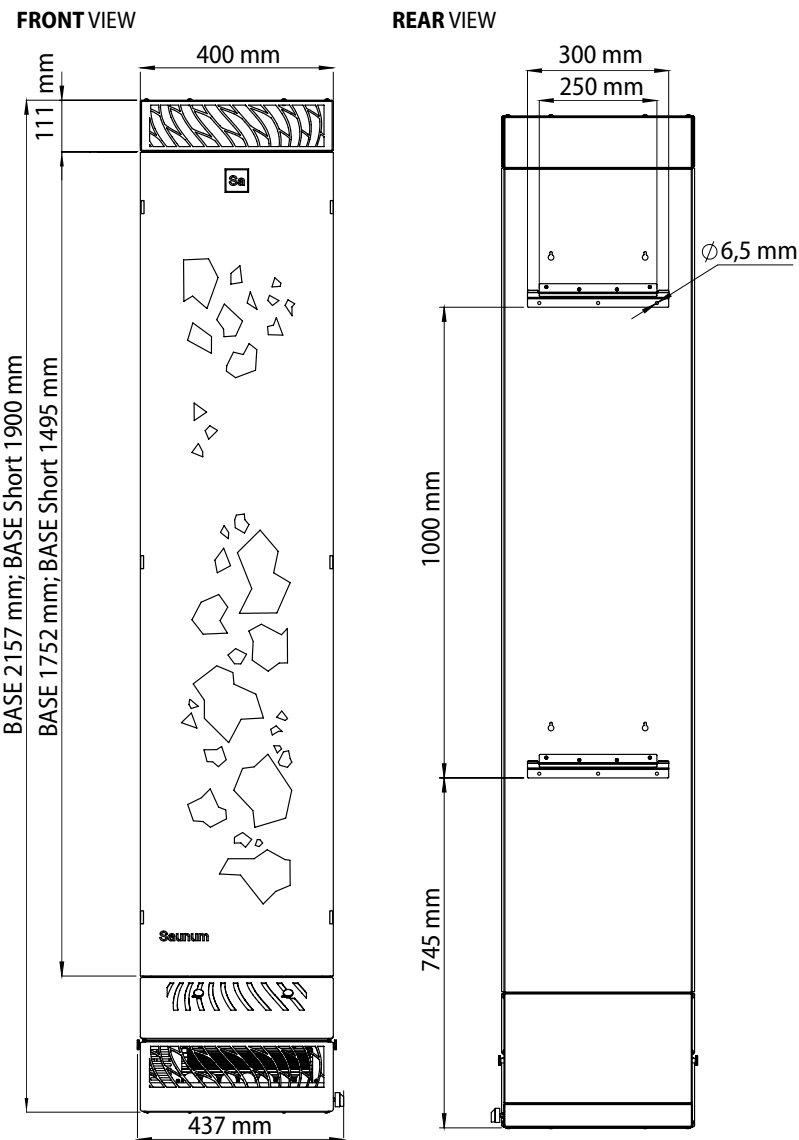
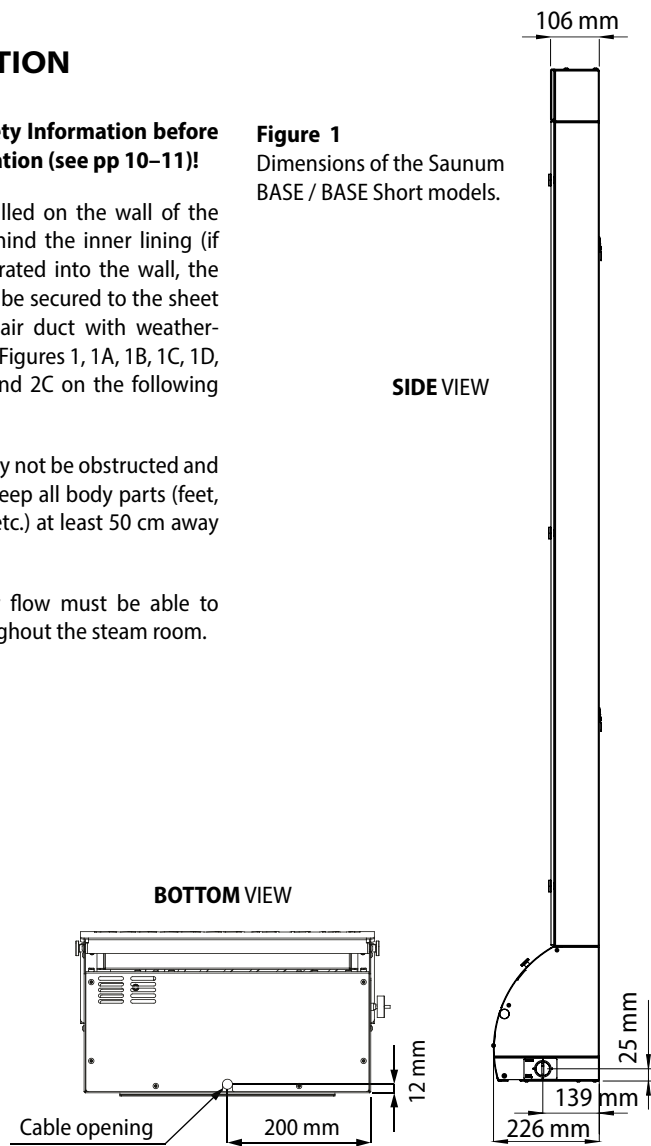




Figure 1A – Saunum BASE / BASE Short model installation distances.

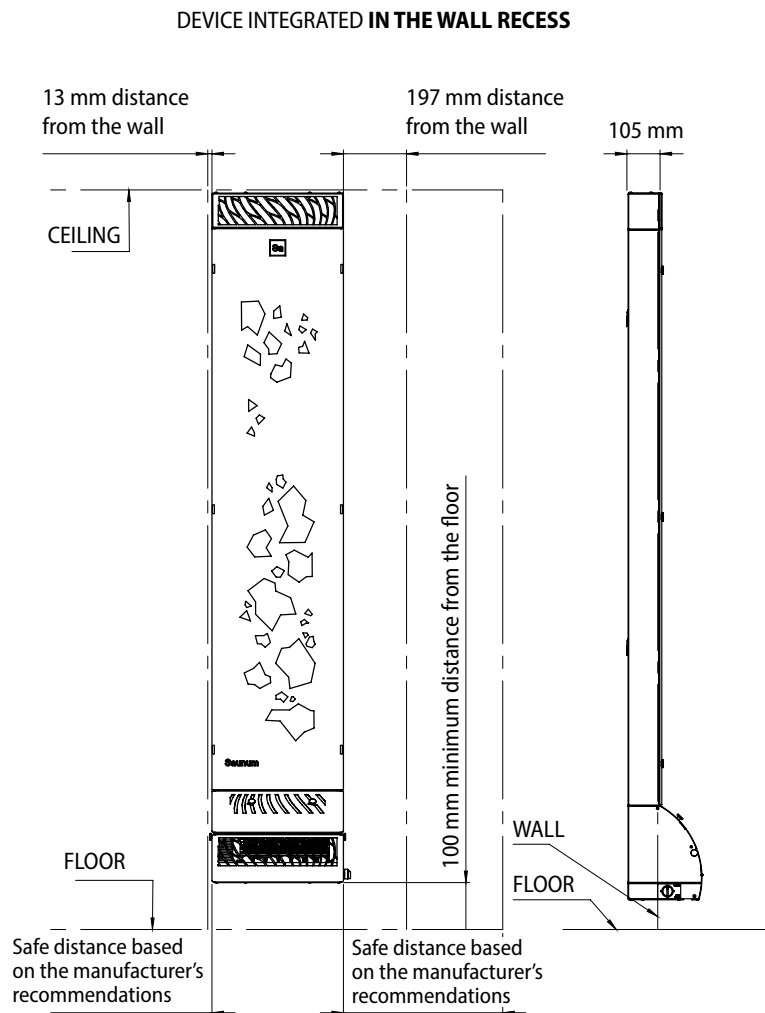
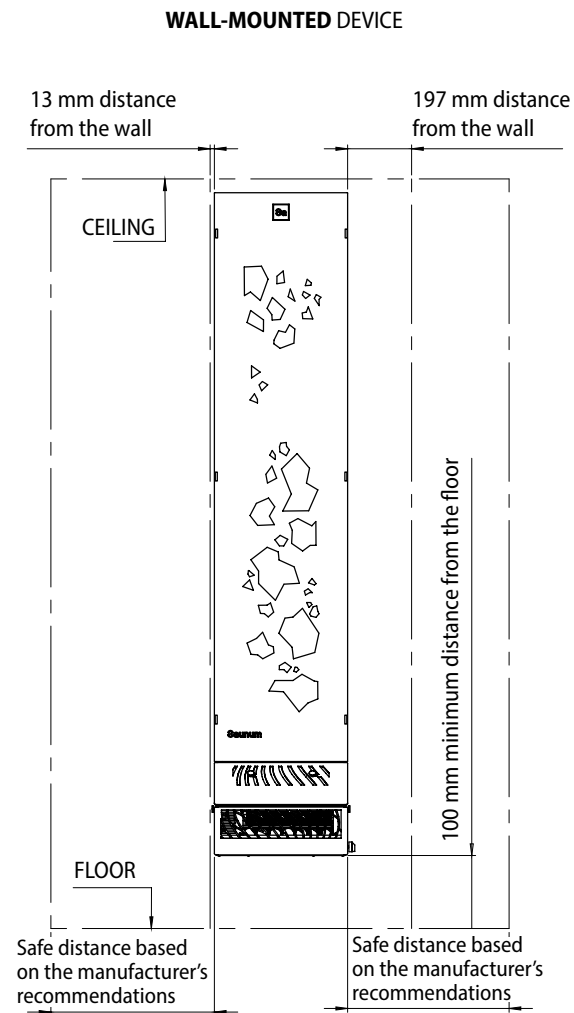
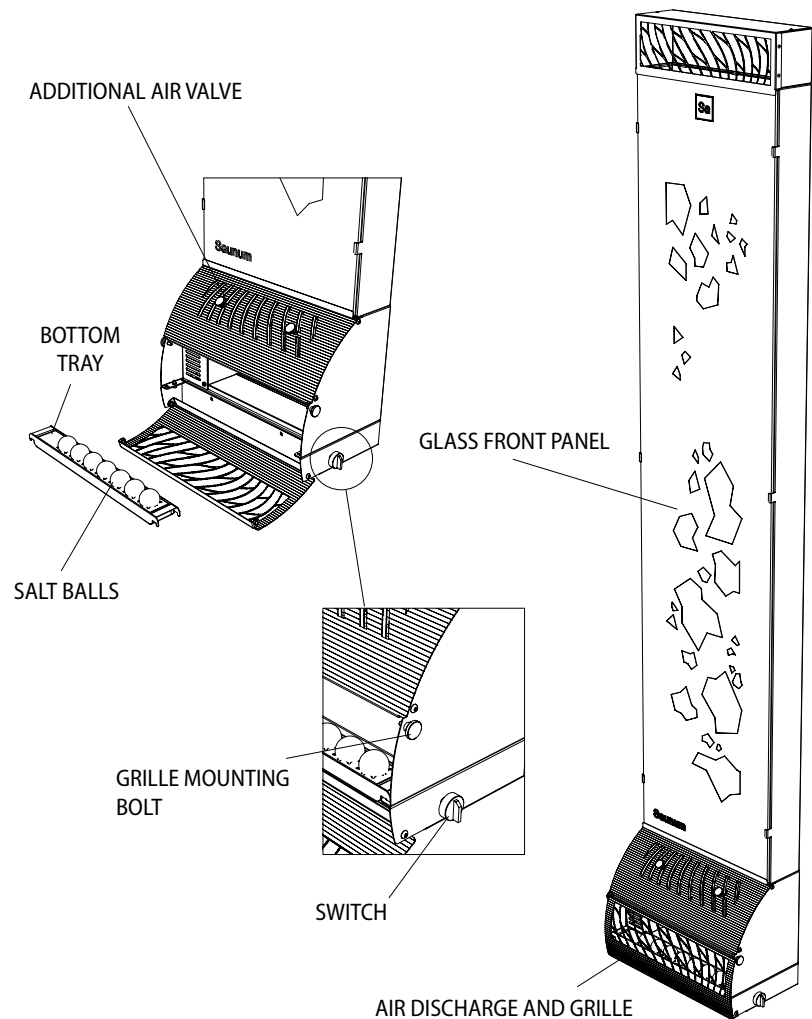


Figure 1B – Saunum BASE / BASE Short model installation distances.



Sa

Figure 1C – Components of the Saunum BASE / BASE Short device.

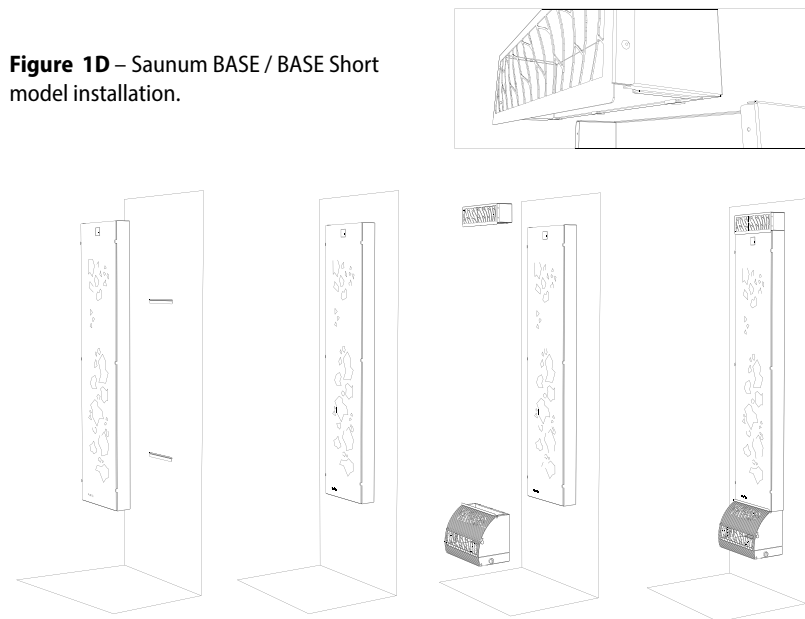


Sa

The Device works most efficiently when the edge of the upper airing vent opening is adjacent to the ceiling of the steam room (model with a protective grille). If the Device is not equipped with a protective grille, the Device should be installed so that the upper edge remains 80–100 mm below the ceiling. The lower edge may not be closer than 100 mm to the floor to prevent the water on the floor from coming into contact with the electrical wiring of the Device.

The Device is designed for wall mounting using the hanging strips included in the set. The wall in the installation spot must be able to carry the weight of at least 35 kg and allow the supplied hanging strips to be fastened with screws. The hanging strips are attached to the wall of the steam room, each with at least two screws. The Device is then lifted onto the wall so that both the upper and lower strips slide between the strips attached to the back of the Device.

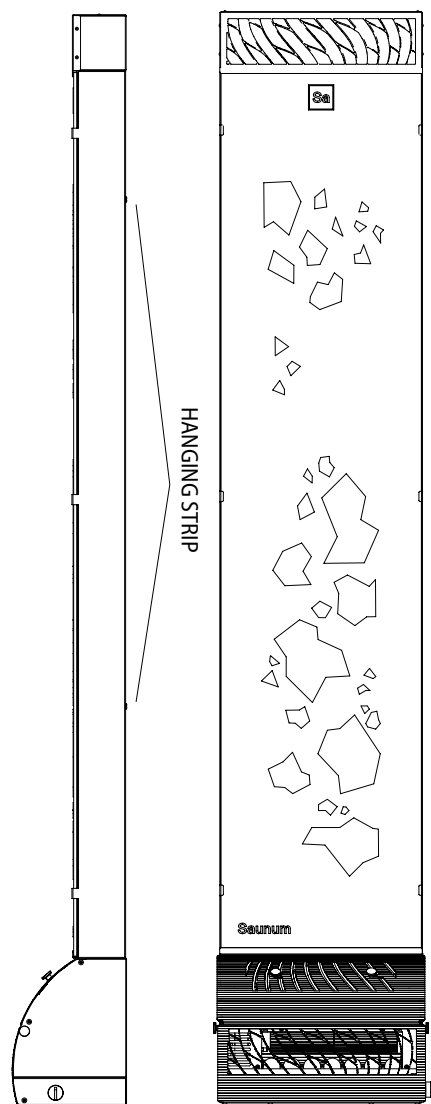
Figure 1D – Saunum BASE / BASE Short model installation.



Sa

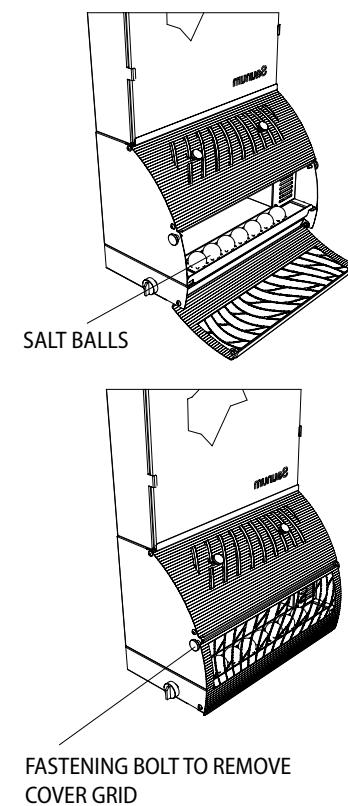
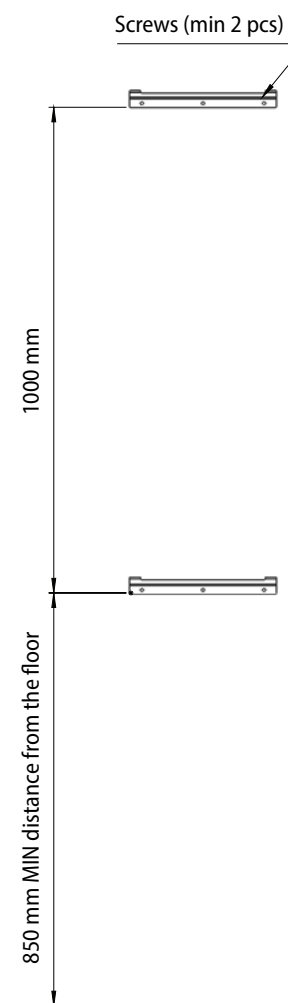
Figure 1E – Recommended installation of the Saunum BASE / BASE Short model using a hanging strip.

1. Install the strips supplied with the Device on the wall. Use anchors if necessary.
2. Hang the Device on the wall-mounted strips. Make sure that the eyelets on the back of the Device rest equally on both slats. (If necessary, use a spirit level to ensure that the Device is level.)
3. Check the Device for any external damage. It is forbidden to use a damaged Device!



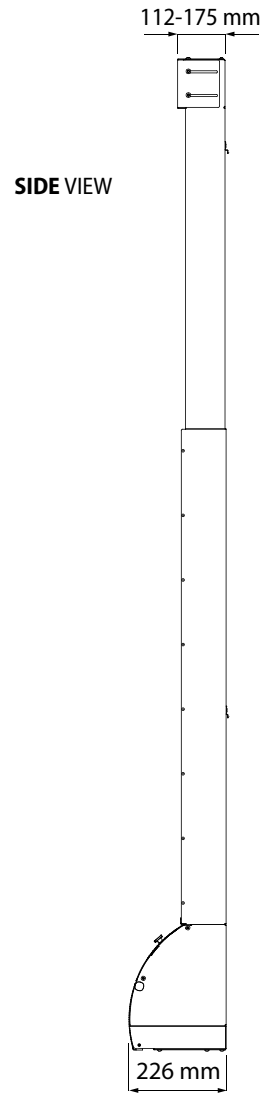
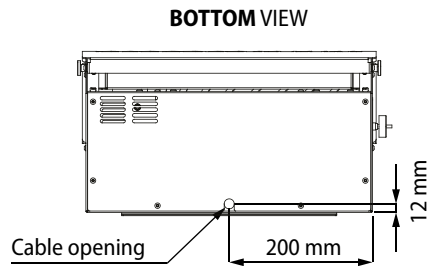
Sa

4. Install the salt balls. The salt balls are placed in the Device after it has been mounted on the wall. To install the balls, open the lower grille by removing the two hand-turned bolts. Place the balls in their slots on the tray.



Sa

Figure 2
Saunum BASE S model dimensions.



Sa

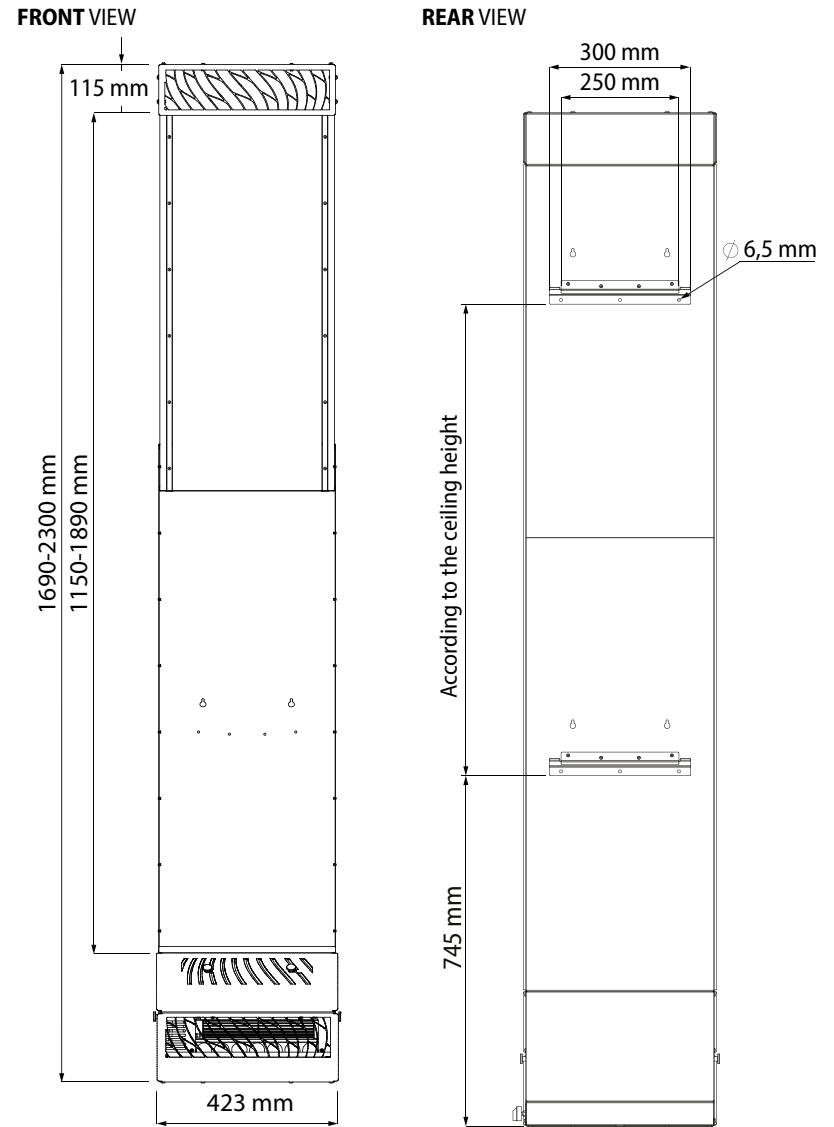




Figure 2A – Saunum BASE S model installation distances.

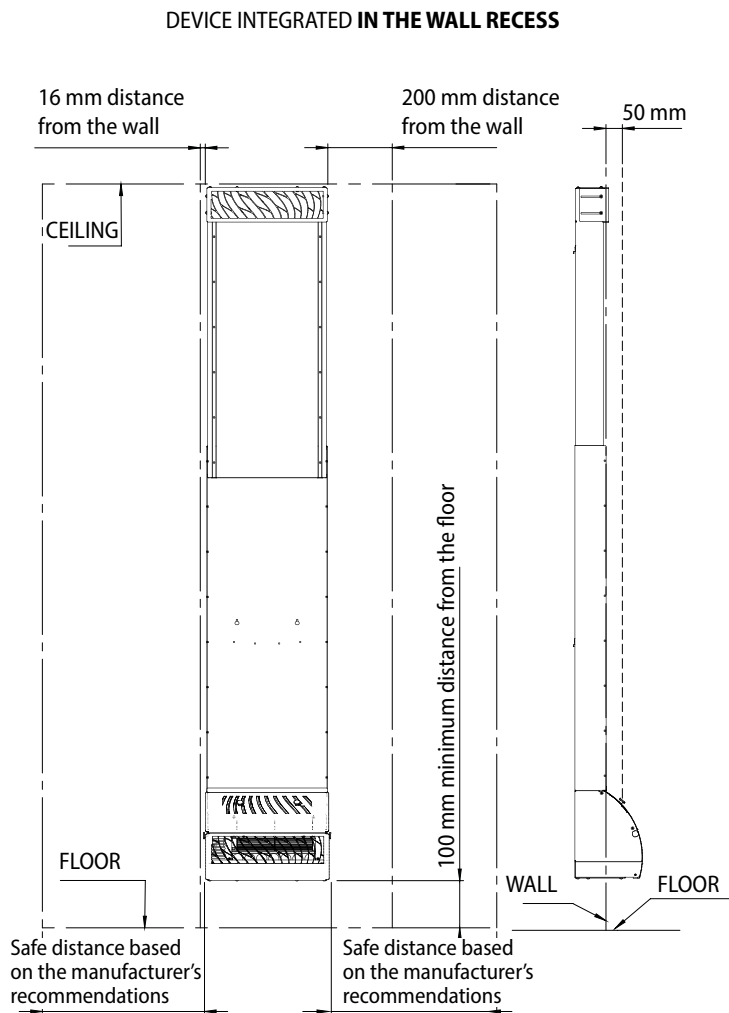
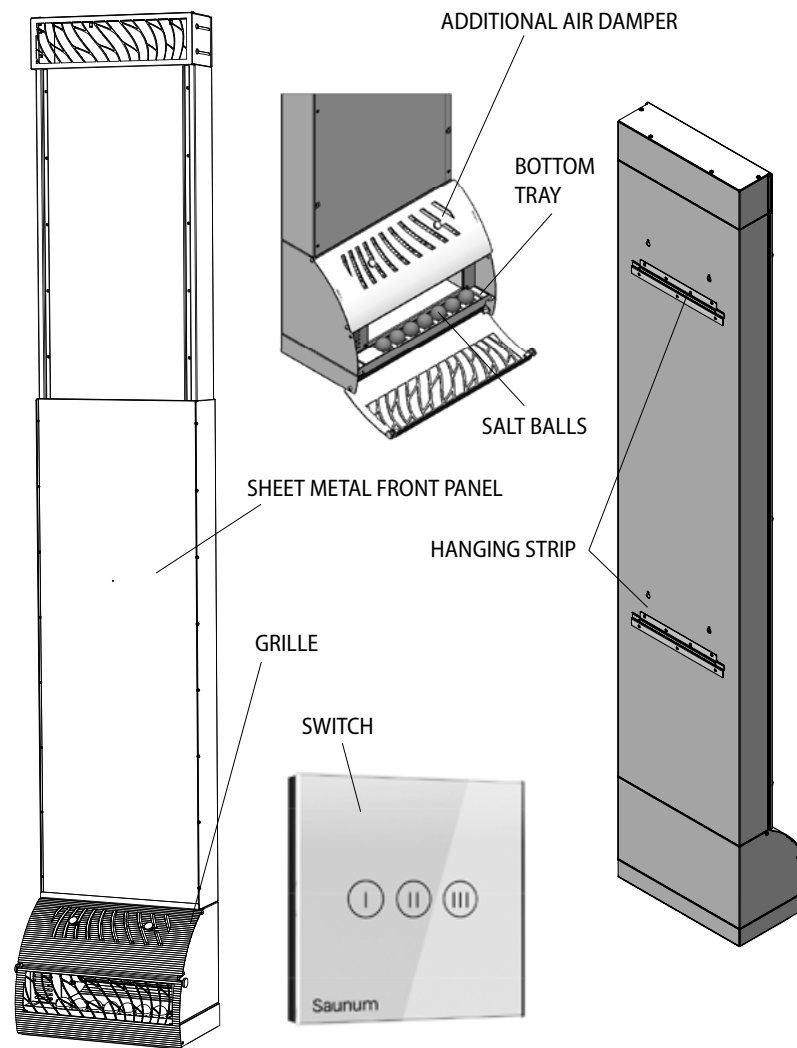


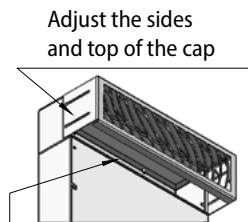
Figure 2B – Components of the Saunum BASE S model device.



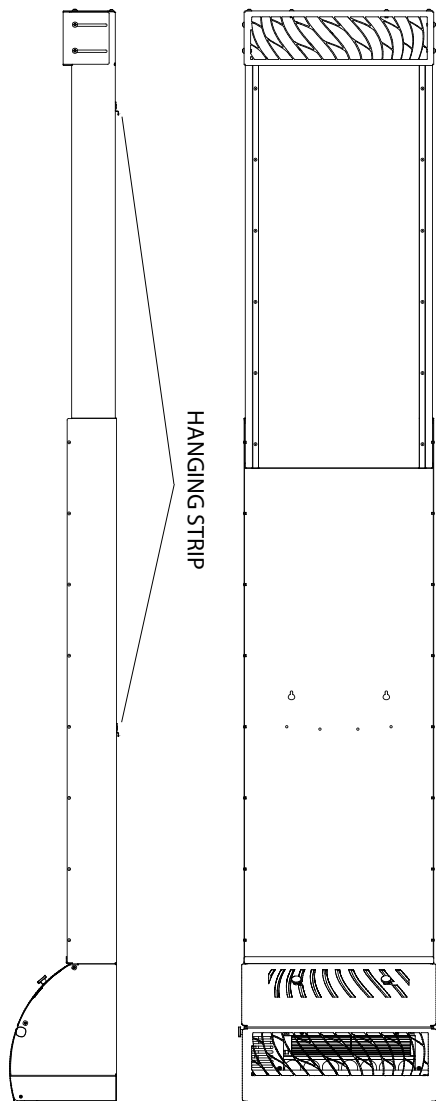
Sa

Figure 2C – Recommended installation of the Saunum BASE S model using a hanging strip.

1. Install the strips supplied with the Device on the wall. Use anchors if necessary.
2. Hang the Device on the wall-mounted strips. Make sure that the eyelets on the back of the Device rest equally on both slats. (If necessary, use a spirit level to ensure that the Device is level.)
3. Check the Device for any external damage. It is forbidden to use a damaged Device!
4. Before using the Device, cover all uncovered openings using the specified aluminium tape to do so.

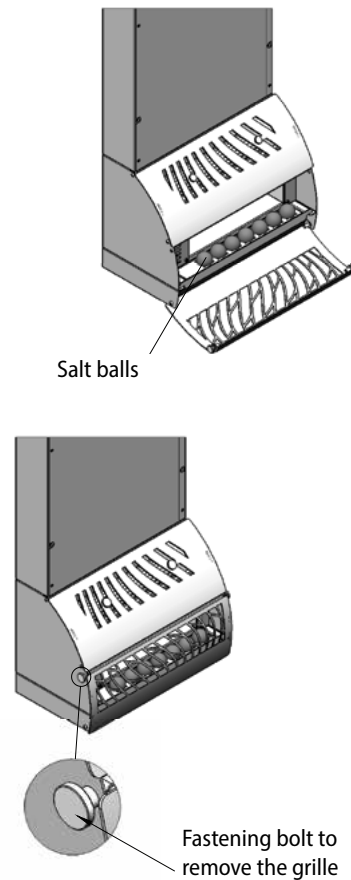
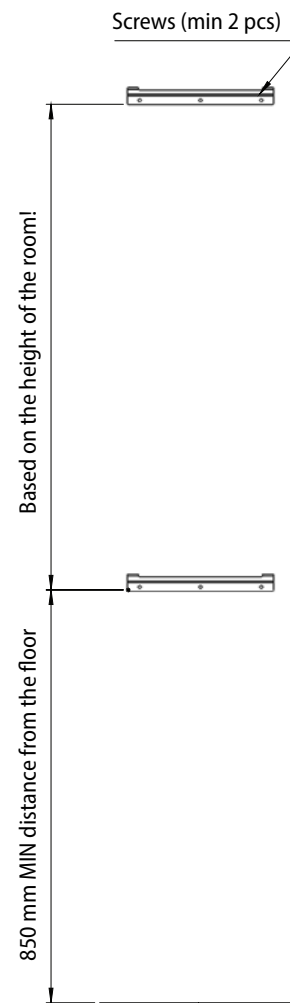


Opening under the cap after adjusting the telescopic cap



Sa

5. Place the salt balls. The salt balls are placed in the Device after it has been mounted on the wall. To place the balls, open the lower grille by removing the two hand-turned bolts. Place the balls in their slots on the tray.



Sa

ELECTRICAL CONNECTIONS

ATTENTION! The Device must be installed by a person who is qualified to perform electrical work, in accordance with the applicable standards and requirements.

The Device must be permanently connected to the power grid using a screw terminal and a cable that is suitable for the temperature conditions in compliance with the electrical connection diagrams presented in this manual (Figures 3, 3A, 4, 5 and 6 on the following pages).

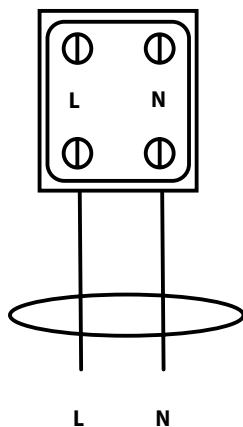
The outer diameter of the cable must not exceed 10 mm. The connection terminal of the Device must be equipped with protective earthing (PE) with a minimum cross-sectional area of the wire being 1.5 mm². The Device must be powered by a 230 VAC 50/60 Hz supply circuit which is protected with a C2 overcurrent protection device, and the supply circuit of the Device must also be equipped with a residual current device to ensure the safety of people in the steam room.

The lighting of the Device must be connected to either an external or internal switch. The power circuit for the external light switch must also be equipped with residual-current and overcurrent protection devices.

The lighting and fan circuits of the Device are connected to external switches, the

supply circuits of which are equipped with residual-current and overcurrent protection devices. The power cable must enter the Device housing vertically from below to prevent water from entering the Device along the cable. The external insulation layer of the cable may only be peeled off in the section which remains inside the housing of the Device.

Figure 3 – Connecting the power cable to a Device equipped with an internal fan speed switch.



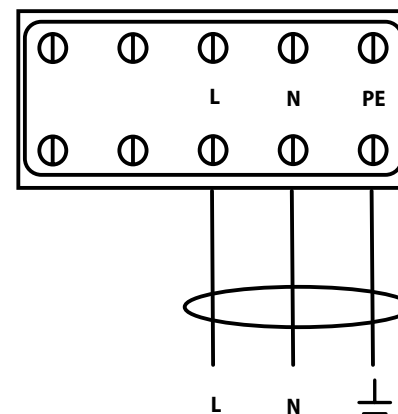
The wiring diagram only applies to an illuminated Device with an external switch!

NB! Perform the wiring in accordance with the instructions provided for in the wiring diagram of the Device.

NB! The circuit must include residual-current and overcurrent protection devices!

Sa

Figure 3A – Connecting the power cable to a Device equipped with an internal fan speed switch. The main power supply of the Device.



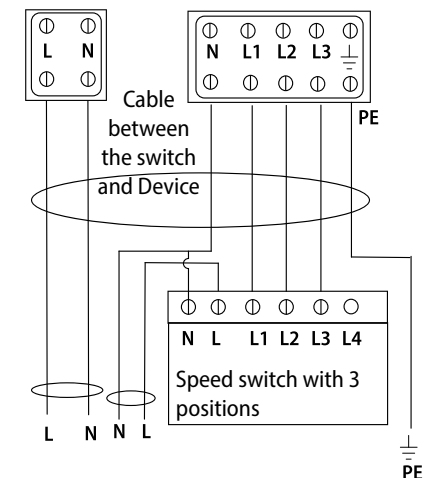
NB! Only connect via residual-current and overcurrent protection devices!

The power cable being used must be designed for stationary electrical installations and compliant with the requirements for the electrical installation installed in the steam room. The cross-section of the power cable must be 1.5–2.5 mm².

Insert the power cable through the hole in the bottom of the Device, in accordance with the installation instructions.

The power cable must not be left lying on the floor of the steam room.

Figure 4 – Connecting the power cable to a Device equipped with an external fan speed switch.



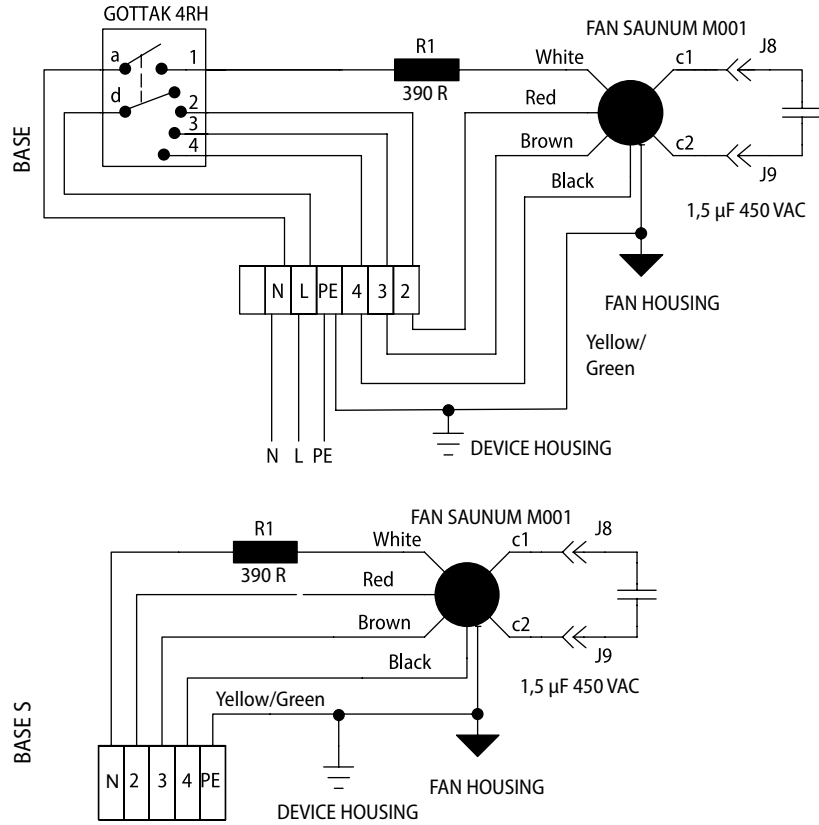
NB! The circuit must include residual-current device and overcurrent protection devices!

Fan power supply. NB! The circuit must include residual-current and overcurrent protection devices!

NB! Perform the wiring in accordance with the instructions provided for in the wiring diagram of the Device.

Sa

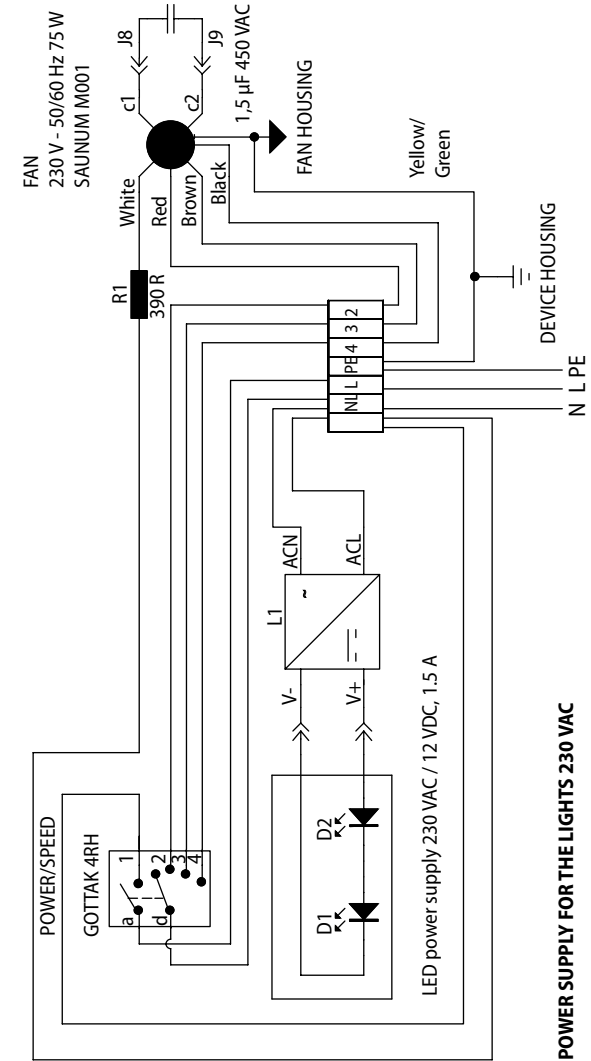
Figure 5 – Wiring diagram: Device, switchless, with illumination.



POWER/SPEED
230 VAC FAN POWER INPUT TERMINAL
NB! CONNECTION ONLY PERMITTED THROUGH
AN AUTOMATIC PROTECTIVE DEVICE!

Sa

Figure 6 – Wiring diagram: Device, equipped with illumination and a switch.



POWER SUPPLY FOR THE LIGHTS 230 VAC

POWER/SPEED
230 VAC FAN POWER INPUT TERMINAL
NB! ONLY CONNECT THROUGH AN AUTOMATIC
PROTECTIVE DEVICE!

Sa

INSTRUCTIONS FOR USE

The Device is designed for harmonising the climate of the steam room during a steam session.

Before using the Device for the first time, check:

- compliance of the wiring with the requirements;
- compliance of the supply voltage with the rated voltage of the Device;
- the condition of the protective earthing (PE);
- the mountings on the Device housing;
- the wall mountings of the Device;
- the condition / presence of overcurrent and residual-current protection devices;
- if the fan rotor can rotate freely;
- if all tools and residues of the materials used during installation are removed from the housing of the Device.

When starting the Device, check:

- the direction of air flow – air must be drawn from the upper and blown out from the lower opening;
- for abnormal vibration or noise when the fan is running;
- the lighting stability for LED equipped devices.

SAUNA CLIMATE CONTROL

The volume of air circulated by the Device can be regulated by a rotary switch located on the lower right side of the Device.

The switch has four positions and can be turned both clockwise and counter-clockwise. When the bar on the switch button points to the left, the Device's fan is turned off. Airflow speed increases by turning the switch clockwise, you can choose between three different speeds. (Except Base S with external switch.)

To control the air temperature in the steam room, an air-cooling damper for steam is located on the bottom front panel of the Device (see Figures 1C and 2B). The recommended setting is to keep the cooling damper 1/3 open. To cool the steam, try opening the damper incrementally. Try using different fan speeds to find the perfect indoor climate for your sauna.

USING THE DEVICE

The Device is to be switched on immediately before entering the steam room and switched off immediately after leaving the steam room. The Device may not be switched on when heating the steam room or when there is no one in the steam room, as the operation of the Device will increase

Sa

the temperature in the lower part of the steam room and the bench and floor may become too hot.

To ensure long service life of the Device, make sure that the temperature in the steam room at the lower part of the Device does not exceed 80 °C. If this temperature is exceeded, the thermal protection will activate and the fan will stop; once the temperature falls below the activation level of the protection, the fan will be switched on again.

The manufacturer will not be held liable for equipment failures resulting from exceeding the permitted operating temperature.

If your Device is equipped with internal lights, the lights will activate at the same time as the fan (see the marking on the packaging of the Device) when the Device is switched on.

If your Device is wall-integrated and equipped with an external touch-sensitive switch for speed control, please keep in mind the following requirements:

- The external speed switch may only be installed outside the steam and washing room, e.g., the changing room, preferably next to the door, so that the Device can be conveniently switch on and off.
- The switch has three positions for selecting the desired airflow intensity. The Device can be switched on

and off by pressing and holding the touch-sensitive button of the desired speed.

- Touch the appropriate area to select speeds.
- If the Device is equipped with internal lighting, a separate switch (optional) must be used to switch it on.

INSTRUCTIONS FOR USING HIMALAYAN SALT BALLS

The sauna climate unit comes with Himalayan salt balls. The use of salt balls in the Device is optional and does not affect the basic function of the Device.

To use the salt balls, they must be placed in the base tray located between the air discharge grille and the fan. Make sure that the salt balls are placed correctly and do not impede the rotation of the fan.

To place or remove the salt balls (see Figures 1D and 2C), loosen the two fastening bolts on the discharge grille and lower the grille on its hinges. Do not use excessive force! After placing or removing the salt balls, shut the discharge grille and fasten it with two bolts.

The sauna climate unit may only be used if the grille is installed!

Sa

WARNINGS

- Remaining in the steam room for an extended period of time raises your body temperature, which can be dangerous to your health!
- Do not allow children, disabled or ill persons in the steam room unattended!
- Consult a doctor regarding medical contraindications to sauna bathing!
- Consult your doctor regarding medical contraindications to salt treatment!
- Make sure you are not allergic to salt treatment. Saunum is not responsible for the side effects of salt treatment!
- Consult a paediatrician or family physician about allowing children to take a sauna bath!
- Use caution when moving in the sauna and the steam room, as the bench and floor can be slippery!
- Do not go to the sauna under the influence of alcohol, drugs, or narcotics!
- Do not sleep in a hot steam room!
- Sea air and humid climates may cause an oxide layer (rust) to form on the metal surfaces of the heater!
- Make sure you have proper ventilation in the steam room. Saunum is not responsible for possible corrosion damage caused to the sauna equipment by salt. If necessary, consult a specialist!
- Do not hang towels and clothes to dry in the steam room – this may cause a fire hazard!
- Excessive moisture can damage electrical equipment!

NB! Do not leave the fan of the sauna climate unit running when you are not in the steam room – doing so will result in excessive energy consumption and the bench may become too hot!

Sa

MAINTENANCE AND REPAIR

CAUTION! Before servicing and cleaning the sauna climate unit, the power circuit of the Device must be disconnected from the mains and the moving parts of the device must come to a complete stop.

Before servicing and cleaning the Device, make sure that:

- the Device has been disconnected from the mains (switched off at the overcurrent protection device in addition to the power switch of the Device);
- the Device's fan has stopped completely;
- the required occupational safety and personal protective equipment is used when performing the works;
- the connecting cables are undamaged. If any damage to cables is detected, the cables must be replaced by a qualified electrician in accordance with the applicable standards and requirements before continuing maintenance and cleaning work.

The Device housing can be cleaned with a cloth dampened with water.

Do not use a pressure washer or running water to clean the Device! Do not use chemical cleaners or solvents to clean the Device!

Excessive dirt can cause imbalance of the fan rotor, which increase the noise level when the Device is operating. Damaged or bent fan blades may also increase the noise level. Make sure that no foreign objects enter the operating area of the fan rotor.

Generally, the fan does not need to be cleaned more than once a year. Only qualified persons may clean the fan.

Using compressed air to clean the fan may permanently damage the fan rotor!

Fan bearings are maintenance-free and must be replaced if malfunctions occur.

Make sure that there are no foreign objects in the air vents of the fan of the sauna climate unit. The Device is not meant to be cleaned by children.

If Himalayan salt balls are used with the sauna climate unit, it is recommended that the state of wear of the salt balls be checked once per year (see Figures 1D and 2C).

When the diameter of the balls has decreased by more than a half, the salt balls must be replaced. To replace the balls, remove the salt ball container from the Device and wash the container under running water to remove any salt residue. Install the container and place new salt balls in their slots.

In the event of any malfunctions involving the Device's fan and lighting, stop using the Device immediately and have it inspected by a qualified person.



GENERAL WARRANTY CONDITIONS FOR SAUNUM PRODUCTS

With the Saunum Equipment Warranty, Saunum guarantees that the product will be free from materials and manufacturing defects for a specified period after the date of purchase. In the event of a defect in the Device during the warranty period due to the use of low-quality materials or low quality of assembly, the recommended repair partners of Saunum will repair or replace the Device or its defective part without charging for labour and spare parts under the conditions presented below. Saunum reserves the right to decide whether to replace the defective product component or replace the Device with a new one. Replaced defective product components remain the property of Saunum.

Warranty conditions:

1. The warranty is only valid if a completed installation report is submitted with the claim.
2. A warranty period of two (2) years applies to the Device if it is used in a private sauna.
3. A warranty period of one (1) year applies to the Device if it is used in a public sauna.

The warranty does not cover:

1. Routine maintenance and cleaning of the Device, and replacing components due to normal wear and tear.
2. Adapting or modifying the Device to use it for purposes other than those stated in the operating instructions.
3. Risks associated with transport.
4. Damage caused by misusing the Device.
5. Damage caused by improper installation of the Device.
6. Repairs performed by a party other than a recommended repair partner (maintenance partner) of Saunum.
7. Accidents, lightning, water, fire, improper ventilation or any other factor beyond the control of Saunum.
8. Faults caused by the use of salt balls not recommended by Saunum.
9. Salt balls.

The list of installation and maintenance technicians recommended by Saunum Saunas OÜ is available on the website of Saunum Saunas OÜ at www.saunum.com or by contacting info@saunum.com.



The maintenance instructions for the device are given in the user manual of the Device.

NB! The sauna climate unit may only be connected to the mains by a professional electrician in accordance with the applicable regulations.

Read the entire user guide carefully and thoroughly before using the Device and keep it in a safe and easily accessible place for future reference.

INSTALLATION REPORT

Purchase date: _____

Heater type: _____

Sticker / serial number:

Place of installation: _____

Date of installation: _____

Installed by: _____

Checked: _____

Date, signature: _____

Description of work performed: _____

All details are available for installation _____

No colour defects or dents _____

Mounted on the wall or floor according to the instructions _____

The electrical connections have been made in accordance with the installation instructions _____

The three stages of the fan are running / in the correct order _____

NOTES: _____

Customer contact (name, e-mail): _____

Work accepted: _____

Warranty start date: _____

TO BE COMPLETED BY THE CUSTOMER



EC Declaration of Conformity

Manufacturer: Saunum Saunas OÜ

Address: Läike tee 2-4

75312 Peetri, Estonia

certifies that the product:

Indoor climate unit in the sauna steam room

complies with the requirements set forth in the following directives of the European Council, provided that the installation has been carried out in accordance with the installation instructions issued by the equipment manufacturer and the instructions EN 60 204-1 "Safety of Machinery. Electrical Equipment of Machines – Part 1: General Requirements": Machinery Directive 2006/42/EC; Low Voltage Directive 2014/35/EU; Electromagnetic Compatibility Directive 2014/30/EU.

Sa

Saunum

Saunakliimaseade

Saunum BASE / BASE Short / BASE S

Sa

PARIMAIID SAUNAEELAMUSI!



Mul on väga hea meel, et oled investeerinud Saunumi seadmesse, ning usun, et meie uudne tehnoloogia pakub Sulle positiivselt üllatusliku saunakogemuse.

Olen hariduselt soojusenergeetikainsener ning pärit Lõuna-Eestist, kus sai alguse minu armastus saunatamise vastu. Siinse suitsusauna eripära on madalam temperatuur ja kõrgem õhuniiskuse tase kui näiteks klassikalises Soome saunas. Tavalistes saunades on üldjuhul saunakerise kivimaht väike, mis tekitab valusalt kõrvetava äkilise leili ning ääretult ebaühtlase temperatuuri, kus pea ja õlgade kõrgusel on kuum, aga jalgadel jahe. See on üsna ebameeldiv, tekitab peavalu ning viib keha stressi. Kuid juba iidsetes suitsu- ja indiaani saunades köeti kõigepealt päeva jooksul kivid kuumaks ning seejärel kasutati neisse salvestunud soojust keha puhastuseks ja saunamõnude tõeliseks nautimiseks.

Inspireerituna suitsusauna kogemusest soovisin luua innovaatilise lahenduse, mis kasutaks autentse sauna parimaid omadusi tänapäevase tehnoloogia võtmes ning võimaldaks nauditavalt mahedat ja pikka saunatamist ilma valusalt kõrvetava leilita. Selleks tuli aga lahendada probleem, kuidas saavutada ühtlane temperatuur nii pea kui ka jalgade piirkonnas. Minu arendustööd toetas koos Tallinna Tehnikaülikooliga tehtud teadustöö, kus analüüsisime temperatuuri kihistumist ja õhu liikumist saunaruumis. Teadusliku mõtteviisi ja tehnoloogilise innovatsiooni koostöös sündiski Saunum.

Sa

Saunumi seadmete unikaalne patenteeritud õhukihtide segamise süsteem haarab saunaruumi lae alla tõusnud kuumaleili, segab selle põrandapinna jahedama õhuga ja suunab pehme temperatuuriga leili ühtlaselt tagasi. Nii ei ole soojust agressiivne. Sa saad istuda saunas pikemalt ning aktiivselt higistada ja puhastuda, tundmata seejuures väsimust. Ka meie keriste kivimaht on üldjuhul oluliselt suurem teistest levinud saunakeristest, mis on mõnusa sisekliima, pika ja pehme leili alus.

Niiske aurune saun, sanaarium, teraapiline soolasaun või tervislik aroomisaun – kõik need funktsioonid on erinevaid seadistusi kasutades Saunumi seadmetel olemas, et luua tõeliselt lõõgastav saunaelamus. Tarvitades meie seadmetes Himaalaja soolapalle, viib leiliaur õhuringlusesse, nahale ja hingamisteedesse kasulikke soolaioone. Lisades saunaruumi-süsteemi, mis segab tervislikult leiliauru ja aroomiõli, loodi veelgi nauditavama keskkonna.

Ja veel, Saunumi seadmetega saunad sobivad nii täiskasvanutele kui ka lastele.

Mõnusat saunatamist!

Andrus Vare
Saunumi looja ja idee autor

Sa

Sa

Saunum Saunas OÜ
tänab Teid
 innovatiivse saunakliima-
 seadme valimise eest!

SISUKORD

Ohutusteave _____	42
PAIGALDUSJUHIS	
Paigaldus _____	44
BASE / BASE Short mõõdud _____	45
BASE / BASE Short paigalduskaugused _____	46
BASE / BASE Short seadme osad _____	48
BASE S mõõdud _____	52
BASE paigalduskaugused _____	54
BASE S seadme osad _____	55
Elektriühendused _____	58
KASUTUSJUHIS	
Kasutusjuhise _____	62
Saunakliima reguleerimine _____	62
Seadme kasutamine _____	62
Himaalaja soolapallide kasutamine _____	63
Hoiatused _____	64
Hooldus ja remont _____	65
Garantiitingimused _____	66
Paigaldusprotokoll _____	67



Sa

Käesolev paigaldus- ja kasutusjuhend on mõeldud sauna omanikule või hooldajale, samuti saunakliimaseadme paigaldamise eest vastutavale elektrikule. Peale saunakliimaseadme paigaldamist tuleb juhend üle anda omanikule või hooldajale. Enne Saunumi saunakliimaseadme BASE, BASE Short või BASE S kasutamist tuleb tutvuda paigaldus- ja ohutusjuhendiga.

Saunum Saunas OÜ sauna leiliruumi kliimaseadet **BASE / BASE Short / BASE S** (edaspidi: „seade“) ei tohi kasutusele võtta enne paigaldus- ja ohutusjuhendi läbilugemist!

Seade on ette nähtud sauna leiliruumi õhukihtide segamiseks ja sauna sisekliima temperatuuride ühtlustamiseks ning lisavõimalusena komplektis olevatest Himaalaja soolapallidest soolaioonide eraldamiseks ruumi siseõhku. Seadmes asuv spetsiaalne ventilaator tekitab õhuvoolu, mis segamise teel ühtlustab soojaks kõetud leiliruumi erinevate temperatuuridega ülemised ja alumised õhukihi ning muudab leili mahedaks ja ühtlaseks.

NB! Saunakliimaseadet koos kerisega on keelatud kasutada üle 100 °C!

NB! Seadme kasutamine muuks otstarbeks on keelatud!

Sa

Veenduge, et teil ei ole allergiat ega vastunäidustusi soolasele keskkonnale. Meditsiiniliste vastunäidustuste korral konsulteerige arstiga.

Saunum Saunas OÜ ei vastuta erinevate kõrvalmõjude eest seadme kasutaja tervisele. Himaalaja soolapallide kasutamine seadmes on vabatahtlik lisafunktsioon ja ei mõjuta seadme tööd leiliruumi kliima ühtlustamisel.

Vähimagi kahtuse korral tervisele võib soolapallid alusrestilt eemaldada ning kasutada seadet ainult õhukihtide segamiseks.

ETTEVAATUST! Saunakliimaseadet on lubatud käivitada ainult leilivõtmise ajaks. Sauna üleskütmisel ja leilivõtmise vahetel peab saunakliimaseade olema välja lülitatud!

Seadme korpusele ja ventilatsioonivõlvale ei tohi valada vett, samuti ei tohi seadet kasutada ruumides, mille põrandal voolab vesi või on võimalus põlevate/plahvatusohtlike gaaside õhku lekkimiseks.

Seadet ei tohi kasutada, kui selle korpuse detailid on eemaldatud ja/või elektriskeemi on muudetud. Lapsed ei tohi pääseda seadme juurde ja seadmega mängima. Lapsed ei tohi seadet puhastada.

Seadme paigalduse peab teostama vastava elektritööde kvalifikatsiooniga isik. Seade tuleb ühendada kohtkindlalt keskkonna temperatuuritingimustele vastava kaabliga. Seadme ühendusklemmidele tuleb ühendada kaitsemaandus (PE) vähemalt 1,5 mm² juhtmesoonega. Seadme toide tuleb võtta toiteahelast, mis on kaitstud liigvoolu- ja rikkevoolukaitsmetega. Toitepinge: 230 V – 50/60 Hz; võimsus: 75 W.

ETTEVAATUST! Enne seadme hooldamist ja puhastamist tuleb seadme vooluahel vooluvõrgust lahutada ja oodata seadme liikuvate osade täieliku seiskumiseni.

ETTEVAATUST! Seadme korpusel esineb teravaid nurki ja servi, mille vastu võib ennast ettevaatamatuse tõttu vigastada.

ETTEVAATUST! Saunakliimaseade tuleb paigaldada nii, et väljapuhkeava ei oleks suunatud kerisele.

TRANSPORT JA LADUSTAMINE

Seade on tootja poolt pakendatud viisil, mis tagab seadme säilimise normaalsete transportitingimuste järgimise korral. Vältida tuleb seadme kukkumist ja loopimist ning ladustamist raskete kaupade alla. Seadmete ladustamiseks kasutada kuivi ja ilmastiku mõjude eest kaitstud ruume.

Sa

PAIGALDUS

NB! Enne paigaldustööde algust tutvuge ohutusteabega (vaata lk 42–43)!

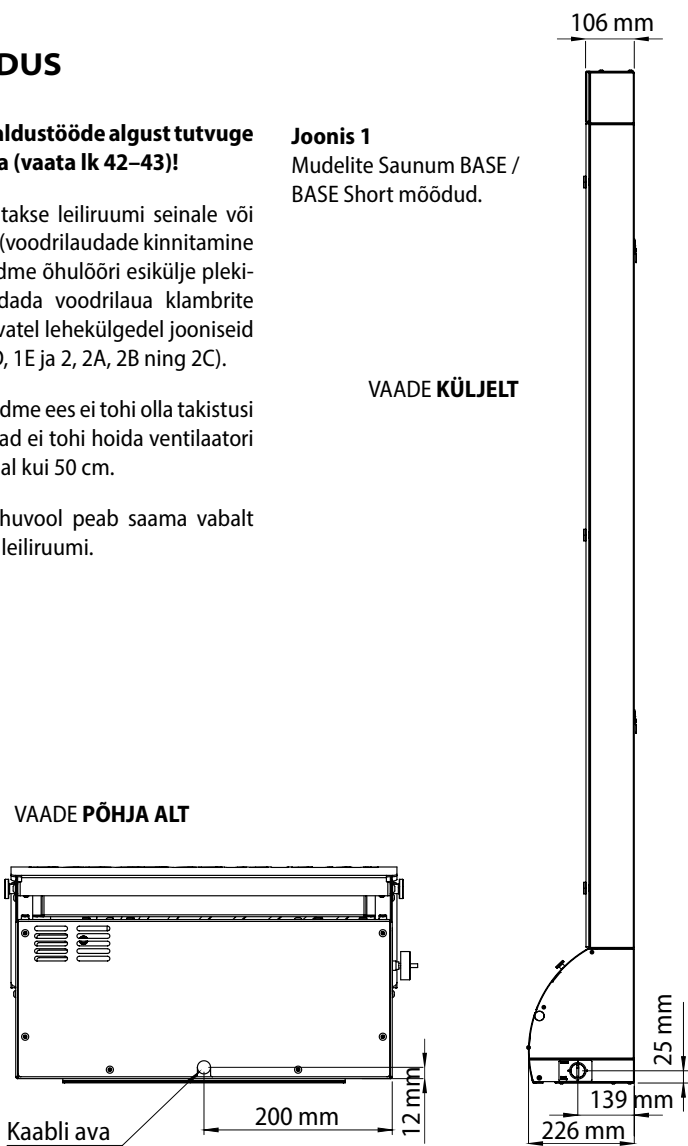
Seade paigaldatakse leiliruumi seinale või sisevoodri taha (voodrilaudade kinnitamine seinasisese seadme õhulööri esikülje plekile tuleb lahendada voodrilaua klambrite abil) (vt. järgnevatel lehekülgedel jooniseid 1, 1A, 1B, 1C, 1D, 1E ja 2, 2A, 2B ning 2C).

Ventilaatori suudme ees ei tohi olla takistusi ja saunakasutajad ei tohi hoida ventilaatori ees jalgu lähemal kui 50 cm.

Väljapuhutav õhuvool peab saama vabalt levida üle kogu leiliruumi.

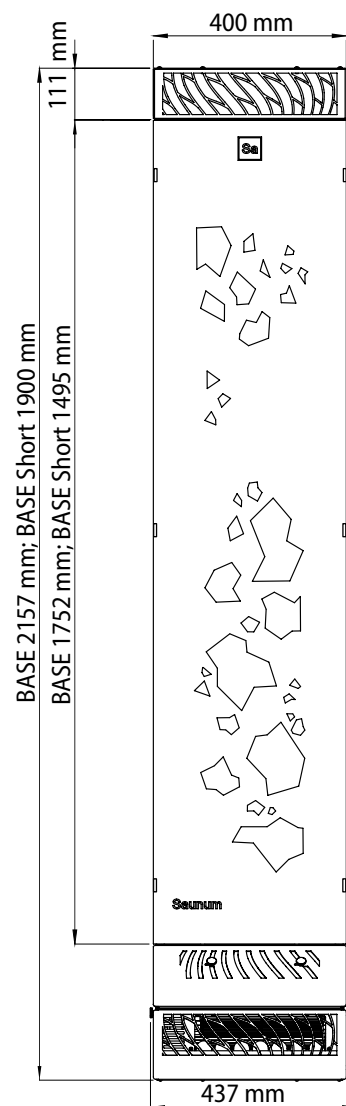
Joonis 1

Mudelite Saunum BASE / BASE Short mõõdud.

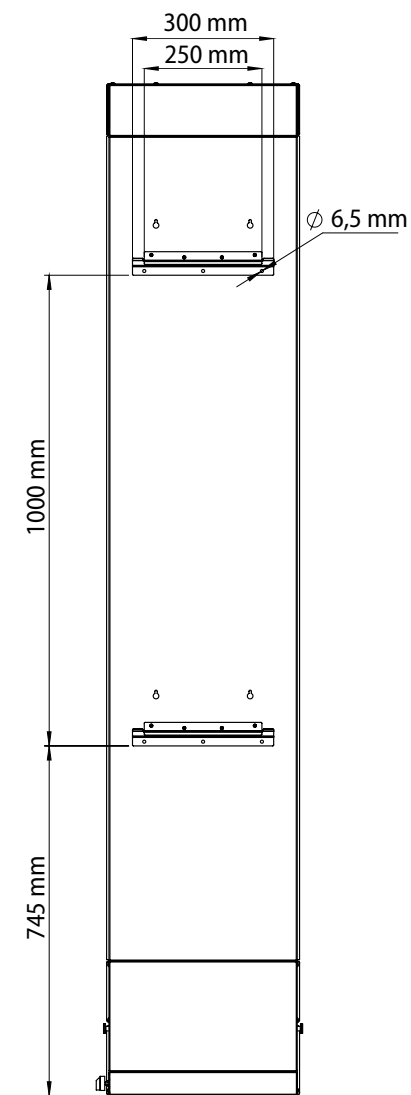


Sa

VAABE EEST

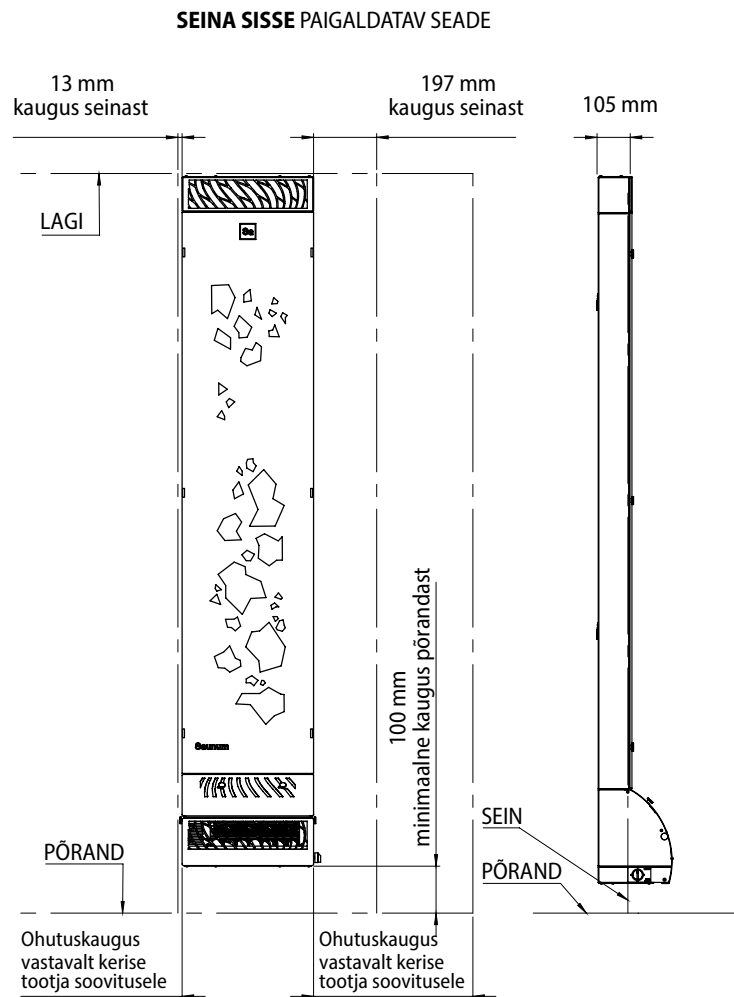


VAABE TAGANT



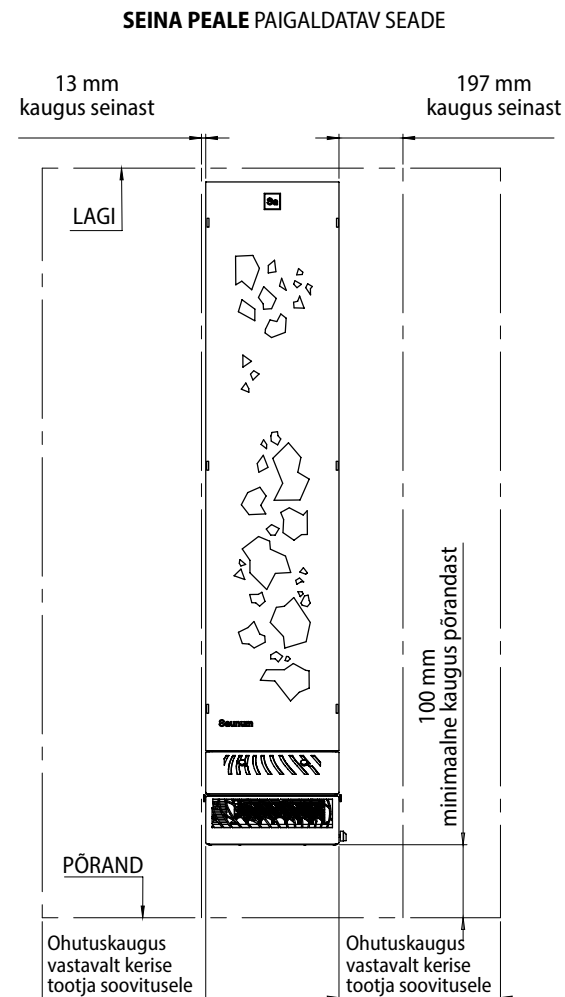
Sa

Joonis 1A – Mudelite Saunum BASE / BASE Short paigalduskaugused.



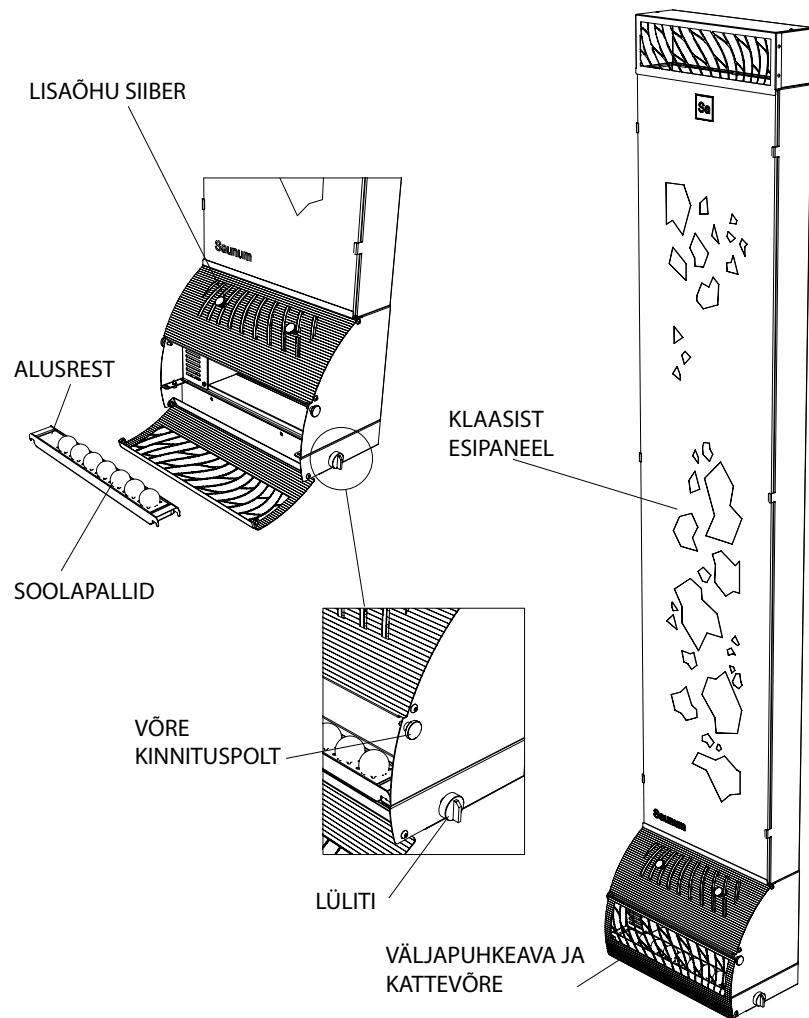
Sa

Joonis 1B – Mudelite Saunum BASE / BASE Short paigalduskaugused.



Sa

Joonis 1C – Mudelite Saunum BASE / BASE Short seadme osad.

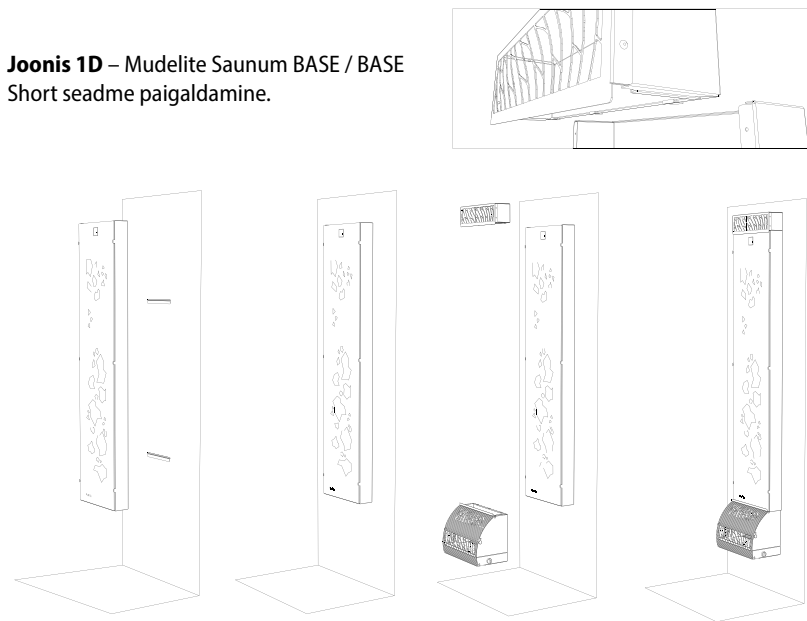


Sa

Seade töötab kõige efektiivsemalt, kui selle ülemise ventilatsiooniava serv on leiliruumi lae vastas (kaitsevõrega mudelil). Kui seade on ilma ülemise kaitsevõreta, siis tuleb seade paigaldada nii, et selle ülaserv jääks laest 80–100 mm madalamale. Alumine serv ei tohi olla põrandale lähemal kui 100 mm, et vältida põrandal oleva vee sattumist seadme elektriühendustele.

Seade on ette nähtud seinale paigaldamiseks komplektis olevate riputusliistude abil. Seadme paigalduskohas peab sein taluma seadme raskust vähemalt 35 kg ja võimaldama komplektis olevaid riputusliiste kruvidega kinnitada. Riputusliistud kinnitatakse leiliruumi seinale, igaüks vähemalt kahe kruviga. Seade tõstetakse seejärel seinale nii, et nii ülemised kui ka alumised liistud libiseksid seadme tagaküljele kinnitatud liistude vahele.

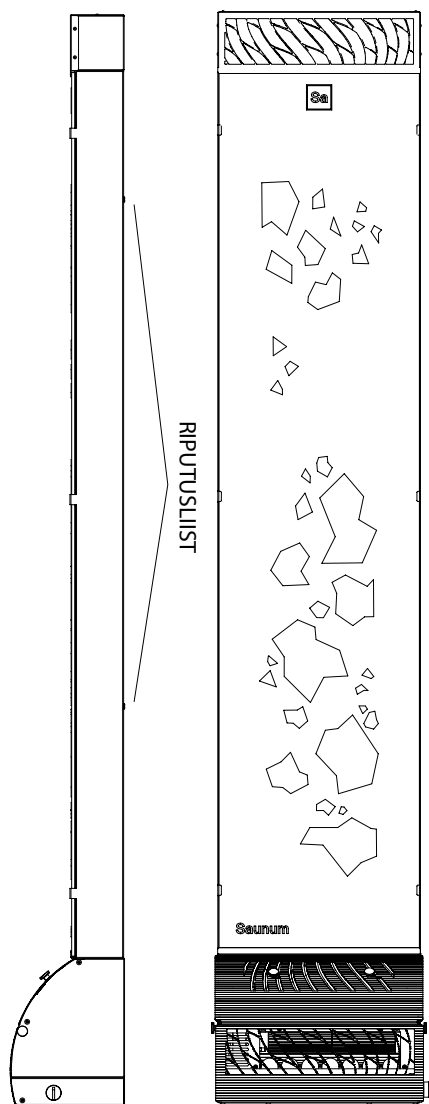
Joonis 1D – Mudelite Saunum BASE / BASE Short seadme paigaldamine.



Sa

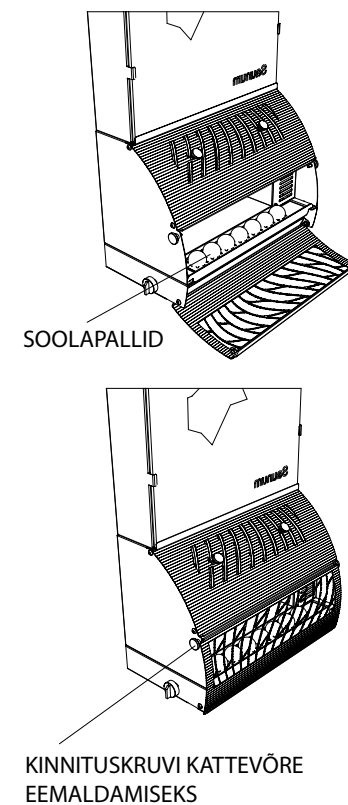
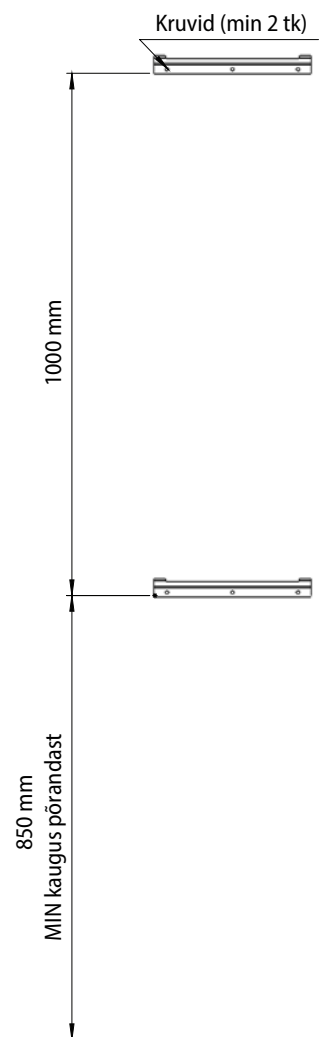
Joonis 1E – Mudelite Saunum BASE/ BASE Short seadme soovituslik paigaldamine riputusliistuga.

1. Paigaldage seadmega kaasas olevad liistud seinale. Vajadusel kasutage tüübleid.
2. Riputage seade seinale paigaldatud liistudele. Jälgige, et seadme taga asuvad aasad toetuksid võrdset mõlemale liistule. (Vajadusel kasutage loodlauda, kindlustamaks, et seade oleks loodis.)
3. Kontrollige, et seadmel ei esineks väli-seid vigastusi. Seadme kasutamine vigastuste korral on keelatud!



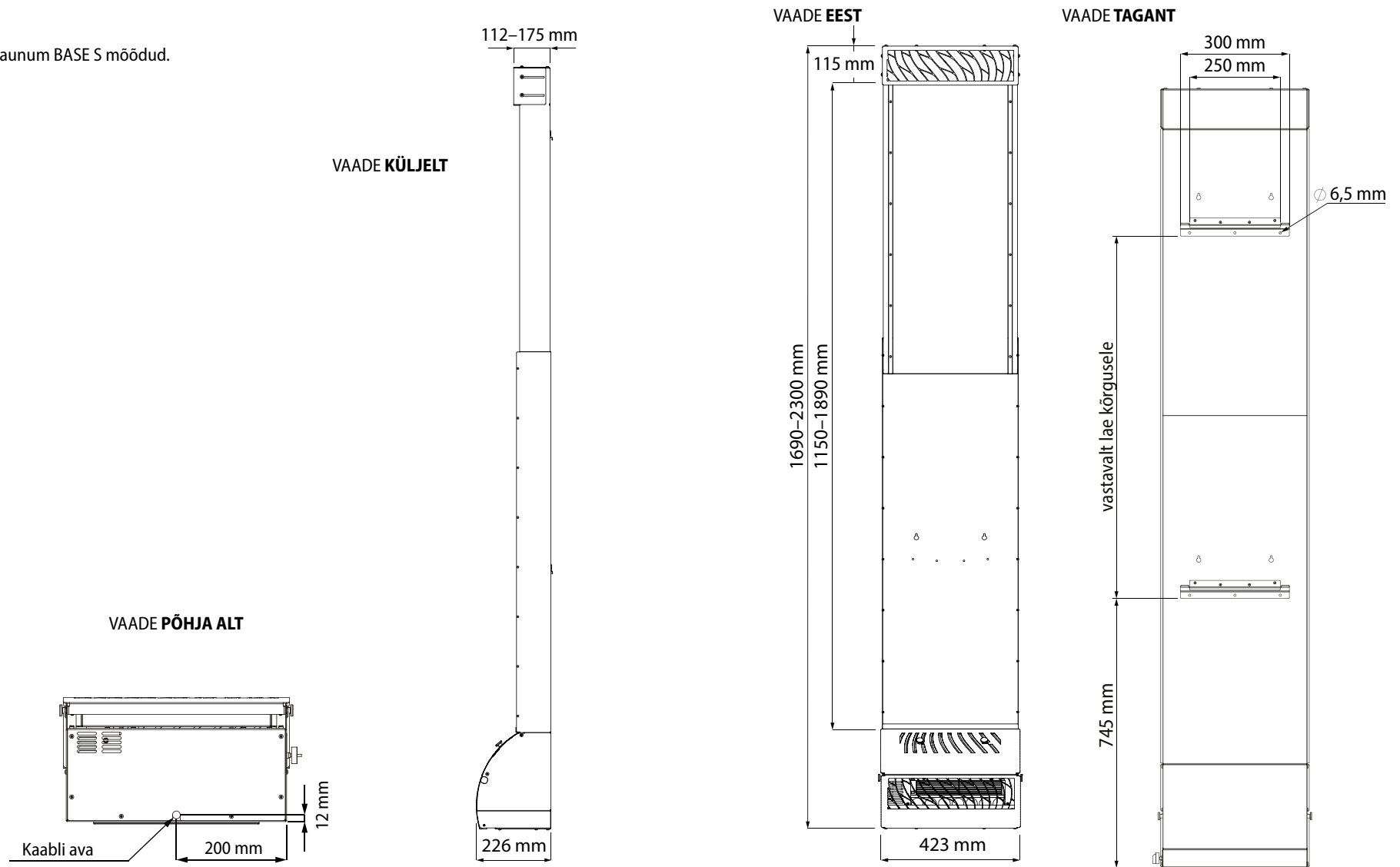
Sa

4. Paigaldage soolapallid. Soolapallid asetatakse seadmesse pärast selle paigaldamist seinale. Pallide paigaldamiseks tuleb avada alumine võre, eemaldades kaks käega keeratavat polti, ning asetada pallid oma pesadesse pallide alusrestil.



Sa

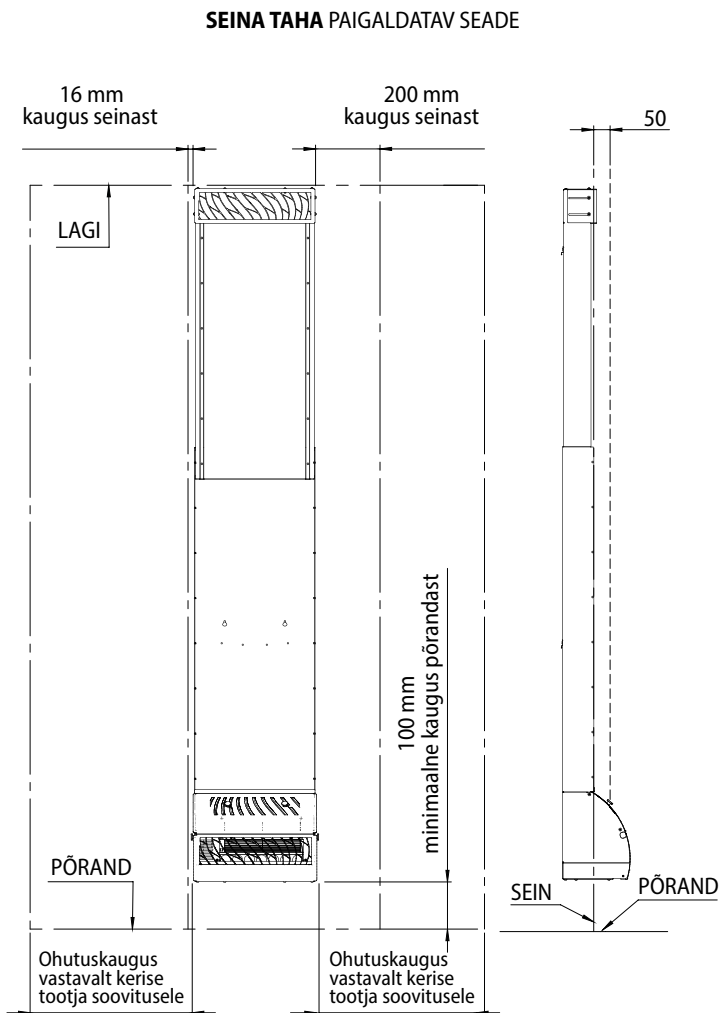
Joonis 2
Mudeli Saunum BASE S mõõdud.



Sa

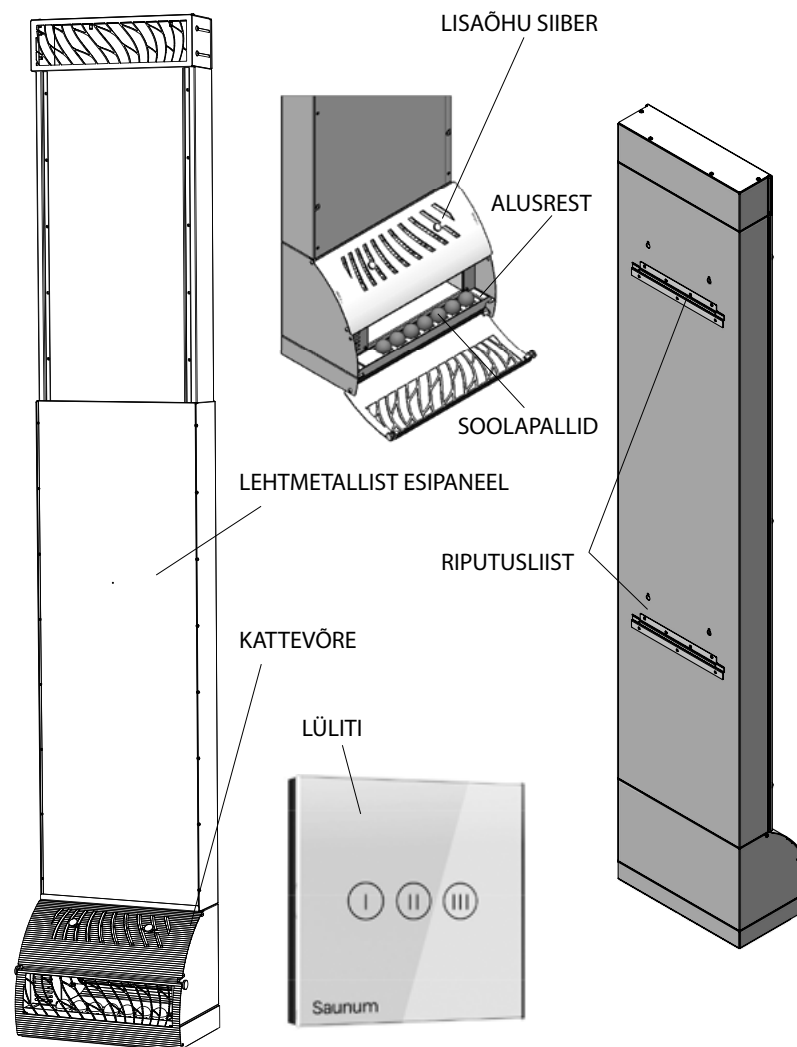
Sa

Joonis 2A – Mudeli Saunum BASE S paigalduskaugused.



Sa

Joonis 2B – Mudeli Saunum BASE S seadme osad.

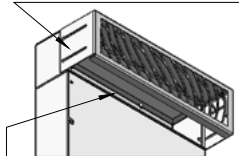


Sa

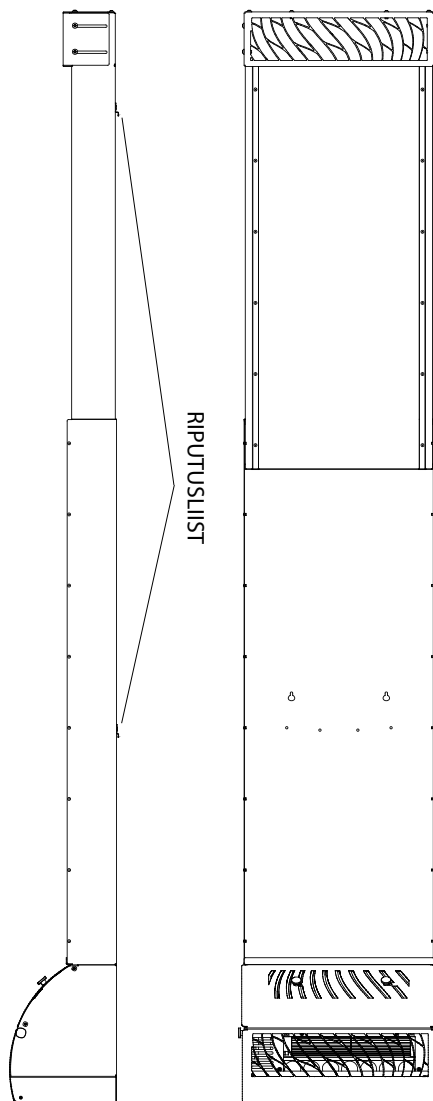
Joonis 2C – Mudeli Saunum BASE S seadme soovituslik paigaldamine riputusliistuga.

1. Paigaldage seadmega kaasas olevad liistud seinale. Vajadusel kasutage tüübleid.
2. Riputage seade seinale paigaldatud liistudele. Jälgige, et seadme taga asuvad aasad toetuksid võrdset mõlemale liistule. (Vajadusel kasutage loodlauda, kindlustamaks, et seade oleks loodis.)
3. Kontrollige, et seadmel ei esineks väli-seid vigastusi. Seadme kasutamine vigastuste korral on keelatud!
4. Enne seadme kasutuselevõttu katta lahtised avaused, kasutades selle jaoks ettenähtud alumiiniumteipi.

Reguleerivad kübara külgedel ja peal

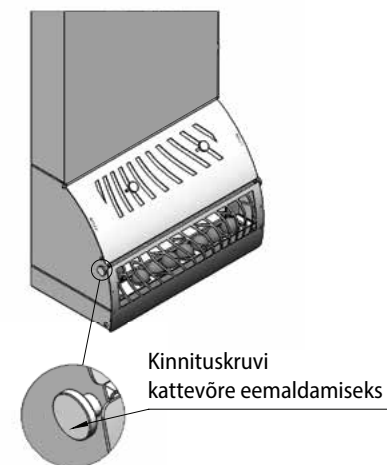
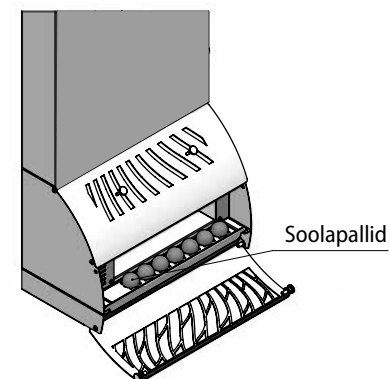
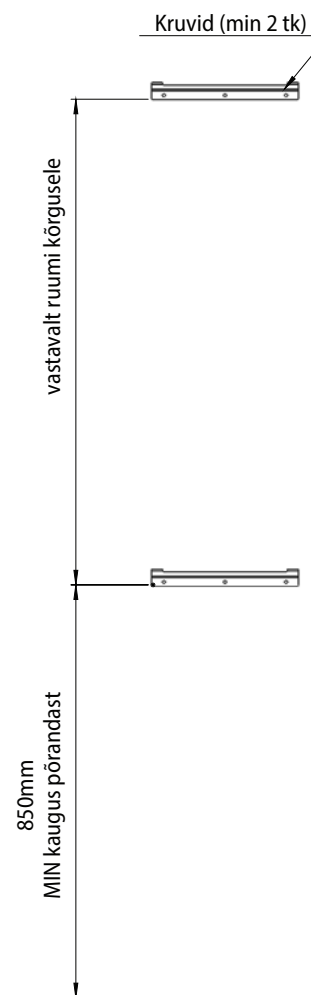


Avaus kübara all pärast teleskoopkübara seadistamist



Sa

5. Paigaldage soolapallid. Soolapallid asetatakse seadmesse pärast selle paigaldamist seinale. Pallide paigaldamiseks tuleb avada alumine võre, eemaldades kaks käega keeratavat polti, ning asetada pallid oma pesadesse pallide alusrestil.



Sa

ELEKTRIÜHENDUSED

TÄHELEPANU! Seadme elektriühenduse peab teostama kutseline elektrik vastavalt kehtivatele standarditele ja nõuetele.

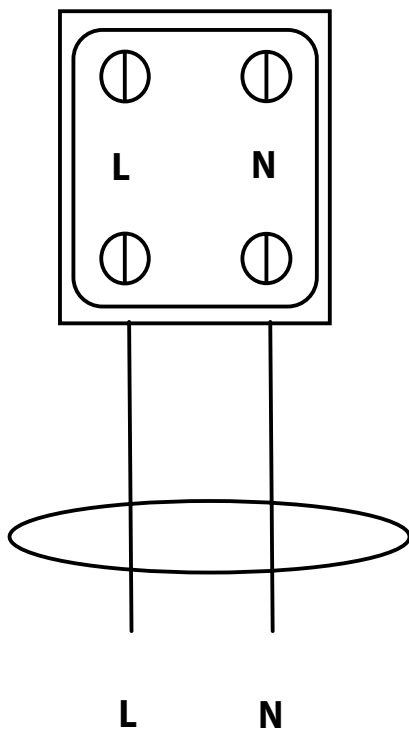
Seade tuleb ühendada kohtkindlalt keskkonna temperatuuritingimustele vastava kaabliga kruviklemmi abil vastavalt käesolevas juhendis toodud elektriühenduse skeemidele (järgnevatel lehekülgedel joonised 3, 3A, 4, 5 ja 6).

Kaabli välisläbimõõt ei tohi ületada 10 mm. Seadme ühendusklemmidele tuleb ühendada kaitsemaandus (PE) vähemalt 1,5 mm² juhtmesoonega. Seadme toide tuleb võtta 230 VAC 50/60 Hz toiteahelast, mis on kaitsitud C2 liigvoolukaitsmega, samuti peab seadme toiteahel olema varustatud rikkevoolukaitsmega, et tagada inimeste ohutus leiliruumis.

Seadme valgustus tuleb ühendada kas välise lülitiga juhtimisega või sisemise lülitiga juhtimisega. Välise valgustüliti toiteahel tuleb samuti varustada rikke- ja liigvoolukaitsmetega.

Seadme valgustuse ja ventilaatori ahelad ühendatakse välise lülititega, mille toiteahelad on varustatud rikke- ja liigvoolukaitsmetega. Toitekaabel peab siseneda seadme korpusesse vertikaalselt altpoolt, vältimaks vee valgumist seadme korpusesse piki kaablit. Kaabli välisisolatsiooni võib maha koorida ainult seadme korpuse sisse ulatavas osas.

Joonis 3 – Toitekaabli ühendamine sisemise ventilaatori kiiruselülitiga varustatud seadmel.



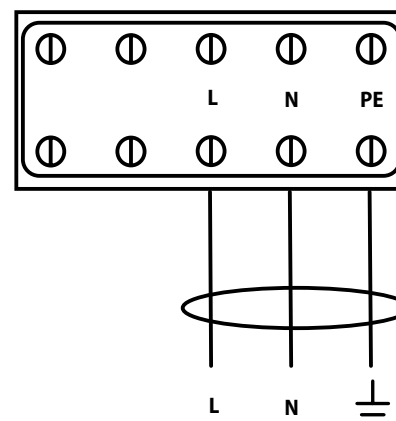
Ühendus ainult valgustusega seadmel välise valgustüliti puhul!

NB! Ühendused teostada vastavalt seadme elektriskeemis toodud juhistele.

NB! Ühendada ainult läbi rikkevoolu- ja liigvoolukaitsmete!

Sa

Joonis 3A – Toitekaabli ühendamine sisemise ventilaatori kiiruselülitiga varustatud seadmel. Seadme põhitoide.



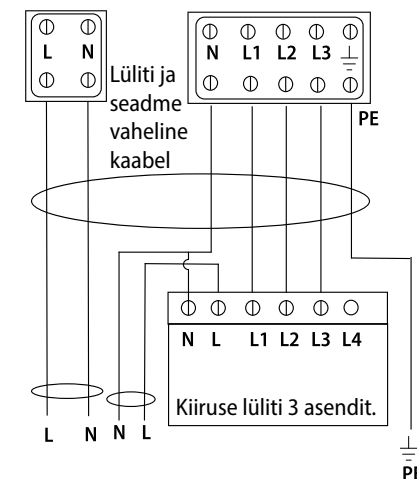
NB! Ühendada ainult läbi rikkevoolu- ja liigvoolukaitsmete!

Kasutatav toitekaabel peab olema ette nähtud kohtkindla elektripaigaldise teostamiseks ja vastama leiliruumi elektripaigaldisele esitatavatele nõuetele. Toitekaabli soone ristlõige peab olema 1,5–2,5 mm².

Toitekaabel sisestada seadme põhja all paikneva ava kaudu vastavalt paigaldusjuhendile.

Toitekaabel ei tohi jääda leiliruumi pörandale vedelema.

Joonis 4 – Toitekaabli ühendamine välimise ventilaatori kiiruselülitiga varustatud seadmel.



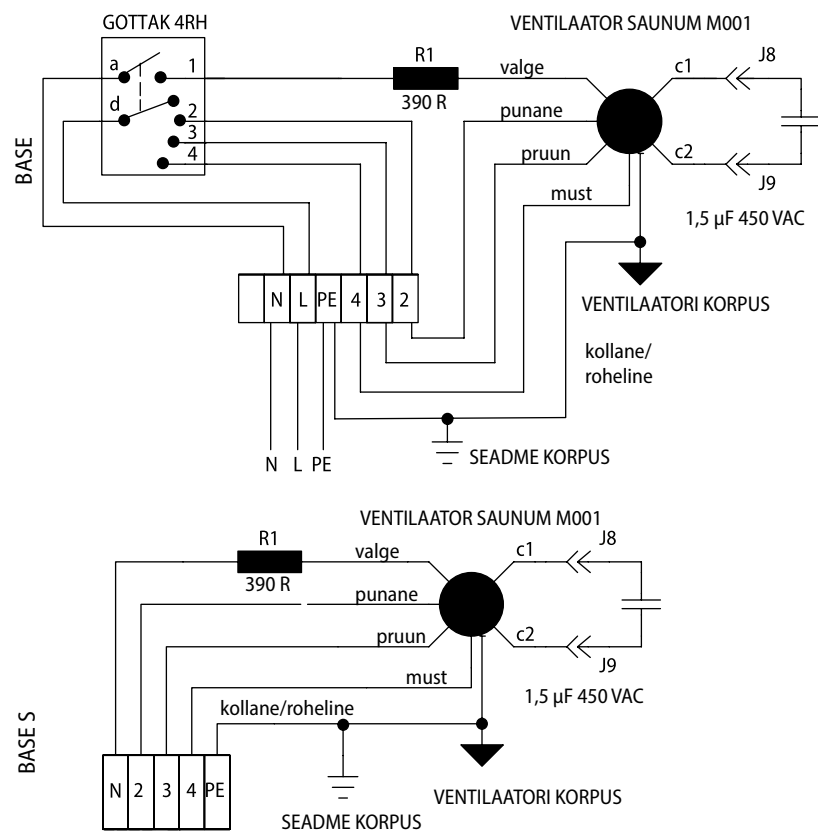
NB! Ühendada ainult läbi rikkevoolu- ja liigvoolukaitsmete!

Ventilaatori toide. NB! Ühendada ainult läbi rikkevoolu- ja liigvoolukaitsmete!

NB! Ühendused teostada vastavalt seadme elektriskeemis toodud juhistele.

Sa

Joonis 5 – Elektriskeem: Seade, lülitita, valgustusega.

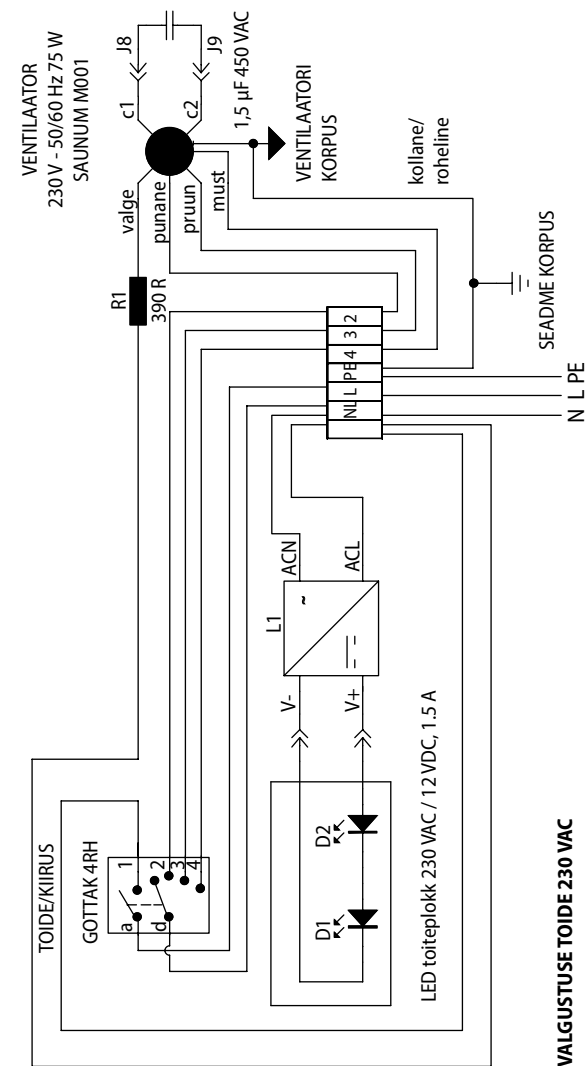
**TOIDE/KIIRUS**

230 VAC VENTILAATORI TOITE SISENDKLEMM

NB! LUBATUD ÜHENDADA AINULT LÄBI KAITSEAUTOMAATIKASEADME!

Sa

Joonis 6 – Elektriskeem: Seade, valgustusega ja lülitiga.



VALGUSTUSE TOIDE 230 VAC

TOIDE/KIIRUS

230VAC VENTILAATORI TOITE SISENDKLEMM

NB! LUBATUD ÜHENDADA AINULT LÄBI KAITSEAUTOMAATIKASEADME!

Sa

KASUTUSJUHISED

Seade on ette nähtud leiliruumi kliima ühtlustamiseks leilivõtmise ajal.

Enne seadme esmakordset kasutamist tuleb kontrollida:

- Elektriühenduste vastavust nõuetele.
- Toitepinge vastavust seadmele lubatud nominaalidele.
- Maandusjuhtme (PE) korrasolekut.
- Seadme korpuse kinnitusi.
- Seadme kinnitust seinale.
- Liigvoolu- ja rikkevoolukaitsmete korrasolekut/olemasolu.
- Ventilatori rootori takistusteta pöörlemist.
- Paigalduse käigus kasutatud tööriistade ja materjalijääkide eemaldamist seadme korpusest.

Seadme käivitamisel kontrollida:

- Õhuvoolu suunda – õhu sissevõtt ülemisest ning väljapuhe alumisest avast.
- Et ventilatori töötamisel ei tekiks vibratsiooni või liiga ebanormaalset müra.
- LED-iga seadme puhul valgustuse stabiilsust.

SAUNAKLIIMA REGULEERIMINE

Seadme tekitatavat õhuringluse mahtu reguleeritakse pöördlülitist, mis paikneb seadme paremal küljel, alumises osas.

Lülitil on neli asendit ning seda võib pöörata nii päri- kui ka vastupäeva. Lülitil nupul oleva kriipsu osutamisel vasakule on seadme ventilator välja lülitatud. Õhuvoolu kiirus suureneb lülitit päripäeva keerates, valida võib kolme kiiruse vahel.

Leiliruumi õhutemperatuuri reguleerimiseks on seadme esipaneelil alumises osas leiliõhu jahutussiiber (vaata joonis 1C ja 2B). Soovitav seadistus on jahutussiibrit 1/3 ulatuses avatuna hoida. Leiliauru jahutamiseks proovige siibrit vähehaaval avada. Proovige kasutada erinevaid ventilatori kiiruseid, et leida oma saunale sobivaim sisekliima.

SEADME KASUTAMINE

Seade tuleb sisse lülitada vahetult enne leiliruumi sisenemist ja välja lülitada kohe peale leiliruumist lahkumist. Ei ole lubatud kasutada seadet sisselülitatuna leiliruumi kütmise ajal, kuna seadme pideval töötamisel tõuseb leiliruumi alumise osa temperatuur ning lava ja põrand võivad minna liiga tuliseks.

Sa

HIMAALAJA SOOLAPALLIDE KASUTAMINE

Saunakliimaseadmega on komplektis Himaalaja soolast pallid. Soolapallide kasutamine seadmes on vabatahtlik ega mõjuta seadme põhifunktsiooni.

Soolapallide kasutamiseks tuleb need paigaldada õhu väljapuhkevõre ning ventilatori vahelisel alal olevatesse pesadesse. Veenduge, et soolapallid on paigaldatud korrektselt ning need ei takista ventilatori pöörlemist.

Soolapallide paigaldamiseks (vaata joonis 1D ja 2C) või eemaldamiseks avada väljapuhkevõre kaks kinnituskruvi ja pöörata võre hingede peal alla. Ülemäära jõudu mitte kasutada! Pärast soolapallide paigaldamist või eemaldamist sulgeda väljapuhkevõre ja kinnitada see uuesti kahe poldi abil.

Saunakliimaseadet tohib kasutada ainult koos võrega!

Seadme pikaealisuse tagamiseks jälgige, et leiliruumi temperatuur seadme alumise osa kõrgusel ei ületaks 80 °C. Selle ületamisel rakendub termokaitse ja ventilator seiskub, temperatuuri lange-misel allapoole kaitse rakendumispiiri hakkab ventilator taas tööle.

Tootja ei vastuta seadme rikete eest, mis on põhjustatud lubatud kasutustemperatuuri ületamisest.

Kui Teie seadmel on sisevalgustus, siis seadme sisselülitamisel käivitub koos ventilatoriga samaaegselt ka seadme valgustus (vaata tähistust seadme pakendilt).

Kui Teie tellitud seade on seinä sisse süvistatav ning on kiiruste juhtimiseks varustatud välimise puutetundliku lülitiga, siis tuleb silmas pidada järgmisi nõudeid:

- Välimise kiiruste lülitit võib paigaldada ainult väljapoole leili- ja pesuruumi, näiteks riietusruumi, soovitatavalt ukse kõrvale, et oleks mugav seadet sisse ja välja lülitada.
- Õhuvoolu intensiivsuse valikuks on lülitil kolm asendit. Seade lülitub sisse või välja soovitud kiiruse puutetundlikul alal sõrme peal hoides.
- Kiiruste valimiseks puudutada vastavat ala.
- Kui seadmel on sisemine valgustus, siis selle lülitamiseks tuleb kasutada eraldi lülitit (lisavarustus).

Sa

HOIATUSED

- Pikka aega leiliruumis viibimine tõstab kehatemperatuuri, mis võib olla tervisele ohtlik!
- Ärge jätke lapsi, vaegureid või haigeid leiliruumi järelevalveta!
- Konsulteerige arstiga meditsiiniliste vastunäidustuste osas leilivõtmisele!
- Konsulteerige arstiga meditsiiniliste vastunäidustuste osas soolaravile!
- Veenduge, et teil pole soolaravi suhtes allergiat. Saunum ei vastuta soolaravi kõrvalmõjude eest!
- Konsulteerige lastearstiga (perearstiga) laste leiliruumis viibimise osas!
- Olge saunas ja leiliruumis liikudes ettevaatlik, sest lava ja põrand võivad olla libedad!
- Ärge minge sauna alkoholi, ravimite või narkootikumide mõju all!
- Ärge magage kuumas leiliruumis!
- Mereõhk ja niiske kliima võivad kerise metallpindadele tekitada oksiidikihi (rooste)!
- Veenduge, et teil oleks leiliruumis korralik ventilatsioon. Saunum ei vastuta võimaliku soolast tekkiva

korrosiooni eest seadmetele ja tehnikale. Vajadusel konsulteerige spetsialistiga!

- Ärge riputage rätikuid ja riideid leiliruumi kuivama – see võib põhjustada tuleohtu!
- Ülemäärane niiskus võib kahjustada elektriseadmeid!

NB! Ärge jätke saunakliimaseadme ventilaatorit käima, kui te ise leiliruumis ei viibi – see põhjustab liigset energiakulu ning saunalava läheb liiga kuumaks!

Sa

HOOLDUS JA REMONT

ETTEVAATUST! Enne saunakliimaseadme hooldamist ja puhastamist tuleb seadme vooluahel vooluvõrgust katkestada ja oodata seadme liikuvate osade täieliku seiskumiseni.

Enne seadme hooldamist ja puhastamist veenduge, et:

- Seade on vooluvõrgust lahti ühendatud (lisaks seadme toitelülitile ka liigvoolukaitsmete abil).
- Seadme ventilaator on täielikult peatunud.
- Tööde teostamisel kasutatakse ettenähtud tööohutus- ja isikukaitsevahendeid.
- Ühenduskaablid on kahjustamata. Ühenduskaablite kahjustuste ilmnemisel tuleb enne hooldus- ja puhastustööde jätkamist lasta kaablid asendada vastava elektritööde kvalifikatsiooniga isiku poolt vastavalt kehtivatele standarditele ja nõuetele.

Seadme korpust võib puhastada veega niisutatud lapiga.

Mitte kasutada puhastamiseks survepesu ja voolavat vett! Mitte kasutada puhastamiseks keemilisi puhastusaineid ja lahusteid!

Liigne mustus võib ventilaatori rootori tasakaalust välja viia, millega omakorda kaasneb müra suurenemine seadme töötamisel.

Müra võib suurened ka ventilaatori labade kahjustamise/painutamise tagajärjel. Jälgige, et ventilaatori rootori tööpiirkonda ei satuks kõrvalisi esemeid.

Üldjuhul ei vaja ventilaator puhastamist sagedamini kui kord aastas. Ventilaatori puhastamisega peab tegelema ainult vastava kvalifikatsiooniga isik.

Ventilaatori puhastamiseks suruõhu kasutamine võib ventilaatori rootorit pöördumatult kahjustada!

Ventilaatori laagrid on hooldusvabad ning häirete puhul nende töös tuleb laagrid välja vahetada.

Jälgige, et saunakliimaseadme ventilaatori õhuavad ei oleks kõrvalisi esemeid. Seadme puhastamine ei ole mõeldud lastele.

Kui koos saunakliimaseadmega kasutatakse Himaalaja soolapalle, on soovitatav kord aastas kontrollida soolapallide kulumisastet (vaata jooniseid 1D ja 2C).

Kui pallide läbimõõt on vähenenud üle poole läbimõödust, on vajalik paigaldada uued soolapallid. Selleks tuleb seadmest eemaldada pallide konteiner ning pesta see voolava vee all soola jääkidest puhtaks. Seejärel paigaldada konteiner tagasi ning asetada oma pesadesse uued soolapallid.

Kõigi häirete puhul seadme ventilaatori ja valgustuse töös tuleb seadme kasutamine viivitamatult peatada ja lasta seade vastava kvalifikatsiooniga isikul üle vaadata.

Sa

SAUNUMI TOODETE ÜLDISED GARANTIINGIMUSED

Saunumi seadmete garantiiga tagab Saunum, et tootel ei esine ostukuupäevale järgneval kindlaksmääratud perioodil materjalidest ega koostekvaliteedist tingitud vigu. Juhul kui garantiiperioodi jooksul esineb seadmel mittekvaliteetsete materjalide kasutamise või koostekvaliteedi tõttu mõni viga, siis parandavad või asendavad Saunumi soovituslikud remondipartnerid seadme või selle vigase osa ilma töökulu ja varuosa eest tasu võtmata alltoodud tingimustel. Saunum jätab endale õiguse otsustada, kas vahetada vigane tootekomponent välja või asendada seade uuega. Vahetatud vigased tootekomponendid jäävad Saunumi omandiks.

Garantiitingimused:

1. Garantii kehtib ainult tingimusel, kui koos pretensiooniga esitatakse täidetud paigaldusprotokoll.
2. Seadme garantiiaeg erasaunas kasutamisel on kaks (2) aastat.
3. Seadme garantiiaeg üldkasutatavas saunas kasutamisel on üks (1) aasta.

Garantii alla ei kuulu:

1. Seadme korraline hooldus ja puhastus ning normaalsest kulu-

misest tulenev komponentide vahetus.

2. Seadme kohandamine või muutmine eesmärgiga tarvitada seda mõnel muul otstarbel, kui kasutusjuhendis märgitud.
3. Transpordist tulenevad riskid.
4. Kahjud, mis tulenevad seadme väärkasutusest.
5. Kahjud, mis tulenevad seadme mittenõuetekohasest paigaldamisest.
6. Seadme remont, mida ei ole teostanud Saunumi soovituslik remondipartner (hoolduspartner).
7. Õnnetusjuhtumid, välgulöök, vesi, tuli, ebaõige ventilatsioon või mõni muu Saunumi kontrollile mittealluv faktor.
8. Rikked, mille põhjuseks on Saunumi poolt mittesovitatavate soolapallide kasutamine.
9. Soolapallid.

Saunum Saunas OÜ soovituslikud paigaldajad ja hooldajad leiad Saunum Saunas OÜ kodulehelt www.saunum.com või võttes ühendust info@saunum.com.

Sa

Saunumi seadme hooldusjuhised on ära toodud seadme kasutusjuhendis.

NB! Saunakliimaseadme võib ühendada elektrivõrku vaid kutseline elektrik, järgides kehtivaid eeskirju.

Lugege kogu kasutusjuhend enne seadme kasutamist põhjalikult ja tähelepanelikult läbi ning hoidke seda tulevaste vajaduste tarbeks kindlas ja kergesti ligipääsetavas kohas.

PAIGALDUSPROTOKOLL

Ostukuupäev: _____

Kerise tüüp: _____

Kleebis/seerianumber: _____

Paigalduse koht: _____

Paigalduse kuupäev: _____

Paigaldaja: _____

Kontrollitud: _____

Kuupäev, allkiri: _____

Teostatud tööde kirjeldus: _____

Paigalduseks on olemas kõik detailid _____

Puuduvad värvidefektid ja mõlgid _____

Paigaldatud seinale või põrandale vastavalt juhendile _____

Elektriühendused on tehtud vastavalt paigaldusjuhendile _____

Ventilaatori kolm astet töötavad / õiges järjekorras _____

Märkused: _____

Kliendi kontakt (nimi, e-post): _____

Töö vastu võetud: _____

Garantii alguse kuupäev: _____

TÄIDAB KLIENT



EL vastavusdeklaratsioon

Tootja Saunum Saunas OÜ

Address: Läike tee 2-4

75312 Peetri, Eesti

tõendab, et toode

Saunakliimaseade
Saunum BASE / BASE Short / BASE S

on vastavuses järgmiste Euroopa Parlamendi ja nõukogu direktiivide nõuetega tingimustel, et paigaldus on teostatud vastavalt seadmete tootja poolt välja antud paigaldusjuhendile ja juhendile EN 60 204-1 „Masinate ohutus. Masinate elektriseadmed – Osa 1: Üldnõuded“:

Masinadirektiiv 2006/42/EÜ

Madalpingedirektiiv 2014/35/EL

Elektromagnetilise ühilduvuse direktiiv 2014/30/EL.

RUS

ИНСТРУКЦИЯ ПО МОНТАЖУ И ЭКСПЛУАТАЦИИ

Sa

Saunum

Климатическая установка для сауны

Saunum BASE / BASE Short / BASE S

Sa

НАИЛУЧШИХ ВПЕЧАТЛЕНИЙ ОТ САУНЫ!

Я очень рад, что вы приобрели оборудование Saunium, и уверен, что наша новая технология приятно поразит вас неожиданными впечатлениями от использования сауны.

Я по образованию инженер по теплоэнергетике и родом из Южной Эстонии, где берет начало моя любовь к бане и сауне. Местная черная баня отличается более низкой температурой и более высоким уровнем влажности, чем, например, в классической финской сауне. В обычных саунах объем камней каменки, как правило, невелик, из-за чего пар получается обжигающим и резким, а температура – неравномерной, когда воздух на уровне головы и плеч горячий, а в ногах – прохладный. Это довольно неприятно, вызывает головные боли и приводит к стрессу организма. Уже в древних черных и индейских банях сначала в течение дня накаляли камни, а затем аккумулированное в них тепло использовали для очищения тела и наслаждения банными процедурами.

Вдохновленный опытом походов в черную баню, я хотел создать инновационное решение, в котором использовались бы лучшие свойства аутентичной бани в сочетании с современными технологиями, обеспечивающими продолжительные приятные ощущения без болезненно обжигающего пара. Однако для этого нужно было добиться равномерной температуры как в области головы, так и в области ног. Мои разработки были поддержаны исследовательской работой, проведенной совместно с Таллинским техническим университетом, в ходе которой мы проанализировали температурное расслоение и движение воздуха в помещении сауны. В результате сотрудничества научного мышления и технологических инноваций и родилась марка Saunium.



Sa

Уникальная запатентованная система смешивания слоев воздуха в устройствах Saunium захватывает поднявшийся под потолок сауны горячий пар, смешивает его с более прохладным воздухом у поверхности пола и равномерно распределяет пар комфортной температуры. Это позволяет теплу не быть агрессивным. Вы можете долго сидеть в сауне, активно потеть и очищать организм, не чувствуя при этом усталости. Объем камней в наших каменках, как правило, значительно больше, чем в других распространенных каменках, что создает приятный микроклимат в сауне и продолжительный мягкий пар.

Сауна с влажным паром, санариум, терапевтическая соляная сауна или оздоровительная ароматическая сауна – все эти функции доступны в настройках устройств Saunium, чтобы создать по-настоящему расслабляющий эффект. Применение в наших устройствах шариков гималайской соли позволяет полезным ионам соли с паром попадать в циркулирующий воздух, оказывая благоприятное воздействие на кожу и дыхательные пути. Добавление аромасистемы, смешивающей пар с ароматическим маслом, создает в сауне еще более приятную атмосферу.

Сауны с оборудованием Saunium подходят как взрослым, так и детям.

Приятного посещения сауны!

Андрус Варе
Создатель и автор идеи Saunium



Saunum Saunas OÜ
благодарит вас
 за выбор инновационной
 климатической установки
 для сауны!



СОДЕРЖАНИЕ

Указания по технике безопасности _____	74
ИНСТРУКЦИЯ ПО МОНТАЖУ	
Монтаж _____	76
Размеры моделей Saunum BASE / BASE Short _____	77
Монтажные расстояния для модели Saunum BASE/BASE Short _____	78
Детали устройства Saunum BASE / BASE Short _____	80
Монтаж модели Saunum BASE / BASE Short _____	81
Размеры модели Saunum BASE S _____	84
Монтажные расстояния для модели Saunum BASE S _____	86
Детали устройства Saunum BASE S _____	87
Электрические соединения _____	90
ИНСТРУКЦИЯ ПО ЭКСПЛУАТАЦИИ	
Инструкция по эксплуатации _____	94
Регулировка климата в парном помещении сауны _____	94
Эксплуатация устройства _____	95
Использование шариков гималайской соли _____	96
Меры предосторожности _____	96
Обслуживание и ремонт _____	97
Гарантия _____	98
Протокол монтажа _____	100

Sa

Настоящая инструкция по монтажу и эксплуатации предназначена для владельцев сауны или технических специалистов, а также для электриков, осуществляющих монтаж климатической установки в помещении сауны. После монтажа климатической установки инструкцию следует передать собственнику или техническому специалисту. Перед использованием устройства Saunum BASE, BASE Short или BASE S необходимо ознакомиться с инструкцией по монтажу и эксплуатации.

Климатической установкой для парного помещения сауны **BASE / BASE Short / BASE S** производства компании Saunum Group OÜ (далее — Устройство) запрещено пользоваться, не ознакомившись предварительно с инструкцией по монтажу и указаниям по технике безопасности!

Устройство предназначено для смешивания слоев воздуха в парном помещении сауны, для выравнивания температур внутри сауны. В качестве дополнительной функции устройство предлагает насыщение воздуха ионами соли из шариков гималайской соли, входящих в комплект и размещенных внутри устройства. В устройстве установлен специальный вентилятор, который создает воздушный поток,

смешивающий верхние и нижние слои воздуха с разными температурами в нагретой сауне. Таким образом поток смягчает пар и выравнивает его температуру.

Внимание! Климатическую установку для сауны запрещено использовать при температуре каменки выше 100 °С.

Внимание! Использование устройства в целях, отличных от указанных, запрещено!

Убедитесь, что у вас нет аллергии и противопоказаний к соленой среде. В случае медицинских противопоказаний проконсультируйтесь с врачом.

Saunum Group OÜ не несет ответственности за различные побочные действия на здоровье пользователя устройства. Использование шариков гималайской соли в устройстве является дополнительной функцией, использование которой не обязательно, и отказ от ее использования не влияет на работу устройства по выравниванию климата.

При возникновении сомнений в их влиянии на здоровье шарики соли можно убрать с нижней решетки и использовать устройство только для смешивания воздушных слоев.

Sa

ОСТОРОЖНО! Климатическую установку разрешено включать только на время использования парного помещения. Во время нагрева бани и в перерывах между использованием парного помещения устройство должно быть выключено!

Запрещается лить воду на корпус устройства и его вентиляционные отверстия. Кроме этого, устройство нельзя использовать в помещениях, где по полу может течь вода и возможна утечка горючих/взрывоопасных газов.

Устройство запрещено использовать, если сняты детали его корпуса или внесены изменения в микросхемы. Не допускайте детей к устройству и не позволяйте им играть с устройством. Детям запрещено производить чистку устройства.

Монтаж устройства должен производиться квалифицированным электриком. Подключение устройства следует проводить стационарно с помощью кабеля, соответствующего температурным условиям среды. К соединительной клемме устройства следует подсоединить защитное заземление (PE) с сечением провода не менее 1,5 мм². Устройство должно быть подключено к цепи питания, которая защищена

предохранителем от перегрузки и дифференциального тока. Напряжение питания: 230 В–50/60 Гц. Мощность: 75 Вт.

ОСТОРОЖНО! Перед обслуживанием и чисткой устройства следует отсоединить его от электрической сети и дождаться полной остановки движущихся деталей.

ОСТОРОЖНО! На корпусе устройства имеются острые углы и края, которые могут причинить повреждения.

ОСТОРОЖНО! Устройство следует установить так, чтобы выходное отверстие не было направлено на каменку.

ТРАНСПОРТИРОВКА И ХРАНЕНИЕ

Устройство упаковано производителем способом, обеспечивающим его сохранность при соблюдении нормальных условий транспортировки. Следует избегать падения, перебрасывания и хранения устройства под давлением от находящихся на нем тяжелых предметов. Устройство следует хранить в сухом помещении, защищенном от атмосферных воздействий.



МОНТАЖ

Внимание! Перед началом монтажных работ ознакомьтесь с указаниями по технике безопасности (см. стр. 74–75)!

Устройство устанавливается на стену парного помещения или за внутренней обшивкой (если устройство встраивается в стену, обшивку следует крепить на стальной лицевой стороне устройства при помощи креплений для обшивки) (см. рис. 1, 1А, 1В, 1С, 1D, 1Е, 2, 2А, 2В и 2С на следующих страницах).

Перед выходным отверстием для воздуха не должно быть никаких препятствий, и пользователям сауны запрещается находиться (в т.ч. приближать ноги и руки) ближе, чем на 50 см перед вентилятором.

Выдуваемый воздушный поток должен свободно распространяться по парному помещению.

Рис. 1
Размеры моделей Saunum
BASE / BASE Short.

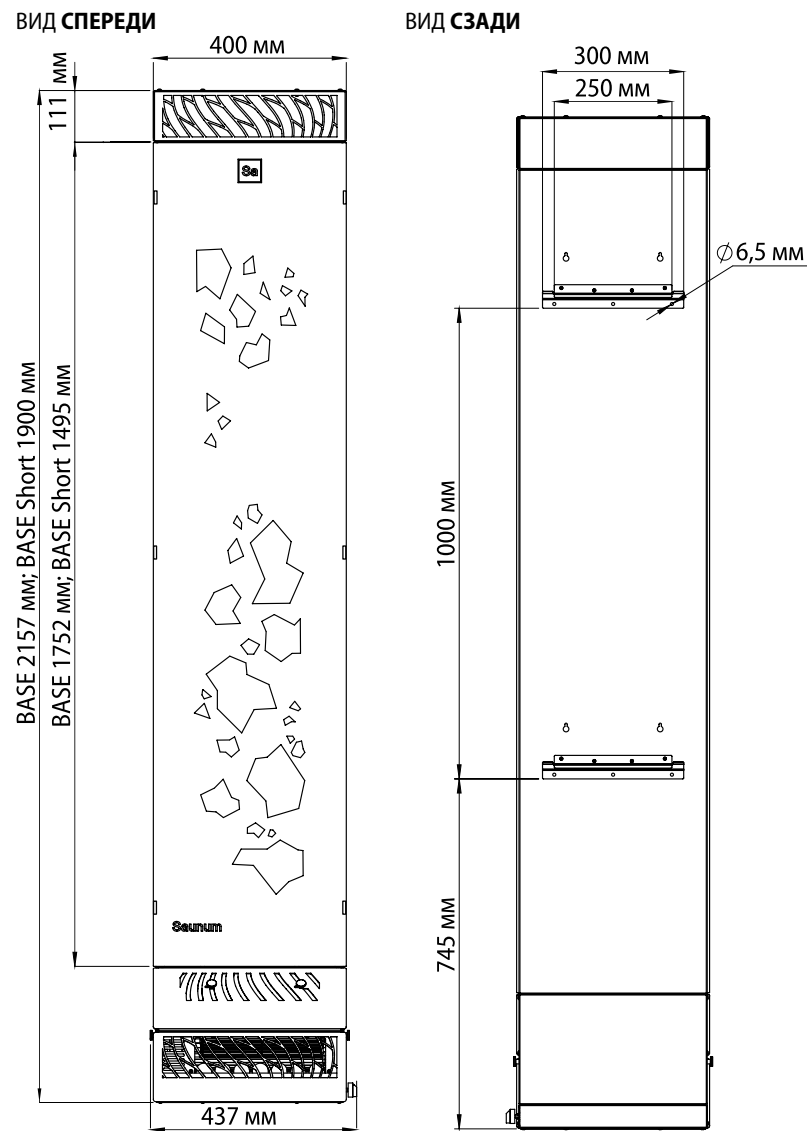
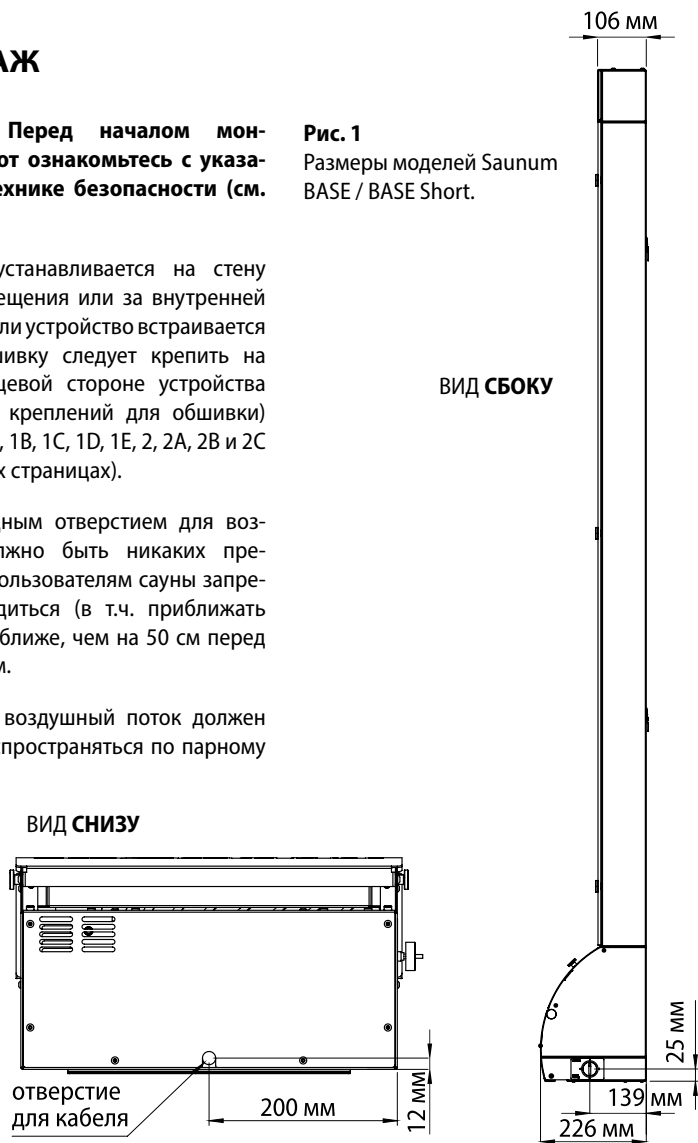




Рис. 1А – Монтажные расстояния для модели Saunum BASE / BASE Short.

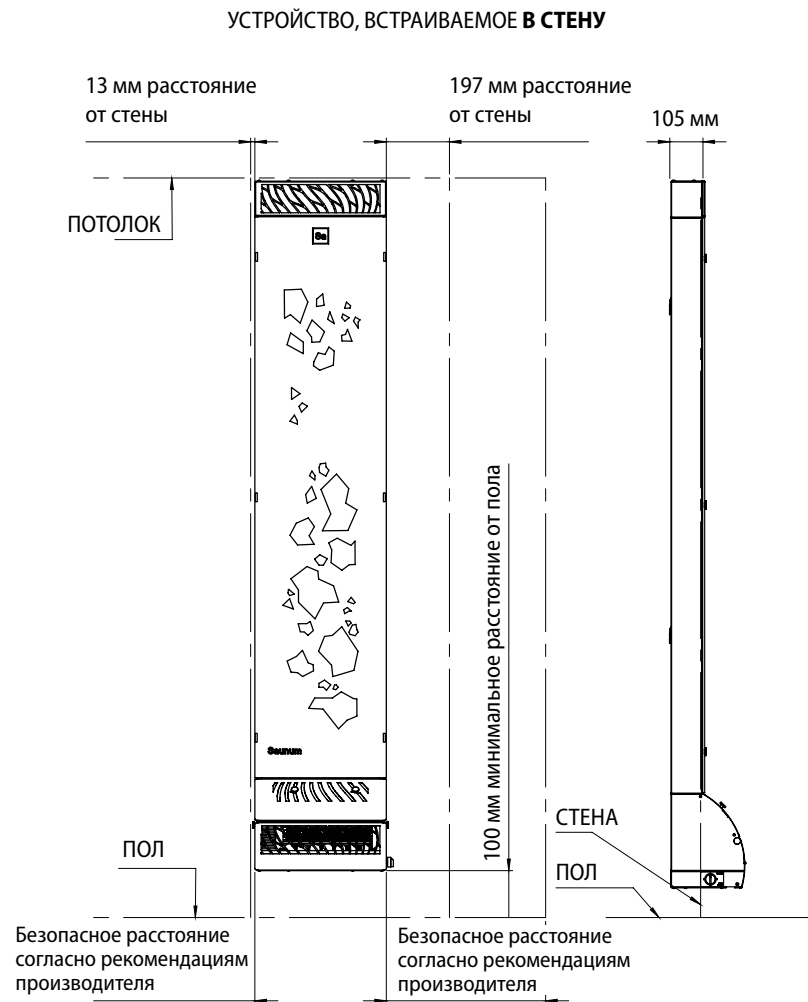


Рис. 1В – Монтажные расстояния для модели Saunum BASE / BASE Short.

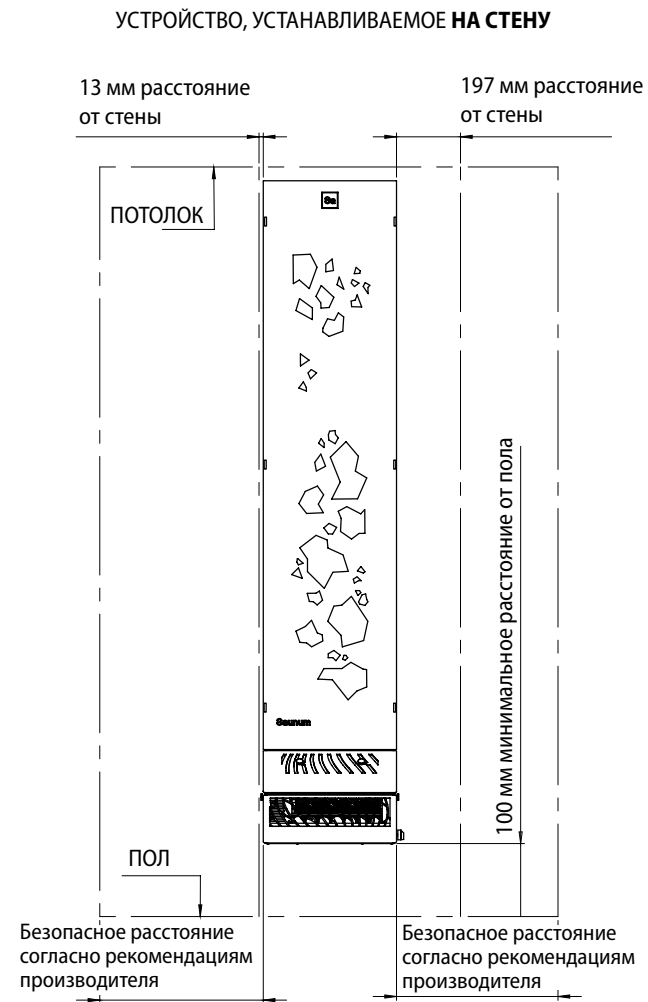
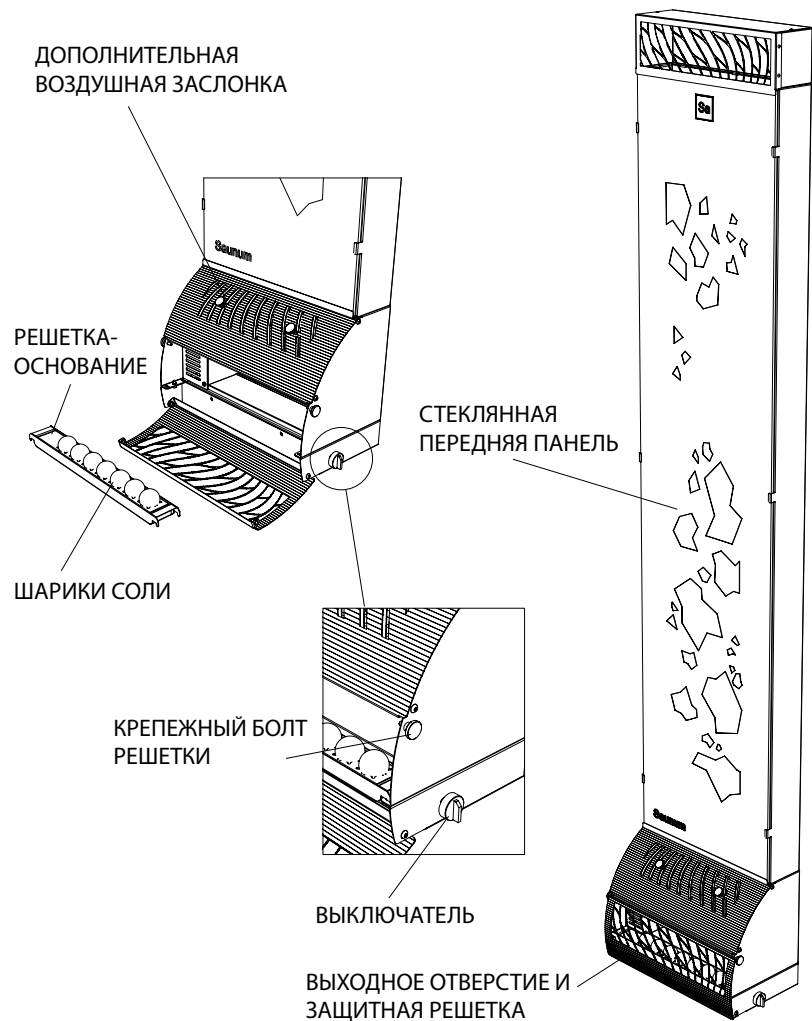




Рис. 1С – Детали устройства Saunum BASE / BASE Short.



Устройство работает с максимальной эффективностью, если край его верхнего вентиляционного отверстия расположен на уровне потолка парного помещения (у модели с защитной решеткой). Если устройство не оснащено верхней защитной решеткой, то его следует расположить так, чтобы верхний край находился ниже потолка на 80–100 мм. Нижний край должен находиться на высоте не менее 100 мм от пола, чтобы избежать попадания воды с пола на электрические соединения устройства.

Устройство предназначено для установки на стену с помощью планок для подвешивания, входящих в комплект. На месте монтажа устройства стена должна выдерживать вес не менее 35 кг и позволять крепление шурупами планок для подвешивания, входящих в комплект. Планки крепятся к стене парного помещения, каждая как минимум двумя шурупами. После этого устройство вешается на стену так, чтобы и верхние и нижние планки скользили между планками, закрепленными на обратной стороне устройства.

Рис. 1D – Монтаж устройства Saunum BASE / BASE Short.

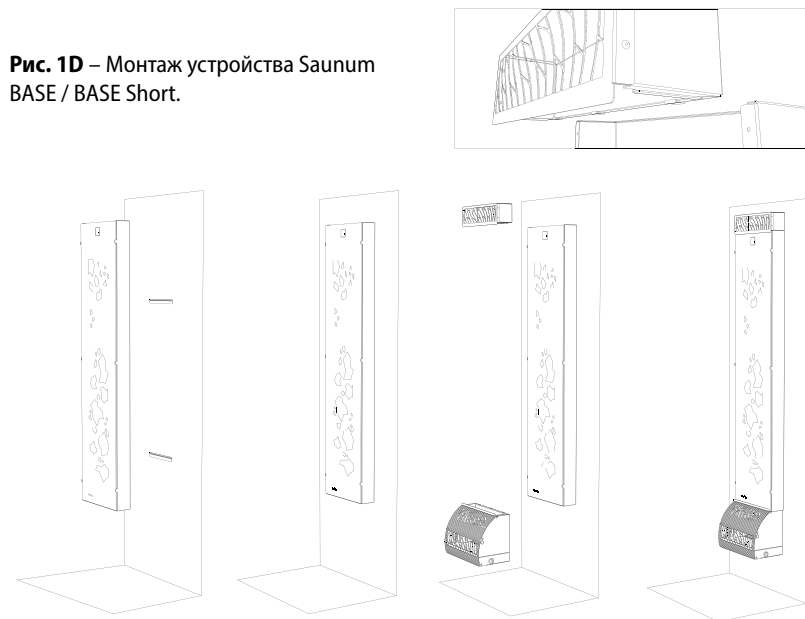
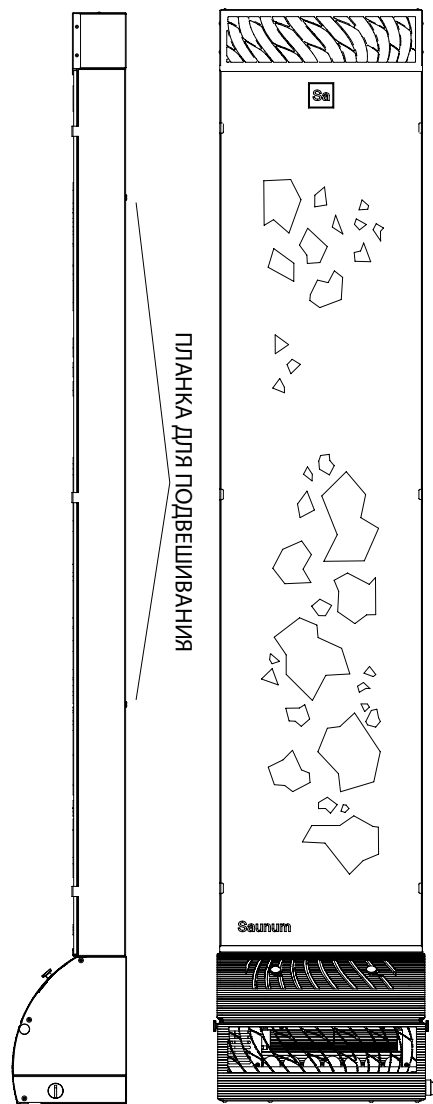


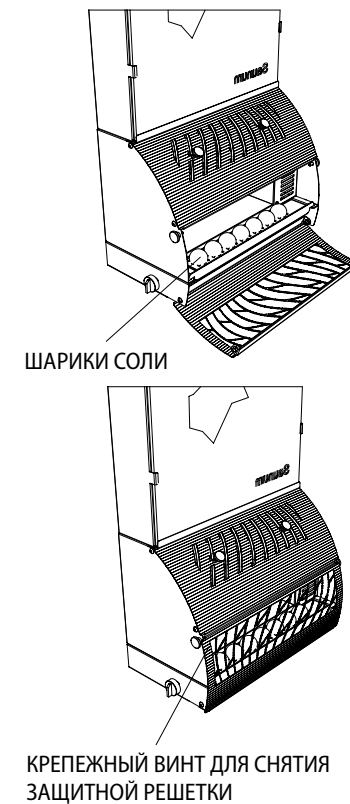
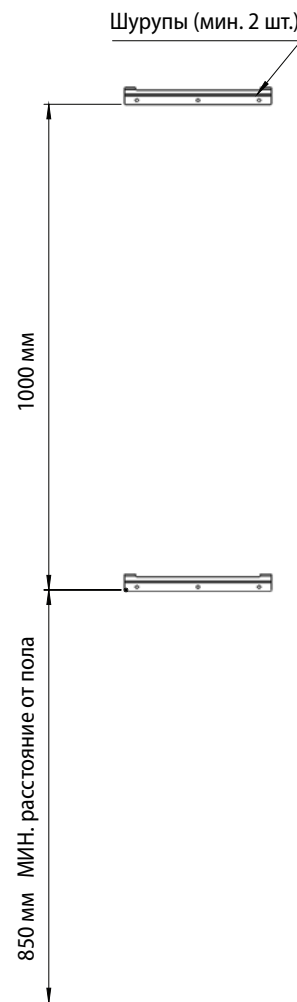


Рис. 1Е – Рекомендуемый метод монтажа устройства Saunum BASE / BASE Short с помощью планки для подвешивания.

1. Установите планки, входящие в комплект устройства, на стену. При необходимости используйте дюбели.
2. Повесьте устройство на планки, закрепленные на стене. Следите за тем, чтобы петли на обратной стороне устройства одинаково опирались на обе планки. (При необходимости используйте уровень, чтобы удостовериться в строго вертикальном расположении устройства.)
3. Убедитесь, что на устройстве отсутствуют внешние повреждения. В случае повреждений использовать устройство запрещено!

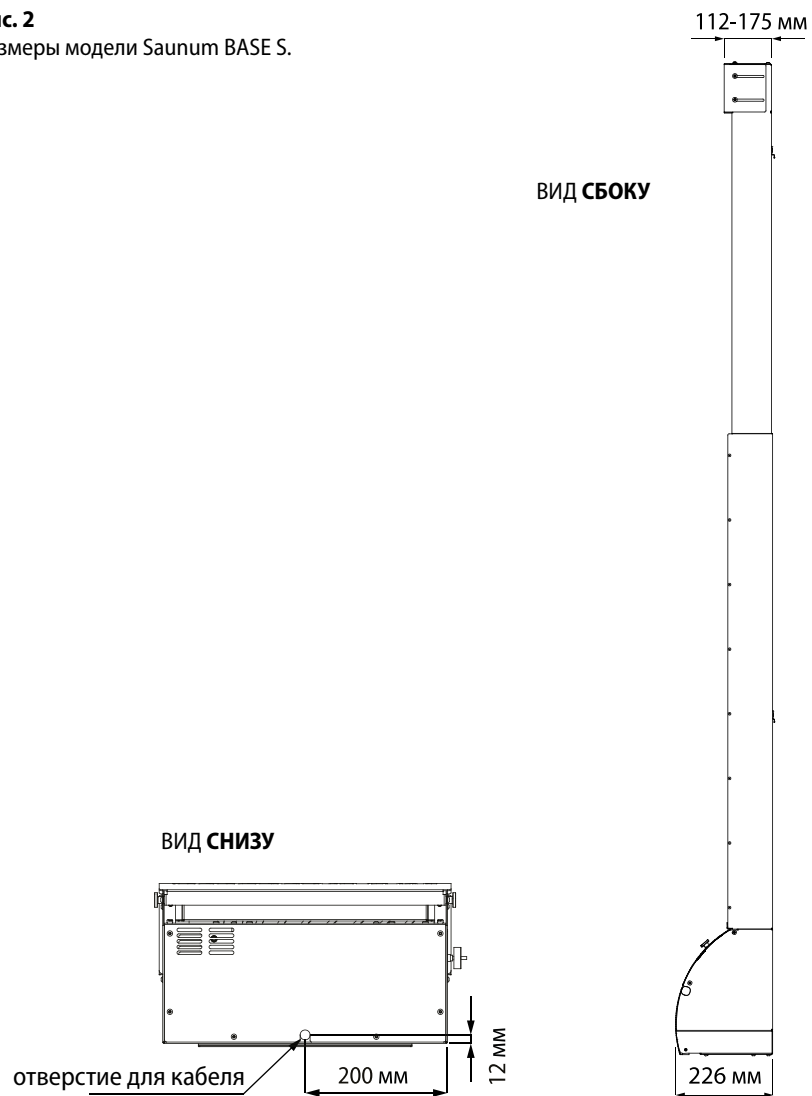


4. Уложите шарики соли. Шарики соли помещаются в устройство после его закрепления на стене. Для укладки шариков следует открыть нижнюю решетку, удалив два болта, закручиваемых вручную, и поместить шарики в ячейки на решетке-основании.



Sa

Рис. 2
Размеры модели Saunum BASE S.



Sa

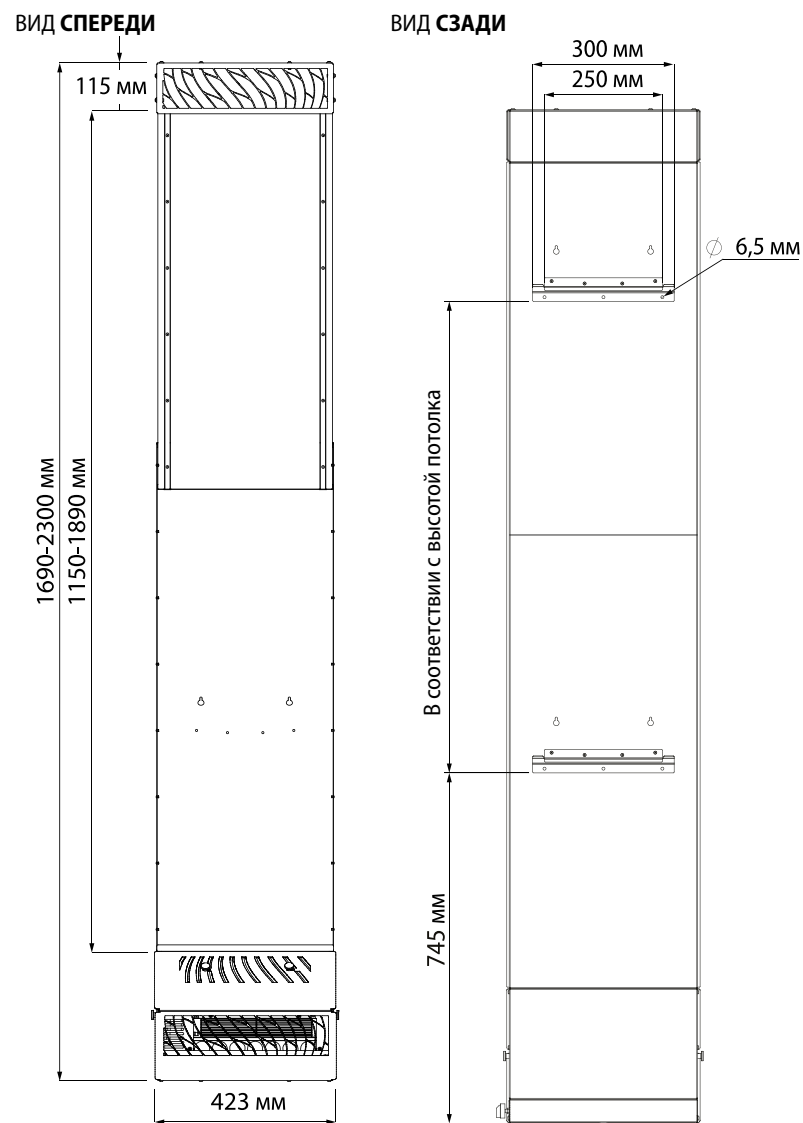




Рис. 2А – Монтажные расстояния для модели Saunum BASE S.

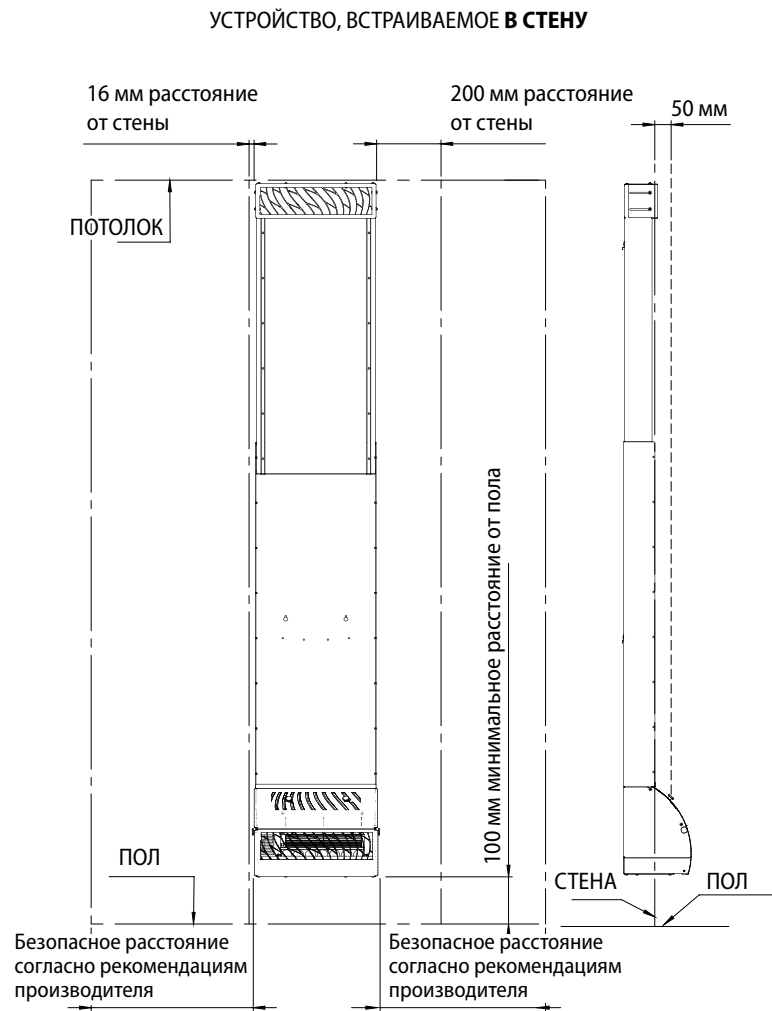
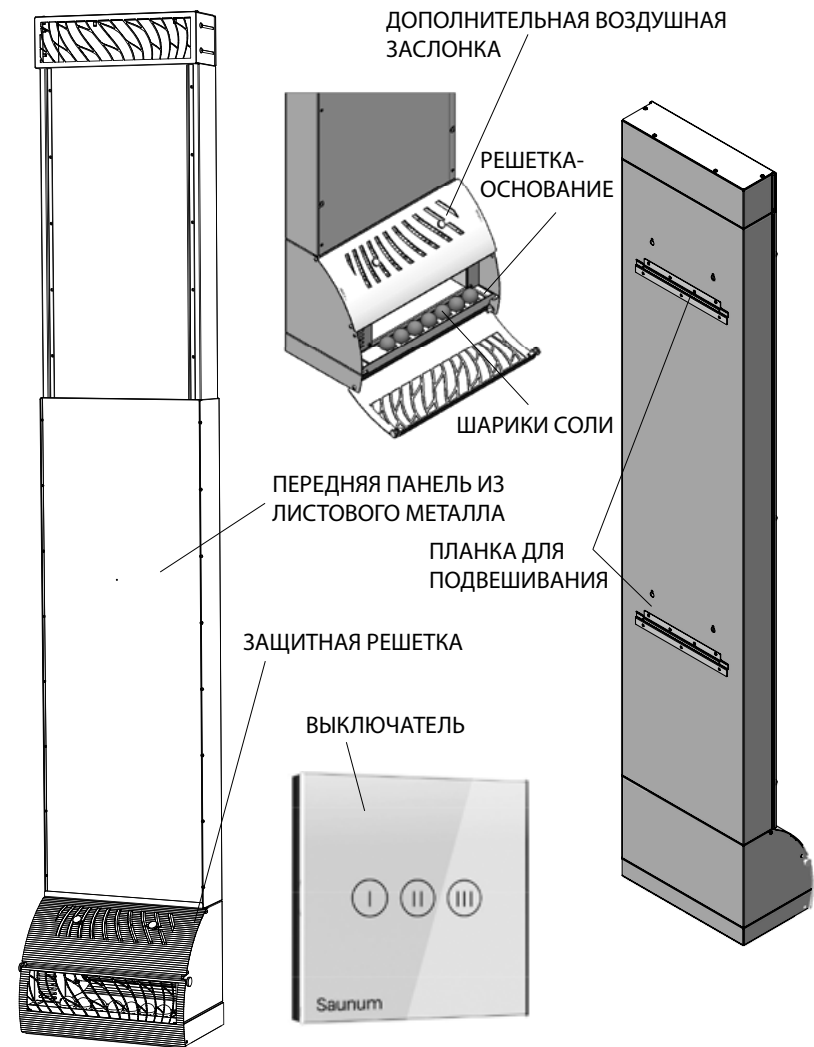


Рис. 2В – Детали устройства Saunum BASE S.

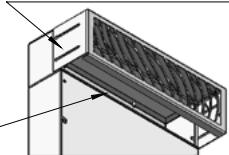


Sa

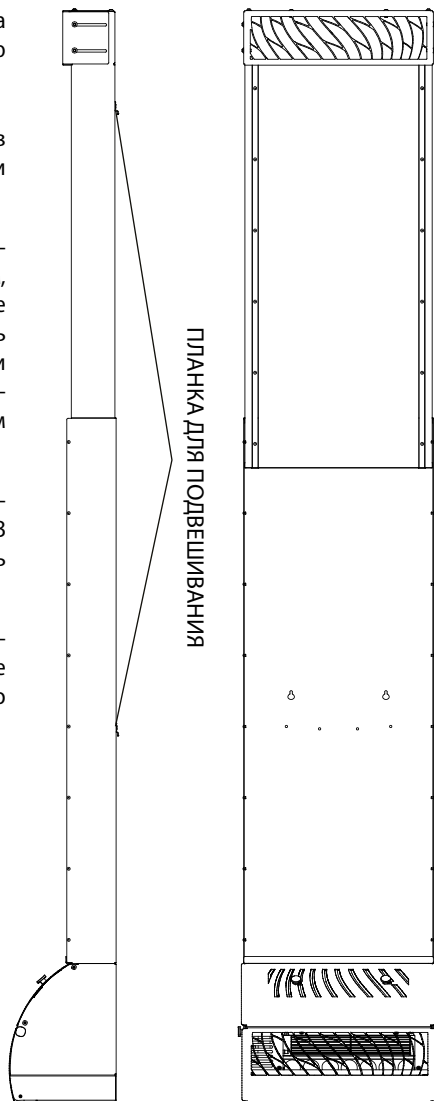
Рис. 2С – Рекомендуемый метод монтажа устройства Saunum BASE S с помощью планки для подвешивания.

1. Установите планки, входящие в комплект устройства, на стену. При необходимости используйте дюбели.
2. Повесьте устройство на планки, закрепленные на стене. Следите за тем, чтобы петли на обратной стороне устройства одинаково опирались на обе планки. (При необходимости используйте уровень, чтобы удостовериться в строго вертикальном расположении устройства.)
3. Убедитесь, что на устройстве отсутствуют внешние повреждения. В случае повреждений использовать устройство запрещено!
4. Перед началом использования устройства закройте все открытые проемы предназначенной для этого алюминиевой лентой.

Регулировочные отверстия по бокам и сверху кожуха



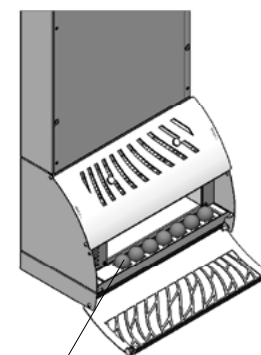
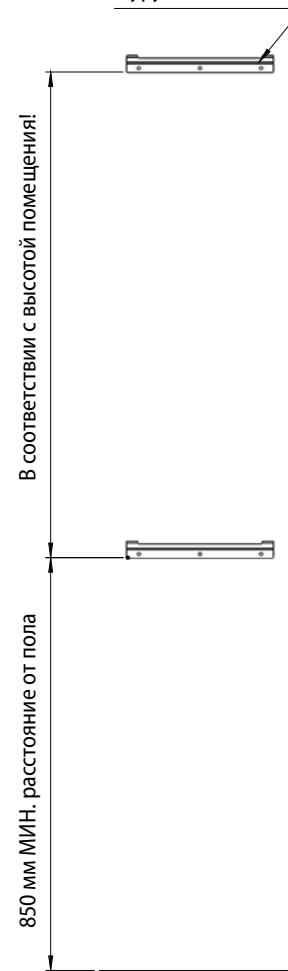
Отверстие под кожухом после настройки выдвигающего кожуха



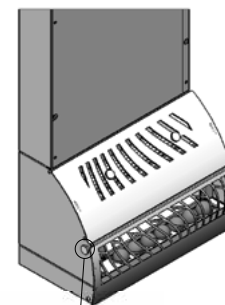
Sa

5. Уложите шарики соли. Шарики соли помещаются в устройство после его закрепления на стене. Для укладки шариков следует открыть нижнюю решетку, удалив два болта, закручиваемых вручную, и поместить шарики в ячейки на решетке-основании.

Шурупы (мин. 2 шт.)



Шарики соли



Крепежный винт для снятия защитной решетки

Sa

ЭЛЕКТРИЧЕСКИЕ СОЕДИНЕНИЯ

ВНИМАНИЕ! Подключение устройства должно осуществляться квалифицированным электриком согласно действующим стандартам и требованиям.

Устройство следует подключать стационарно посредством кабеля, соответствующего температурным условиям среды, с помощью винтовой клеммы согласно схемам электрического соединения, приведенным в настоящей инструкции (рис. 3, 3А, 4, 5 и 6 на следующих страницах).

Наружный диаметр кабеля не должен превышать 10 мм. К соединительной клемме устройства следует подсоединить защитное заземление (PE) с сечением провода не менее 1,5 мм². Устройство должно быть подключено к цепи питания 230 В переменного тока 50/60 Гц, которая защищена предохранителем номиналом 2 А. Цепь питания устройства должна быть оснащена предохранителем от дифференциального тока, чтобы обеспечить безопасность людей в парном помещении.

Подсветку устройства следует подключить к наружному выключателю с управлением или к внутреннему выключателю с управлением. Цепь питания наружного выключателя подсветки следует также оснастить предохранителями от перегрузки и дифференциального тока.

Цепи подсветки и вентилятора устройства соединяются с наружными выключателями, цепи питания которых оснащены предохранителями от перегрузки и дифференциального тока. Кабель питания должен входить в корпус устройства вертикально, снизу, чтобы избежать проникновения воды в корпус устройства по кабелю. Наружную изоляцию кабеля можно снять только в части, находящейся в корпусе устройства.

Рис. 3 – Подключение кабеля питания к устройству, оснащеному внутренним переключателем скоростей вентилятора.

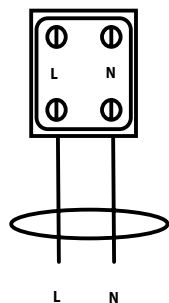


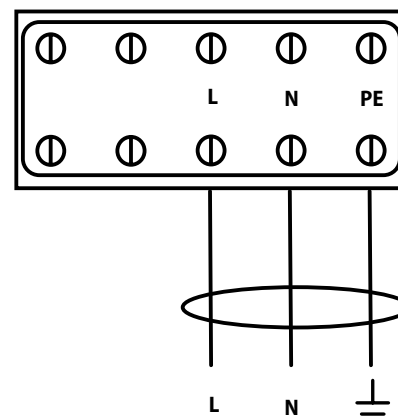
Схема применима только при подключении устройства с подсветкой к внешнему выключателю!

Внимание! Подключения должны выполняться согласно указаниям, приведенным в электросхеме устройства.

Внимание! Подключать только через предохранители от перегрузки и дифференциального тока!

Sa

Рис. 3А – Подключение кабеля питания к устройству, оснащеному внутренним переключателем скоростей вентилятора. Основное питание устройства.



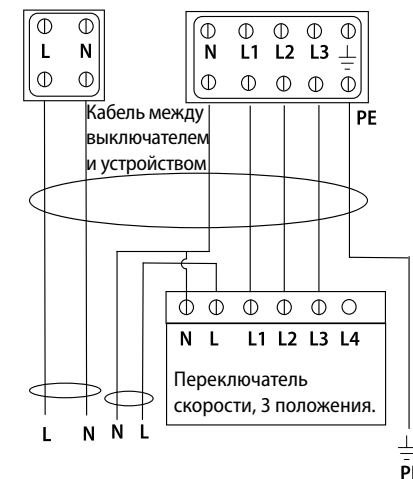
Внимание! Подключать только через предохранители от перегрузки и дифференциального тока!

Используемый кабель питания должен быть предназначен для выполнения стационарного электрического монтажа и соответствовать требованиям, предъявляемым к электроустановкам в парных помещениях. Сечение кабеля питания должно быть 1,5–2,5 мм².

Кабель питания вводится через отверстие в днище устройства согласно инструкции по монтажу.

Кабель питания не должен оставаться лежать на полу парного помещения.

Рис. 4 – Подключение кабеля питания к устройству, оснащеному наружным переключателем скоростей вентилятора.



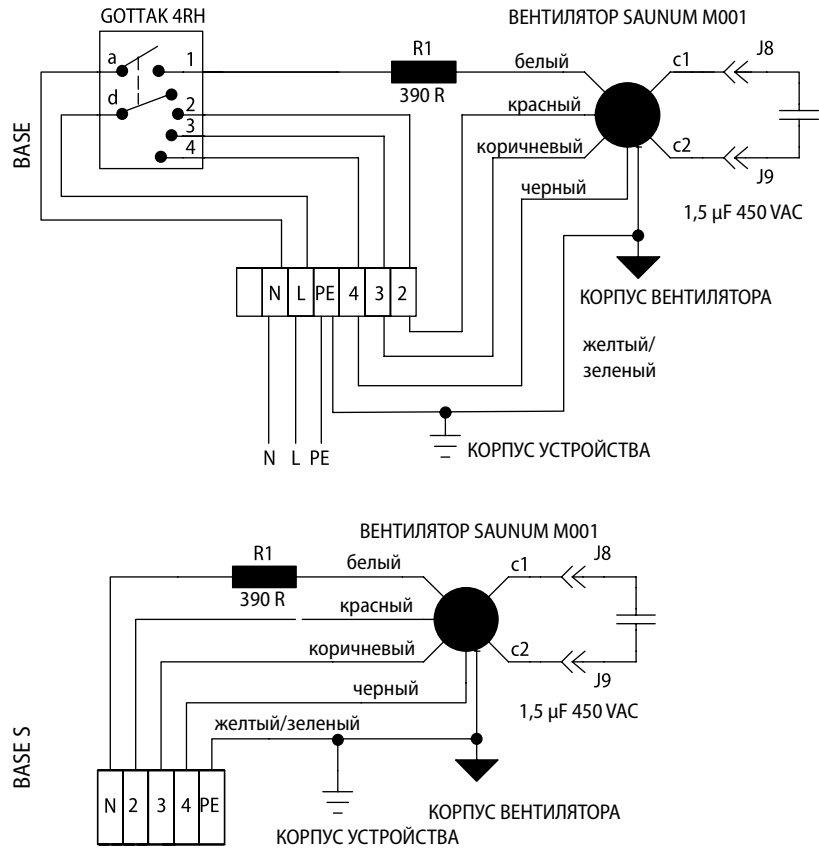
Внимание! Подключать только через предохранители от перегрузки и дифференциального тока!

Питание вентилятора. Внимание! Подключать только через предохранители от перегрузки и дифференциального тока!

Внимание! Подключения должны выполняться согласно указаниям, приведенным в электросхеме устройства.



Рис. 5 – Электросхема: устройство без выключателя, с подсветкой.



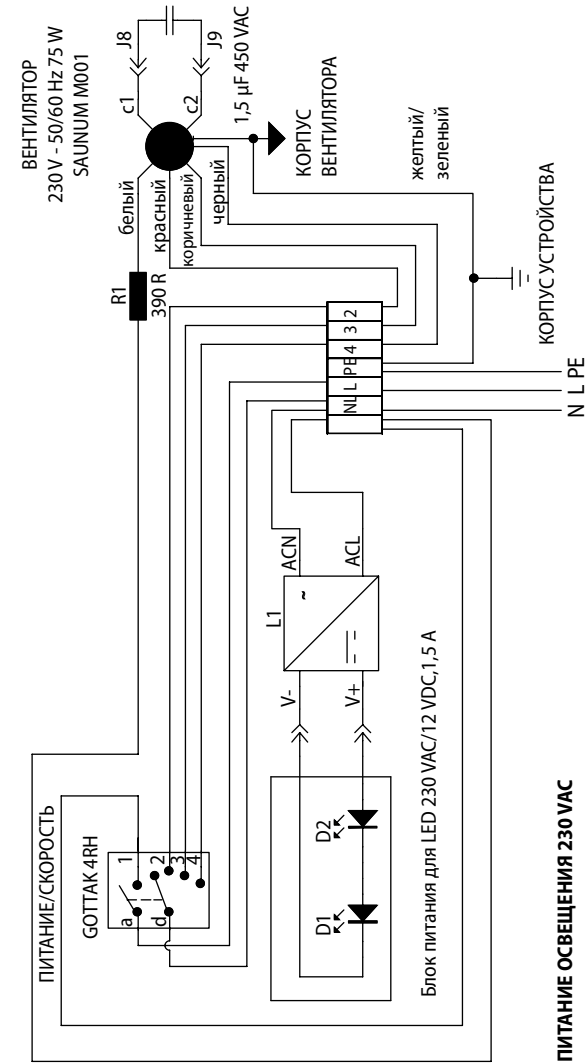
ПИТАНИЕ/СКОРОСТЬ

ВХОДНАЯ КЛЕММА ПИТАНИЯ ВЕНТИЛЯТОРА 230VAC

ВНИМАНИЕ! РАЗРЕШЕНО ПОДКЛЮЧАТЬ ТОЛЬКО ЧЕРЕЗ УСТРОЙСТВО ЗАЩИТНОЙ АВТОМАТИКИ!



Рис. 6 – Электросхема: устройство, с подсветкой и выключателем.



ПИТАНИЕ/СКОРОСТЬ

ВХОДНАЯ КЛЕММА ПИТАНИЯ ВЕНТИЛЯТОРА 230VAC

ВНИМАНИЕ! РАЗРЕШЕНО ПОДКЛЮЧАТЬ ТОЛЬКО ЧЕРЕЗ УСТРОЙСТВО ЗАЩИТНОЙ АВТОМАТИКИ!

Sa

ИНСТРУКЦИЯ ПО ЭКСПЛУАТАЦИИ

Устройство предназначено для выравнивания климата в парном помещении во время его использования.

Перед первым использованием устройства следует проверить:

- соответствие электрических соединений предъявляемым требованиям;
- соответствие напряжения питания допустимым для устройства номиналам;
- исправность заземляющего провода (РЕ);
- крепления корпуса устройства;
- крепление устройства к стене;
- исправность/наличие предохранителей от перегрузки и дифференциального тока;
- беспрепятственное вращение ротора вентилятора;
- отсутствие рабочих инструментов, использованных в ходе монтажа, и остатков материала в корпусе устройства.

При запуске устройства проверить:

- направление воздушного потока – забор воздуха сверху и выдувание из нижнего отверстия;
- отсутствие посторонних шумов и вибраций при работе вентилятора;

- для устройства с Led – стабильность освещения.

РЕГУЛИРОВКА КЛИМАТА В САУНЕ

Интенсивность циркуляции воздуха, создаваемой устройством, регулируется поворотным выключателем, расположенным слева на передней панели в нижней части устройства.

У выключателя имеется 4 положения, выключатель можно поворачивать как по часовой стрелке, так и против часовой стрелки. Если штрих на кнопке выключателя совпадает с крайним левым положением, то вентилятор устройства выключен. Скорость воздушного потока увеличивается при повороте выключателя по часовой стрелке, можно выбрать одну из трех скоростей (за исключением модели Base S).

Для регулировки температуры воздуха в парном помещении устройство оснащено заслонкой для охлаждения воздуха, которая расположена на передней панели в нижней части устройства (см. рис. 1С и 2В). Рекомендуется держать заслонку открытой на 1/3. Если требуется сильнее охладить пар, попробуйте открывать заслонку постепенно. Попробуйте использовать разные скорости вентилятора, чтобы установить наиболее подходящий климат в вашей сауне.

Sa

ЭКСПЛУАТАЦИЯ УСТРОЙСТВА

Устройство следует включать непосредственно перед входом в парное помещение и выключать сразу после выхода из него. Не допускается включение устройства во время нагрева парного помещения или при отсутствии в нем людей, поскольку при постоянной работе устройства повышается температура в нижней части парного помещения. В результате деревянные полки и пол могут сильно нагреваться.

Для обеспечения долговечности устройства необходимо следить, чтобы температура в парном помещении на высоте нижней части устройства не превышала 80 °С. При превышении этой температуры срабатывает термозащита и вентилятор останавливается. При снижении температуры ниже границы срабатывания защиты вентилятор включается вновь.

Производитель не несет ответственности за поломки устройства, которые были вызваны превышением допустимой температуры эксплуатации.

Если ваше устройство оснащено внутренней подсветкой, то при его включении одновременно с вентилятором включается также подсветка устройства (см. обозначение на упаковке устройства).

Если ваше устройство встраивается в стену и оснащено внешним сенсорным переключателем для управления скоростью, необходимо учитывать следующие требования:

- наружный переключатель скоростей можно устанавливать только снаружи парного помещения и мойки, например, в раздевалке, желательно рядом с дверью, чтобы устройство можно было удобно включить и выключить;
- для выбора интенсивности потока воздуха у переключателя имеется три положения. Для включения устройства необходимо удерживать палец на сенсорной кнопке соответствующей скорости;
- для выбора скорости коснитесь соответствующей кнопки.
- если устройство оснащено внутренней подсветкой, для ее включения следует использовать отдельный выключатель (дополнительное оборудование).

Sa

ИСПОЛЬЗОВАНИЕ ШАРИКОВ ГИМАЛАЙСКОЙ СОЛИ

В комплект климатической установки входят шарики гималайской соли. Использование шариков соли в устройстве не является обязательным и не влияет на его основные функции.

Для использования шариков соли их следует поместить в ячейки, расположенные между выходной воздушной решеткой и вентилятором. Убедитесь, что шарики соли установлены правильно и что они не препятствуют свободному вращению вентилятора.

Чтобы положить (см. рис. 1D и 2C) или удалить солевые шарики, следует выкрутить два крепежных винта выходной решетки и повернуть решетку на петлях вниз. Не применяйте чрезмерного усилия! После того, как шарики соли уложены или извлечены, следует закрыть решетку выходного отверстия и снова закрепить ее двумя винтами.

Устройство можно использовать только при установленной решетке!

МЕРЫ ПРЕДОСТОРОЖНОСТИ

- Слишком долгое нахождение в парном помещении приводит к повышению температуры тела, что может быть опасным для здоровья!

- Не позволяйте детям, людям с ограниченными возможностями или больным находиться в парном помещении без присмотра!
- Проконсультируйтесь с врачом относительно медицинских противопоказаний к посещению сауны!
- Проконсультируйтесь с врачом относительно медицинских противопоказаний к солевой терапии!
- Убедитесь, что у вас нет аллергии на солевую терапию. Saunum не несет ответственности за побочные действия солевой терапии!
- Проконсультируйтесь со своим педиатром или семейным врачом относительно посещения сауны детьми!
- Передвигаясь по парному помещению, будьте осторожны, поскольку полки и пол могут быть скользкими!
- Не посещайте сауну, находясь под воздействием алкоголя, лекарственных препаратов или наркотических средств!
- Не спите в горячем парном помещении!
- Морской воздух и влажный климат могут привести к образованию слоя оксида (ржавчины) на металлических поверхностях каменки!
- Убедитесь, что в вашей сауне имеется достаточная вентиляция.

Sa

Saunum не несет ответственности за возможную коррозию оборудования сауны, вызванную солью. При необходимости проконсультируйтесь со специалистом!

- Не развешивайте одежду и полотенца в парном помещении для просушки, это может привести к пожару!
- Чрезмерная влажность также может повредить электрооборудование!

Внимание! Не оставляйте вентилятор устройства включенным, если вы сами не находитесь в парном помещении — это приведет к лишнему расходу электроэнергии и чрезмерному нагреву полок!

ОБСЛУЖИВАНИЕ И РЕМОНТ

ОСТОРОЖНО! Перед обслуживанием и чисткой климатической установки для сауны ее необходимо отключить от электрической сети и дождаться полной остановки движущихся частей устройства.

Перед обслуживанием и чисткой устройства необходимо убедиться, что:

- устройство отключено от электрической сети (помимо выключателя питания устройства также с помощью предохранителей от перегрузки);

- вентилятор устройства полностью остановился;
- при выполнении работ используются предусмотренные средства техники безопасности и индивидуальной защиты;
- соединительные кабели не повреждены. При обнаружении повреждений соединительных кабелей, перед тем как продолжить работы по обслуживанию и чистке, необходимо поручить квалифицированному электрику заменить кабели согласно действующим стандартам и требованиям.

Корпус устройства можно протирать тряпкой, смоченной водой.

Не используйте для чистки устройства мойку под давлением и проточную воду! Не используйте для чистки устройства химические чистящие средства и растворители!

Накопившаяся грязь может нарушить балансировку ротора вентилятора, что в свою очередь приведет к увеличению шума при работе устройства. Шум может увеличиться также вследствие повреждения/сгибания лопастей вентилятора. Следите, чтобы в рабочую зону ротора вентилятора не попадали посторонние предметы.

Как правило, вентилятор требуется чистить один раз в год. Чистку вентилятора должны проводить только лица с соответствующей квалификацией.

Sa

Использование сжатого воздуха при чистке вентилятора может необратимо повредить ротор вентилятора!

Подшипники вентилятора не требуют обслуживания, и в случае нарушений в работе их следует заменить.

Следите за тем, чтобы в воздушных отверстиях вентилятора устройства не было посторонних предметов. Очистка устройства не должна выполняться детьми.

Если вместе с устройством используются шарики соли, то раз в год рекомендуется проверять степень расхода шариков соли (см. рис. 1D и 2C).

Если диаметр шариков соли уменьшился более чем наполовину, то необходимо произвести их замену. Для этого из устройства следует извлечь контейнер с шариками и промыть его под проточной водой от остатков соли. После этого поместите в ячейки новые шарики соли и установите контейнер обратно.

При возникновении любых неисправностей в работе вентилятора и подсветки устройства следует немедленно приостановить использование устройства и поручить осмотр устройства квалифицированному лицу.

ОБЩИЕ ГАРАНТИЙНЫЕ УСЛОВИЯ ДЛЯ ИЗДЕЛИЙ SAUNUM

Согласно условиям гарантии на устройства Saunum, производитель гарантирует отсутствие дефектов изделия, вызванных материалами или качеством сборки, на протяжении установленного срока после покупки. При возникновении дефекта устройства, вызванного качеством сборки или использованием некачественных материалов, в течение гарантийного периода производится ремонт или замена устройства или неисправных деталей у рекомендованных Saunum специалистов без платы за ремонтные работы и запасные части, согласно приведенным ниже условиям. Saunum оставляет за собой право принимать решение о замене неисправного компонента или замене устройства на новое. Замененные дефектные компоненты изделия остаются в собственности Saunum.

Условия гарантии:

1. гарантия действительна только в том случае, если вместе с претензией подается заполненный протокол монтажа;
2. при использовании в частной сауне срок гарантии на устройство составляет два (2) года;

Sa

3. при использовании в общественной сауне срок гарантии на устройство составляет один (1) год.

Гарантия не распространяется на следующее:

1. регулярное обслуживание и чистку устройства, а также на замену компонентов вследствие нормального износа;
2. внесение изменений в устройство или его модификацию для использования в целях, отличных от указанных в инструкции по эксплуатации;
3. риски, возникающие при транспортировке;
4. повреждения, возникшие в результате неправильной эксплуатации устройства;
5. повреждения, возникшие в результате неправильной установки устройства;
6. ремонт устройства, проведенный сторонним лицом – не рекомендованным Saunum специалистом по ремонту (партнером по техническому обслуживанию);
7. повреждения вследствие несчастных случаев, удара молнии,

от воды или огня, вследствие неправильной вентиляции или иного фактора, не зависящего от Saunum;

8. поломки, вызванные использованием не рекомендованных Saunum шариков соли;
9. шарики соли.

Со списком рекомендованных Saunum Saunas OÜ специалистов по установке и обслуживанию можно ознакомиться веб-сайте Saunum Saunas OÜ по адресу www.saunum.com или написав по адресу info@saunum.com.

Указания по обслуживанию устройства Saunum приведены в инструкции по эксплуатации.

Внимание! Подключение климатической установки для сауны к электросети должен проводить только квалифицированный электрик с соблюдением действующих норм.

Перед началом использования устройства внимательно ознакомьтесь с инструкцией по эксплуатации и храните ее в безопасном и легкодоступном месте для использования в будущем.



ПРОТОКОЛ МОНТАЖА

Дата покупки: _____

Тип каменки: _____

Наклейка / серийный номер:

Место установки: _____

Дата установки: _____

Установщик: _____

Проверено: _____

Дата, подпись: _____

Описание выполненных работ: _____

Для установки имеются все детали _____

Отсутствуют дефекты цвета или вмятины _____

Устанавливается на стену или пол согласно инструкции _____

Электрические соединения выполнены согласно инструкции по монтажу _____

Три положения вентилятора работают / в правильном порядке _____

ЗАПОЛНЯЕТ КЛИЕНТ ПРИМЕЧАНИЯ: _____

Контактные данные клиента (имя, электронная почта): _____

Работа принята: _____

Дата начала действия гарантии: _____



Декларация соответствия ЕС

Производитель: Saunum Saunas OÜ

Адрес: Ляйке теэ, 2-4

75312 Пеэтри, Эстония

подтверждает, что изделие:

климатическая установка для парного помещения сауны

отвечает требованиям директив Совета Европы при условии, что монтаж осуществлен в соответствии с инструкцией по монтажу, выданной производителем оборудования, и с инструкцией EN 60 204-1 «Безопасность машин. Электрооборудование машин – Часть 1: Общие требования»: Директива 2006/42/ЕС о безопасности машин, Директива 2014/35/ЕС по низковольтному оборудованию, Директива 2014/30/ЕС об электромагнитной совместимости.

GER

BEDIENUNGS- UND INSTALLATIONSANLEITUNG

Sa

Saunum

Saunaklimagerät

Saunum BASE / BASE Short / BASE S

DAS BESTMÖGLICHE SAUNAERLEBNIS!

Ich freue mich sehr, dass Sie in eine Anlage von Saunum investiert haben, und glaube fest daran, dass unsere innovative Technologie Ihnen ein tolles und außergewöhnliches Saunaerlebnis ermöglichen wird.

Ich habe einen Abschluss in Wärmetechnik und komme aus dem südlichen Estland, wo auch meine Liebe zum Saunieren ihren Ursprung hat. Die Besonderheit der lokalen, historischen Rauchsaunas ist die niedrigere Temperatur und höhere Feuchtigkeit als beispielsweise in einer klassischen finnischen Sauna. In herkömmlichen Saunas hat der Saunaofen meist ein recht kleines Steinvolumen. Dies kann zu abruptem, brennend heißem Dampf und einer extrem ungleichmäßigen Temperatur führen, wobei auf Kopf- und Schulterhöhe ziemlich viel Hitze entsteht, während die Füße kalt bleiben. Eine solche Erfahrung kann sehr unangenehm sein, Kopfschmerzen verursachen und den Körper unter Stress setzen. In antiken Rauchsaunas und in den Saunas der Ureinwohner Amerikas hingegen wurden die Steine zunächst im Laufe des Tages erhitzt. Dann wurde die in den Steinen gespeicherte Wärme genutzt, um den Körper zu reinigen und ein sehr angenehmes Saunaerlebnis zu schaffen.

Inspiriert vom Erlebnis der Rauchsauna wollte ich eine innovative Lösung finden, die das Beste einer authentischen Sauna mit moderner Technologie vereint und so ein angenehm mildes und entspannendes Saunaerlebnis ohne den quälenden, brennenden Dampf ermöglicht. Dafür musste ich jedoch das Problem lösen, eine gleichmäßige Temperatur sowohl am Kopf als auch an den Füßen zu erreichen. Meine Entwicklung wurde von einer Forschungsarbeit unterstützt, die Seite an Seite mit der Technischen Universität in Tallinn durchgeführt



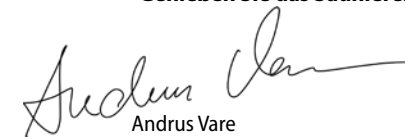
wurde. Darin analysierten wir die Temperaturschichtung und Luftbewegung im Saunaraum. Saunum wurde aus dem Verschmelzen von wissenschaftlichem Denken und technologischer Innovation heraus geboren.

Das einzigartige, patentierte Luftschichten-Mischsystem von Saunum fängt den heißen Dampf auf, der zur Decke des Saunaraums aufsteigt, vermischt diesen mit kühlerer Luft von der Fußbodenoberfläche und leitet den abgemilderten Dampf gleichmäßig zurück. Das erzeugt eine angenehme, weniger aggressive Wärme. So können Sie länger in der Sauna sitzen bleiben und schwitzend die porentiefe Reinigung genießen, ohne dabei zu ermüden. Das Steinvolumen unserer Öfen ist erheblich größer als das anderer Saunaöfen. Daraus resultiert das besonders angenehme Innenraumklima mit lang anhaltendem und sanftem Dampf.

Eine feuchte Dampfsauna, ein Saunarium, eine therapeutische Salzsäuna oder eine gesunde Aromasauna – all diese Funktionen stehen in den Anlagen von Saunum zur Verfügung, um ein Saunaerlebnis mit echter Entspannung zu verwirklichen. Bei der Nutzung von Himalaya-Salzkugeln in unserer Anlage verdampfen Salzionen, die wohltuend für die Haut und Atemwege sind; der Dampf zirkuliert diese anschließend in der Luft. Der Einbau eines Sauna-Aromasystems, das Dampf und gesundes Aromaöl miteinander vermischt, erzeugt eine Saunumgebung mit noch größerem Wohlfühlcharakter.

Die Saunaanlagen von Saunum eignen sich sowohl für Kinder als auch für Erwachsene.

Genießen Sie das Saunieren!



Andrus Vare
Gründer von Saunum

INHALT

Die Saunum Saunas OÜ
gratuliert Ihnen
 zur Auswahl eines innovativen
 Saunaklimageräts!

Sicherheitsinformationen	108
INSTALLATIONSANWEISUNGEN	
Installation	110
Abmessungen der Modelle Saunum BASE / BASE Short	111
Montageabstände der Modelle Saunum BASE / BASE Short	112
Geräteteile des Modells Saunum BASE / BASE Short	114
Abmessungen des Modells Saunum BASE S	118
Montageabstände des Modells Saunum BASE S	120
Geräteteile des Modells Saunum BASE S	121
Elektrischer Anschluss	124
BEDIENUNGSANWEISUNGEN	
Bedienungsanleitung	128
Regulierung des Saunaklimas	128
Nutzung des Geräts	128
Verwendung von Himalaya-Salzkugeln	129
Warnungen	130
Wartung und Reparatur	131
Garantie	132
Installationsprotokoll	134

Sa

Die vorliegende Installations- und Bedienungsanleitung ist vorgesehen für den Inhaber der Sauna oder eine Person, welche die Sauna wartet, sowie für den Elektriker, der für die Installation des Saunaklimageräts verantwortlich ist. Nach der Installation des Saunaklimageräts ist die Bedienungsanleitung an den Eigentümer oder die für die Wartung verantwortliche Person zu übergeben. Vor der Nutzung des Saunaklimageräts Saunum BASE, BASE Short oder BASE S müssen Sie sich mit der Installations- und Sicherheitsanleitung vertraut machen.

Die Saunaklimageräte **BASE / BASE Short / BASE S** der Saunum Saunas OÜ für den Aufgussraum der Sauna (im Weiteren „Gerät“) dürfen erst in Betrieb genommen werden, wenn die Installations- und Sicherheitsanleitung gelesen wurde!

Das Gerät ist dafür vorgesehen, im Aufgussraum der Sauna die Luftschichten zu vermischen und die Temperatur des Innenklimas der Sauna zu vereinheitlichen. Als zusätzliche Möglichkeit sind Himalaya-Salzkugeln im Paket enthalten, um Salzionen an die Raumluft abzugeben. Der im Gerät befindliche, spezielle Ventilator verursacht einen Luftstrom, welcher im vorgeheizten Saunaraum die Temperaturen der oberen und unteren Luftschichten durch Vermischen angleicht und so für einen

angenehmeren und gleichmäßigeren Aufguss sorgt.

Achtung! Das Saunaklimagerät darf nicht mit einer Ofeneinstellung von über 100 °C verwendet werden!

Achtung! Das Gerät darf ausschließlich für den vorgesehenen Zweck genutzt werden!

Überzeugen Sie sich, dass Sie keine Allergien oder andere Kontraindikationen bezüglich einer salzreichen Umgebung haben. Im Falle medizinischer Kontraindikationen konsultieren Sie bitte einen Arzt.

Die Saunum Saunas OÜ haftet nicht für Nebenwirkungen auf die Gesundheit des Benutzers des Geräts. Die Verwendung von Himalaya-Salzkugeln im Gerät ist eine mögliche, freiwillige Zusatzfunktion und beeinflusst nicht den Betrieb des Geräts bei der Vereinheitlichung des Klimas im Aufgussraum.

Im Falle irgendwelcher Zweifel bezüglich der Gesundheit können Sie die Salzkugeln von der Ablage entfernen und das Gerät nur für die Mischung von Luftschichten verwenden.

VORSICHT! Das Saunaklimagerät darf nur in der Zeit des Aufgusses betrieben werden.

Sa

Beim Einheizen der Sauna und während der Pausen zwischen den Aufguss-Saunagängen muss das Saunaklimagerät ausgeschaltet sein!

In den Korpus des Geräts und in die Ventilationsöffnungen darf kein Wasser gegossen werden, ebenso darf das Gerät nicht in Räumen benutzt werden, auf deren Fußboden Wasser fließt oder in denen die Möglichkeit besteht, dass brennende oder explosionsgefährdete Gase austreten.

Das Gerät darf nicht benutzt werden, wenn Details seines Korpus entfernt worden sind und/oder die elektrische Schaltung verändert worden ist. Kinder dürfen nicht an das Gerät gelangen und mit dem Gerät spielen. Kinder dürfen das Gerät nicht reinigen.

Die Installation des Geräts muss eine Person mit der entsprechenden Qualifikation für Elektroarbeiten durchführen. Der Anschluss des Geräts muss mit einem festangebrachten, den Temperaturbedingungen des Umfelds entsprechenden Kabel erfolgen. An die Anschlussklemmen des Geräts muss eine Schutzerdung (PE) mit einer Leitungsstärke von wenigstens 1,5 mm² angeschlossen werden. Die Stromversorgung des Geräts muss aus einem Stromkreis entnommen werden, der durch einen Überstrom- und einen

Fehlerstrom-Schutzschalter abgesichert ist. Versorgungsspannung: 230 V – 50/60 Hz Leistung: 75 W.

VORSICHT! Vor der Wartung und Reinigung des Geräts muss das Gerät vom Stromnetz getrennt und abgewartet werden, bis die beweglichen Teile des Geräts vollständig zum Stillstand gekommen sind.

VORSICHT! Am Korpus des Geräts befinden sich spitze Ecken und scharfe Ränder, an denen Sie sich bei mangelnder Vorsicht verletzen können.

VORSICHT! Das Saunaklimagerät muss derart installiert werden, dass die Austrittsöffnung nicht auf den Ofen gerichtet ist.

TRANSPORT UND LAGERUNG

Das Gerät wurde vom Hersteller derartig verpackt, dass das Gerät unter der Befolgung normaler Transportbedingungen nicht beschädigt wird. Das Gerät darf nicht fallen gelassen oder geworfen werden, und es darf nicht unter schweren Waren gelagert werden. Für die Lagerung der Geräte benutzen Sie bitte trockene Räumlichkeiten, die vor den Einflüssen des Wetters geschützt sind.

Sa

INSTALLATION

Achtung! Machen Sie sich vor Beginn der Installation mit den Sicherheitsinformationen vertraut (siehe S. 108–109)!

Das Gerät wird im Aufgussraum an der Wand oder hinter der Verkleidung angebracht (bei Einbau des Geräts in die Wand müssen die Bretter der Wandtäfelung mit Klammern an der Blechseite des Luftkanals befestigt werden) (siehe auf den folgenden Seiten die Abbildungen 1, 1A, 1B, 1C, 1D, 1E und 2, 2A, 2B, 2C).

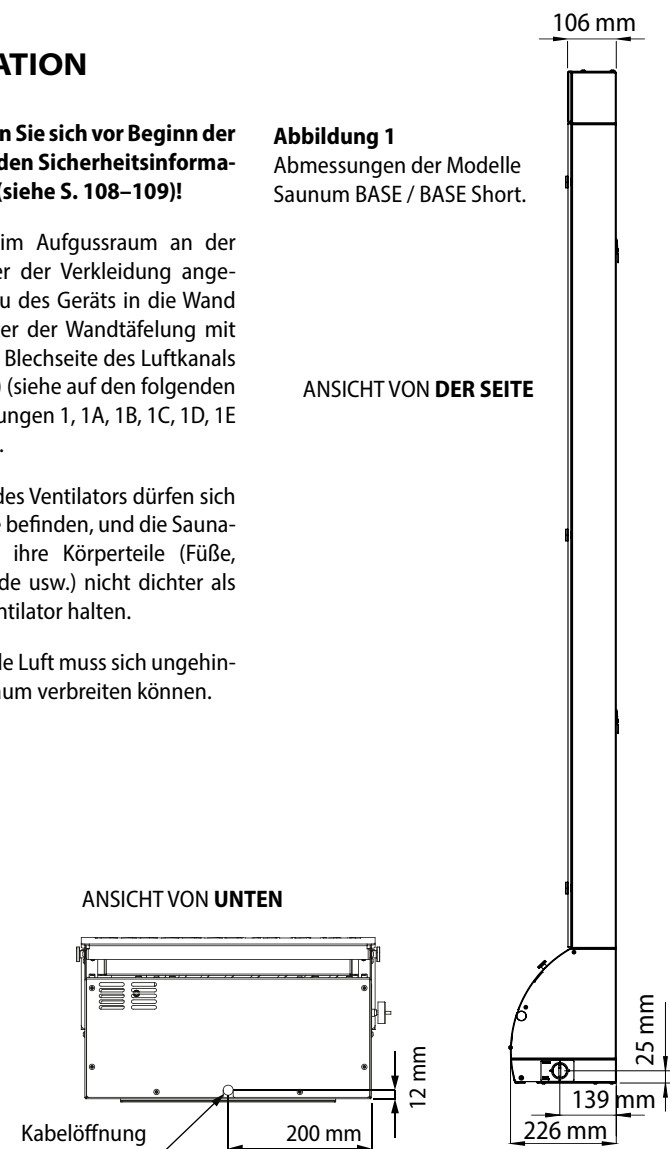
Vor der Öffnung des Ventilators dürfen sich keine Hindernisse befinden, und die Saunabesucher dürfen ihre Körperteile (Füße, Arme, Beine Hände usw.) nicht dichter als 50 cm vor den Ventilator halten.

Die auszustößende Luft muss sich ungehindert im Aufgussraum verbreiten können.

Abbildung 1

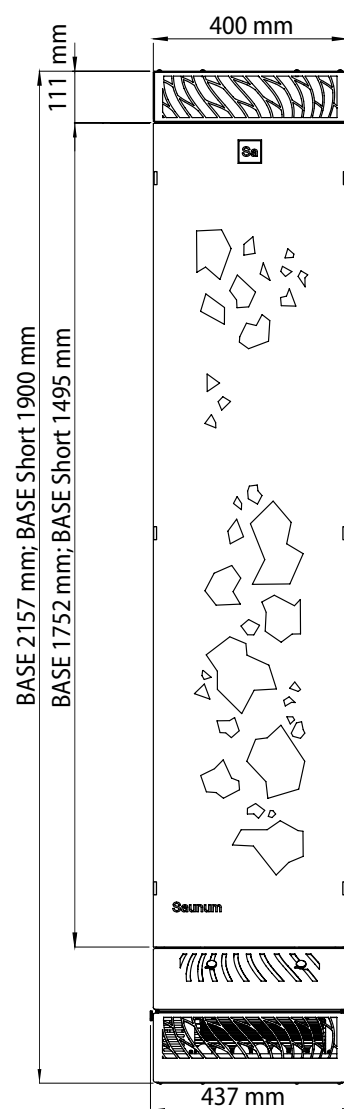
Abmessungen der Modelle Saunum BASE / BASE Short.

ANSICHT VON DER SEITE

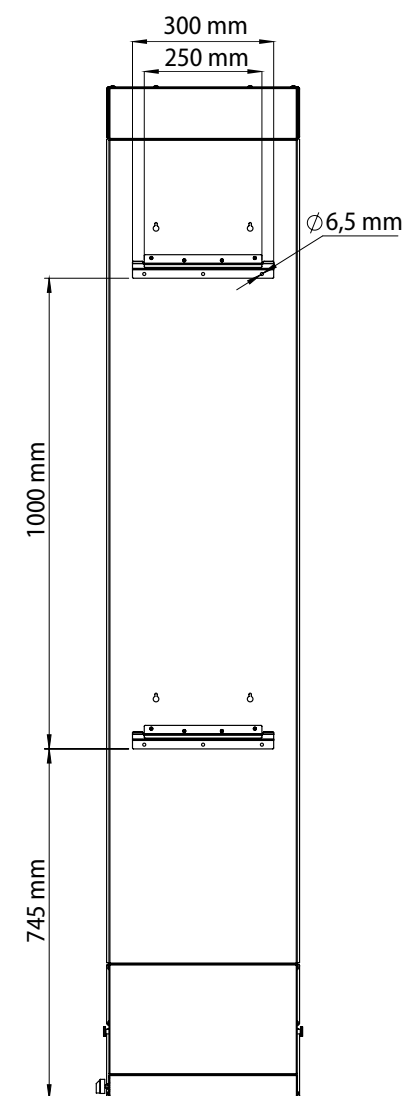


Sa

ANSICHT VON VORNE



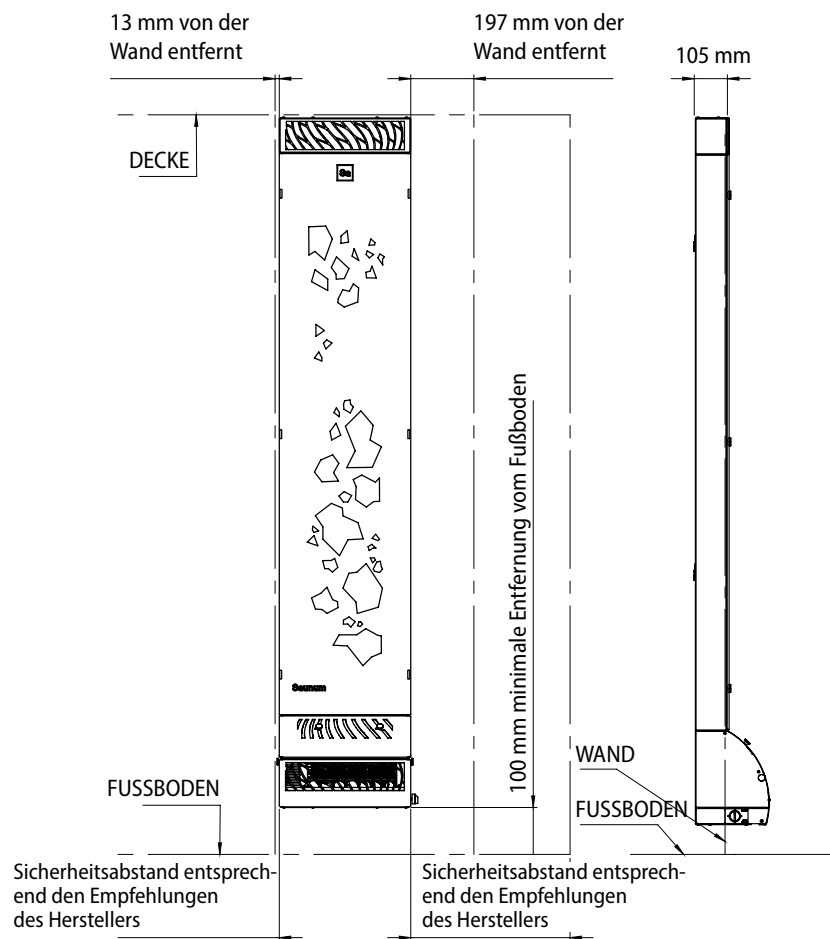
ANSICHT VON HINTEN



Sa

Abbildung 1A – Montageabstände der Modelle Saunum BASE/BASE Short.

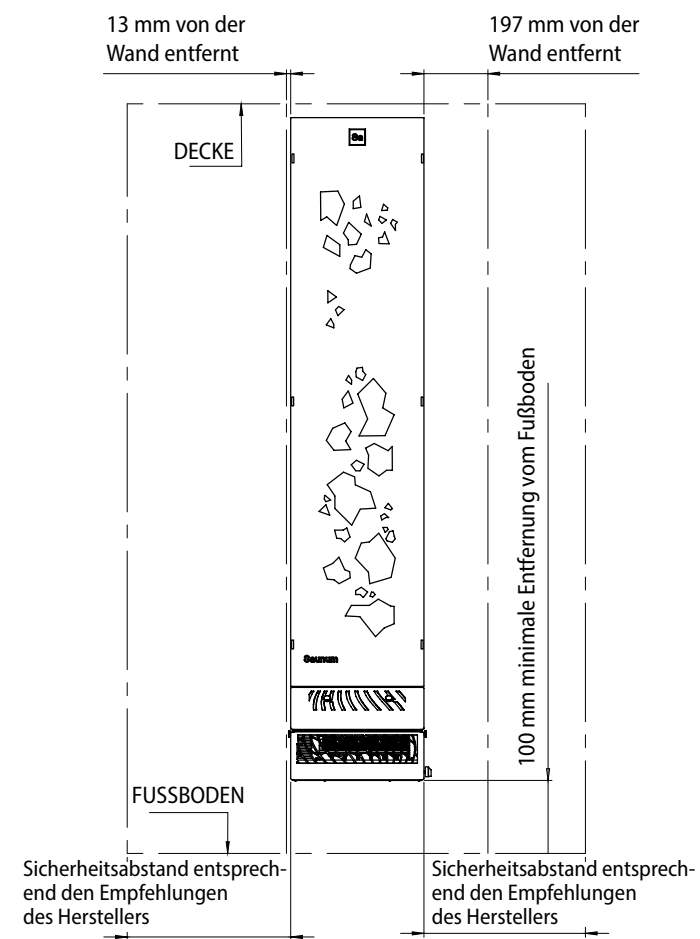
IN DIE WAND ZU INSTALLIERENDES GERÄT



Sa

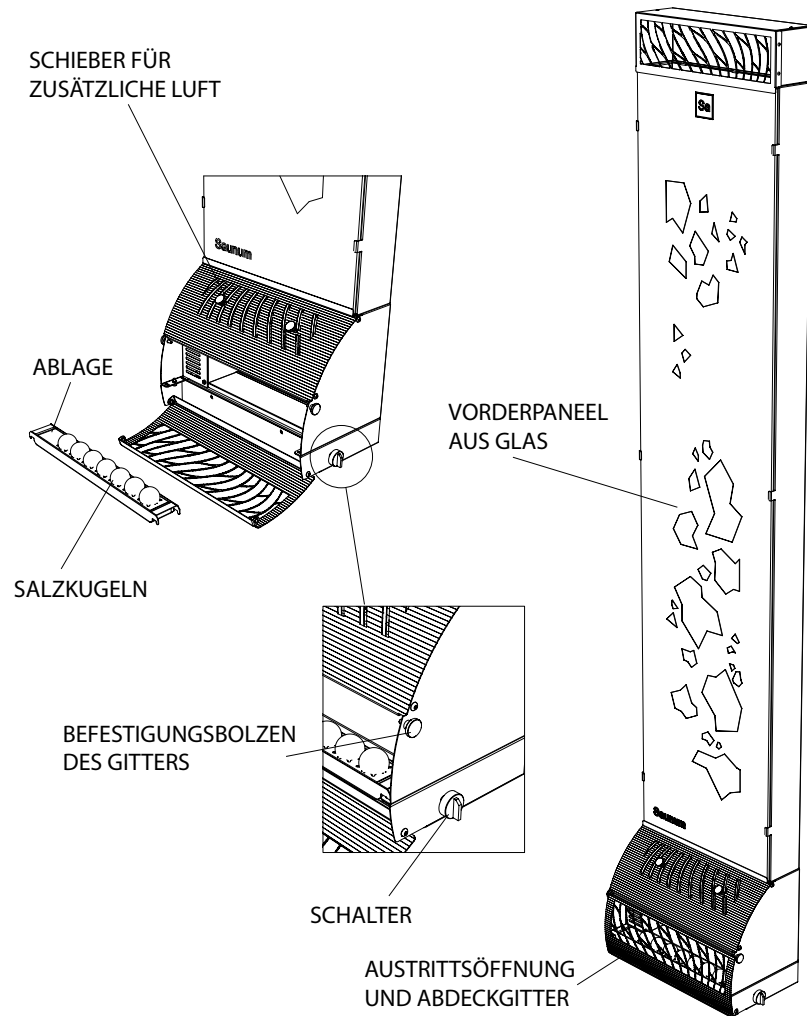
Abbildung 1B – Montageabstände der Modelle Saunum BASE/BASE Short.

AN DIE WAND ZU INSTALLIERENDES GERÄT



Sa

Abbildung 1C – Geräteteile des Modells Saunum BASE/BASE Short.



Sa

Das Gerät funktioniert am effektivsten, wenn sich der Rand der oberen Belüftungsöffnung in der Nähe der Decke des Aufgussraums befindet (Modell mit Schutzgitter). Wenn das Gerät nicht über ein Schutzgitter verfügt, muss es so installiert werden, dass der obere Rand 80–100 mm unterhalb der Decke liegt. Der untere Rand darf nicht dichter als 100 mm über dem Fußboden liegen, um zu vermeiden, dass auf dem Boden befindliches Wasser in die elektrischen Verbindungen gerät.

Es ist vorgesehen, das Gerät mit Hilfe der im Satz vorhandenen Aufhängeleisten an der Wand zu installieren. Am Installationsort des Geräts muss die Wand in der Lage sein, das Gewicht des Geräts von wenigstens 35 kg zu tragen, und so beschaffen sein, dass die mitgelieferten Aufhängeleisten mit Schrauben befestigt werden können. Die Aufhängeleisten werden an der Wand des Aufgussraums mit jeweils wenigstens zwei Schrauben befestigt. Das Gerät wird dann derart zur Wand angehoben, dass die obere und die untere Leiste zwischen die an der Rückseite des Geräts befestigten Leisten gleiten.

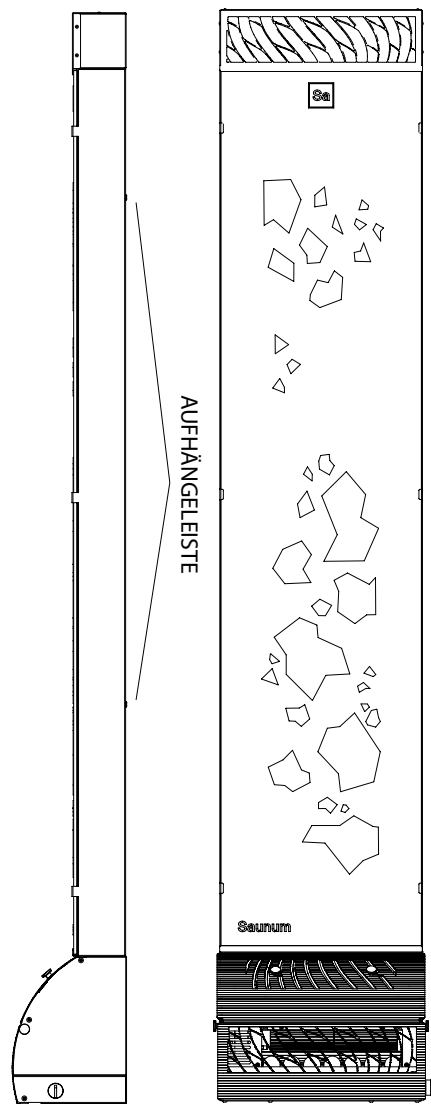
Abbildung 1D – Installation eines Geräts des Modells Saunum BASE/BASE Short.



Sa

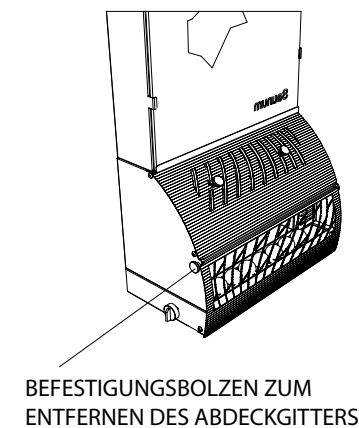
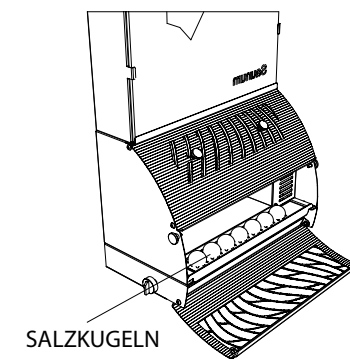
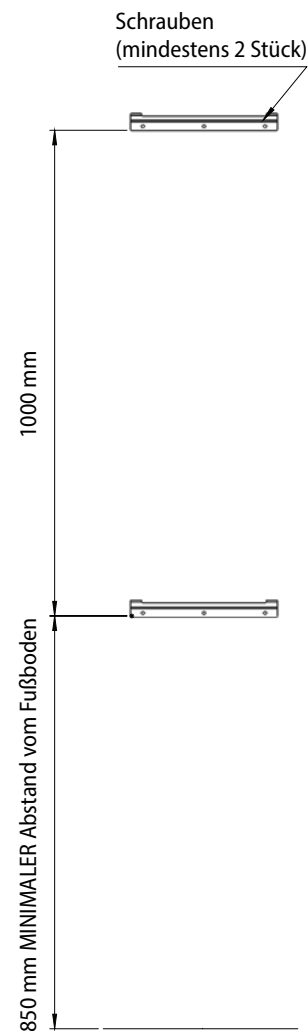
Abbildung 1E – Empfohlene Installation des Geräts des Modells Saunum BASE/ BASE Short mit Aufhängeleisten.

1. Bringen Sie die mitgelieferten Leisten an der Wand an. Nutzen Sie bei Bedarf Dübel.
2. Hängen Sie das Gerät an den an der Wand installierten Leisten auf. Achten Sie darauf, dass sich die Ösen an der Rückseite des Geräts gleichmäßig auf die Leiste stützen. (Nutzen Sie bei Bedarf eine Wasserwaage, um sicherzustellen, dass sich das Gerät im Lot befindet.)
3. Überprüfen Sie, dass auf dem Gerät keine äußeren Beschädigungen sichtbar sind. Die Nutzung des Geräts im Falle von Beschädigungen ist untersagt!



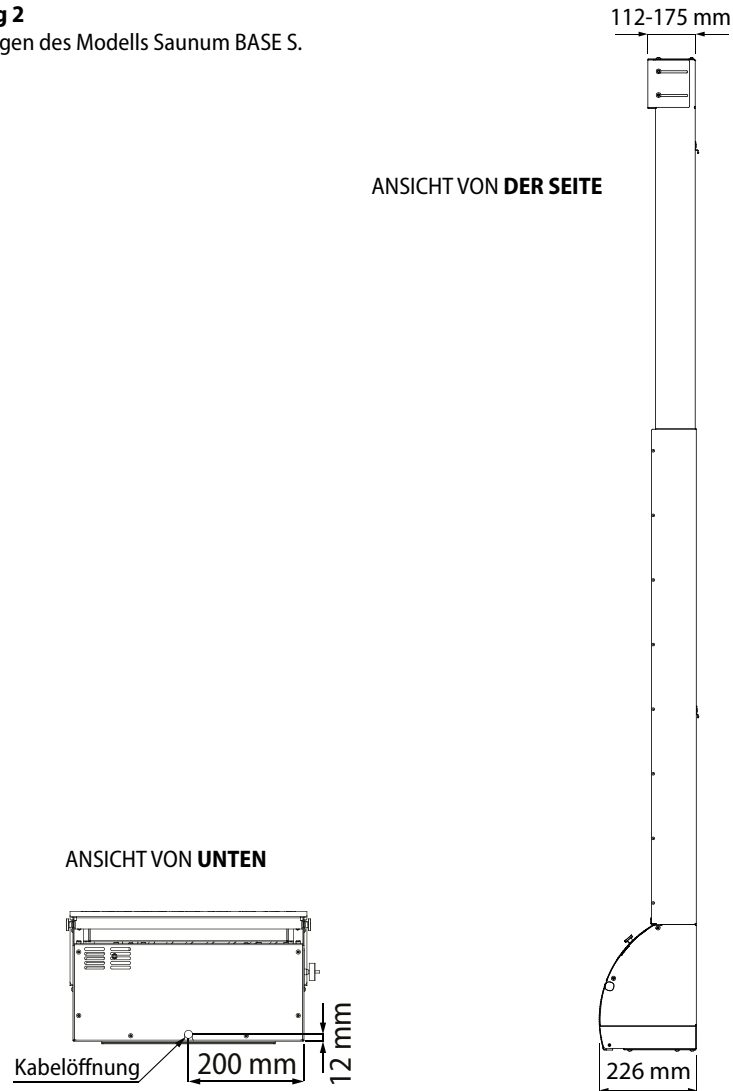
Sa

4. Installieren Sie die Salzkugeln. Die Salzkugeln werden nach der Installation des Geräts an der Wand innerhalb des Geräts angebracht. Zur Installation der Kugeln muss das untere Gitter geöffnet werden. Entfernen Sie dafür die mit der Hand drehbaren Bolzen. Legen Sie dann die Kugeln in die Ablage.

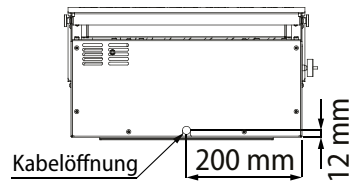


Sa

Abbildung 2
Abmessungen des Modells Saunum BASE S.

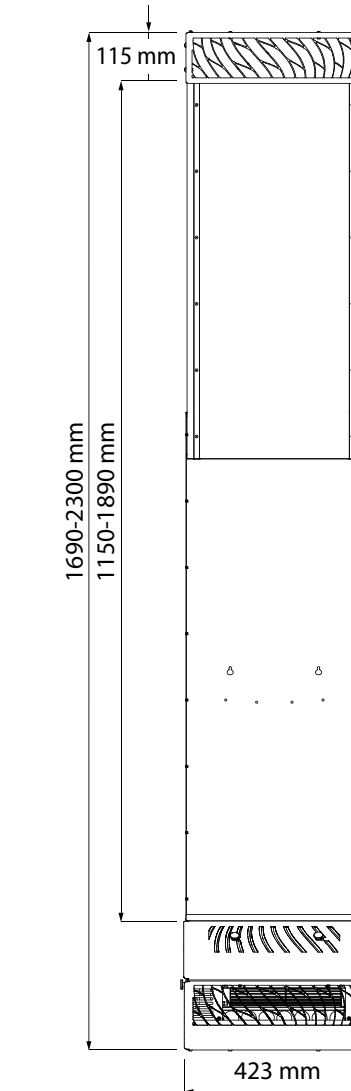


ANSICHT VON UNTEN

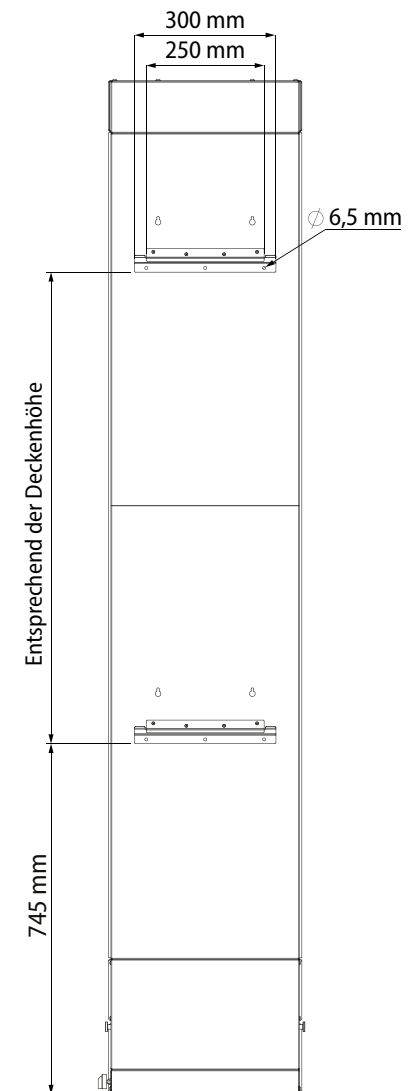


Sa

ANSICHT VON VORNE

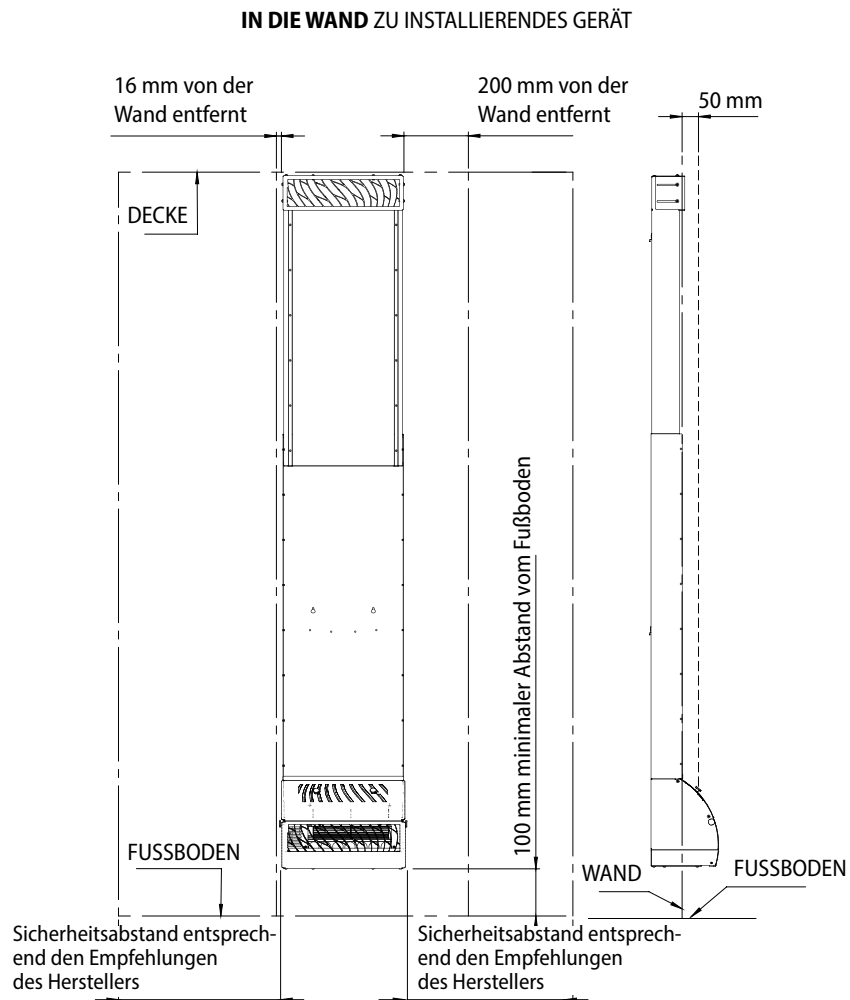


ANSICHT VON HINTEN



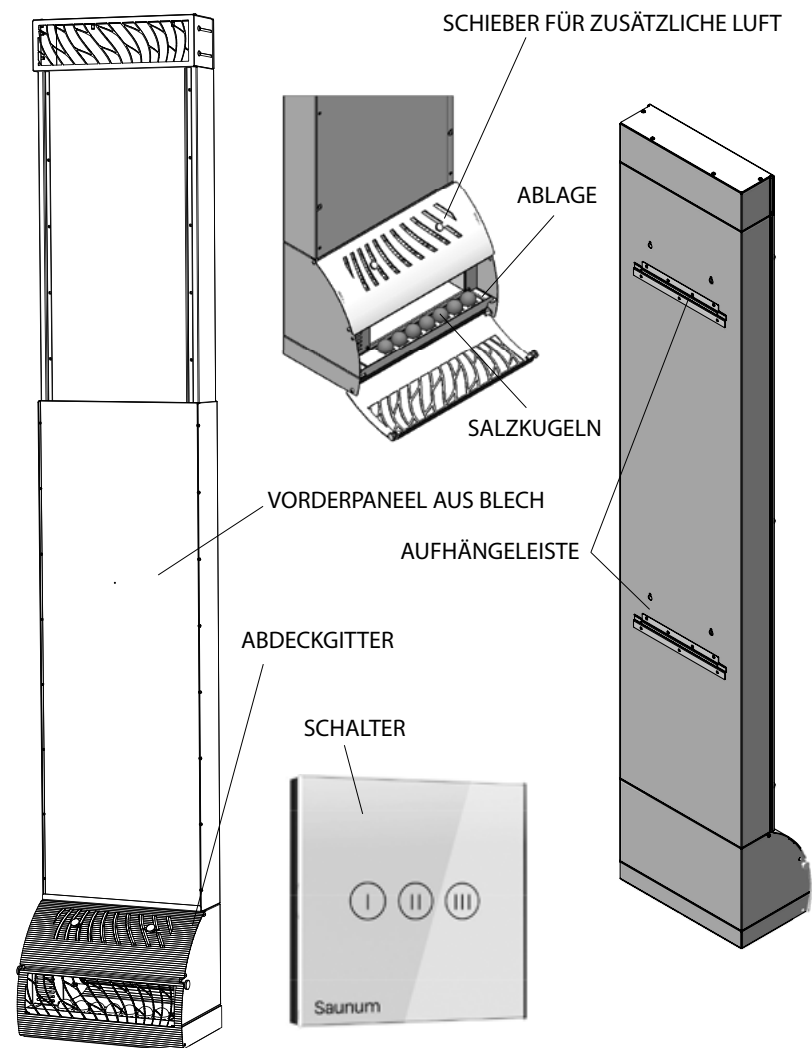
Sa

Abbildung 2A – Montageabstände des Modells Saunum BASE S.



Sa

Abbildung 2B – Geräteteile des Modells Saunum BASE S.

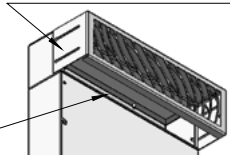


Sa

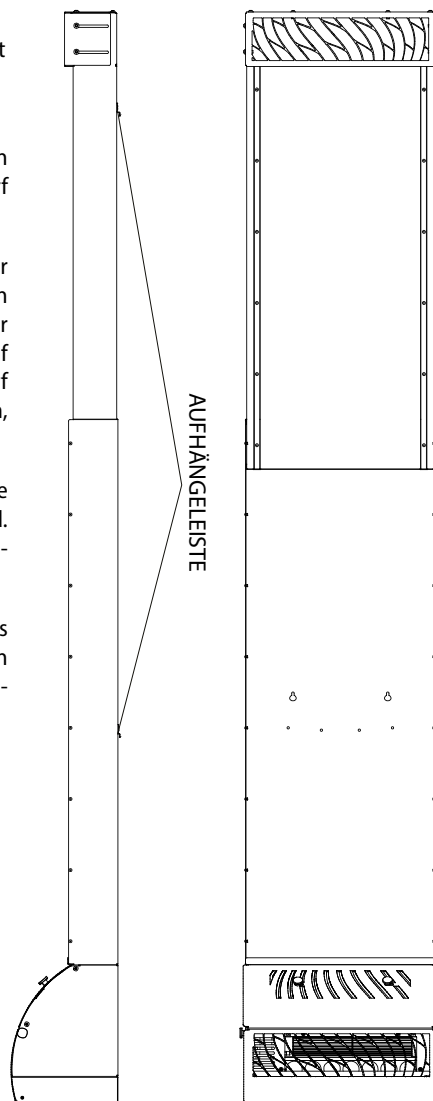
Abbildung 2C – Empfohlene Installation des Geräts des Modells Saunum BASE S mit Aufhängeleisten.

1. Bringen Sie die mitgelieferten Leisten an der Wand an. Nutzen Sie bei Bedarf Dübel.
2. Hängen Sie das Gerät an den an der Wand installierten Leisten auf. Achten Sie darauf, dass sich die Ösen an der Rückseite des Geräts gleichmäßig auf die Leiste stützen. (Nutzen Sie bei Bedarf eine Wasserwaage, um sicherzustellen, dass sich das Gerät im Lot befindet.)
3. Überprüfen Sie, dass auf dem Gerät keine äußeren Beschädigungen sichtbar sind. Die Nutzung des Geräts im Falle von Beschädigungen ist untersagt!
4. Decken Sie vor der Inbetriebnahme des Geräts alle unverschlossenen Öffnungen ab. Verwenden Sie dafür das vorgesehene Aluminiumband.

Seiten und Oberseite des Deckels verstellbar

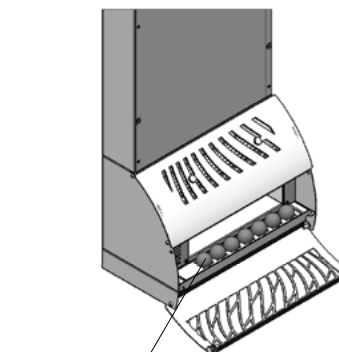
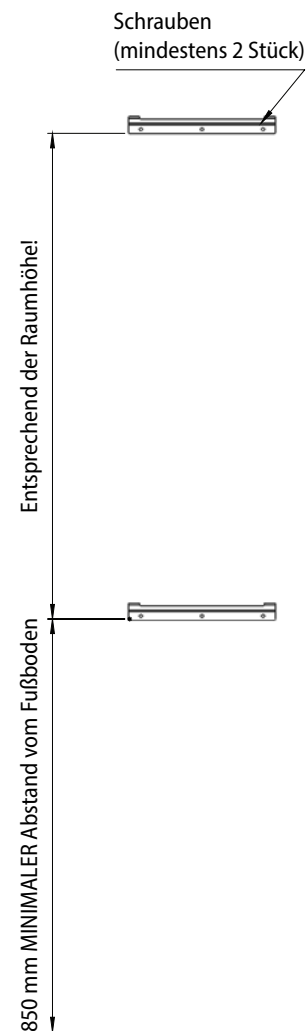


Öffnung unter dem Deckel nach der Einstellung des Teleskop-Deckels

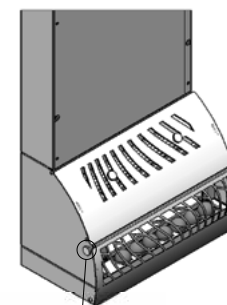


Sa

5. Installieren Sie die Salzkugeln. Die Salzkugeln werden nach der Installation des Geräts an der Wand innerhalb des Geräts angebracht. Zur Installation der Kugeln muss das untere Gitter geöffnet werden. Entfernen Sie dafür die mit der Hand drehbaren Bolzen. Legen Sie dann die Kugeln in die Ablage.



Salzkugeln



Befestigungsbolzen zum Entfernen des Abdeckgitters

Sa

ELEKTRISCHER ANSCHLUSS

ACHTUNG! Das Gerät muss von einer für elektrische Arbeiten qualifizierten Person gemäß den geltenden Standards und Anforderungen installiert werden.

Der Anschluss des Geräts muss mit einer Schraubklemme und einem festangebrachten, den Temperaturbedingungen des Umfelds entsprechenden Kabel gemäß den Schaltplänen in dieser Anleitung (Abbildungen 3, 3A, 4, 5 und 6 auf den folgenden Seiten) vorgenommen werden.

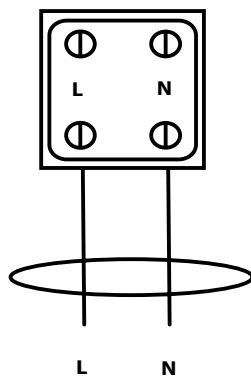
Der Außendurchmesser des Kabels darf 10 mm nicht übersteigen. An die Anschlussklemme des Geräts muss eine Schutzerdung (PE) mit einer Leitungsstärke von wenigstens 1,5 mm² angeschlossen werden. Das Gerät muss über eine Stromquelle mit 230 VAC, 50/60 Hz versorgt werden, die über einen C2-Überstromschutz abgesichert ist, und der Versorgungskreis des Geräts muss mit einem Fehlerstrom-Schutzschalter versehen sein, um die Sicherheit der Personen im Aufgussraum zu gewährleisten.

Die Beleuchtung des Geräts muss entweder mit einem Schalter außen oder innen verbunden sein. Der Stromkreis eines äußeren Lichtschalters muss ebenfalls mit Überstrom- und Überspannungssicherungen versehen sein.

Die Kreise der Beleuchtung und des Ventilators werden mit äußeren Schaltern

verbunden, deren Stromkreise mit Überstrom- und Überspannungs-Schutzrichtungen versehen sind. Das Stromkabel muss vertikal von unten in den Korpus eintreten, es ist zu vermeiden, dass Wasser entlang des Kabels in den Korpus des Geräts eintritt. Die äußere Isolation des Kabels kann nur an dem Teil des Kabels abgenommen werden, der in den Korpus hineinreicht.

Abbildung 3 – Verbindung des Stromkabels bei einem Gerät, dessen Ventilator mit einem inneren Geschwindigkeitsschalter versehen ist.



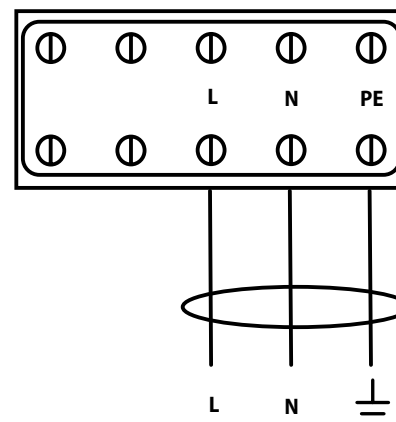
Der Schaltplan gilt nur für beleuchtete Geräte mit äußerem Schalter!

Achtung! Der Anschluss ist nach den Anweisungen im Schaltplan des Geräts umzusetzen.

Achtung! Der Stromkreis muss Fehlerstrom- und Überstrom-Schutzschalter enthalten!

Sa

Abbildung 3A – Verbindung des Stromkabels bei einem Gerät, dessen Ventilator mit einem Geschwindigkeitsschalter versehen ist. Hauptversorgung des Geräts.



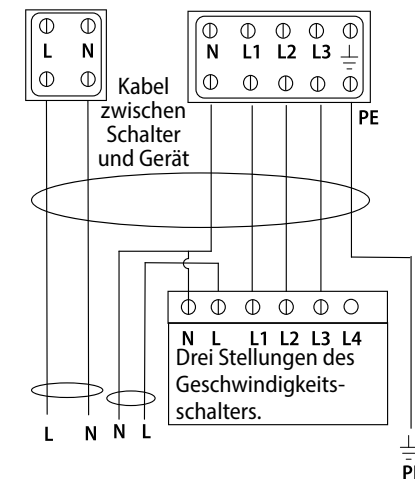
Achtung! Nur über Fehlerstrom- und Überstrom-Schutzschalter verbinden!

Das zu nutzende Stromkabel muss für eine feste elektrische Installation vorgesehen sein und den Anforderungen der elektrischen Installation in einem Aufgussraum entsprechen. Der Querschnitt der Leitung muss 1,5–2,5 mm² betragen.

Führen Sie das Stromkabel durch die Öffnung am Boden des Geräts entsprechend der Installationsanleitung ein.

Das Stromkabel darf nicht auf dem Fußboden des Aufgussraums verlaufen.

Abbildung 4 – Anschluss des Stromkabels bei einem Gerät, dessen Ventilator mit einem äußeren Geschwindigkeitsschalter versehen ist.



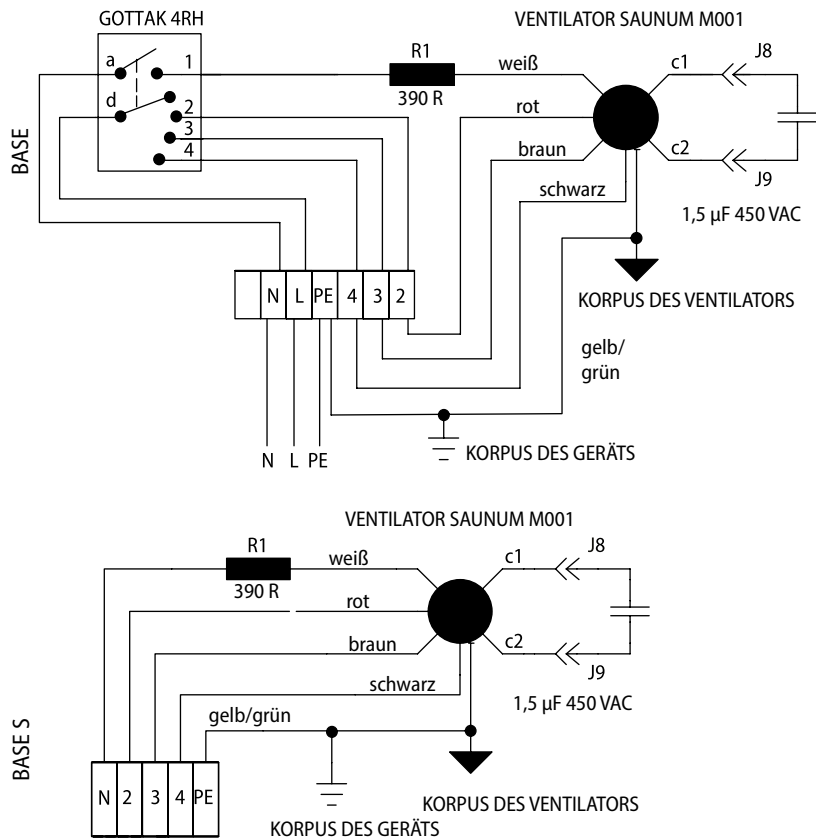
Achtung! Der Stromkreis muss Fehlerstrom- und Überstrom-Schutzschalter enthalten!

Versorgung des Ventilators. Achtung! Der Stromkreis muss Fehlerstrom- und Überstrom-Schutzschalter enthalten!

Achtung! Der Anschluss ist nach den Anweisungen im Schaltplan des Geräts umzusetzen.

Sa

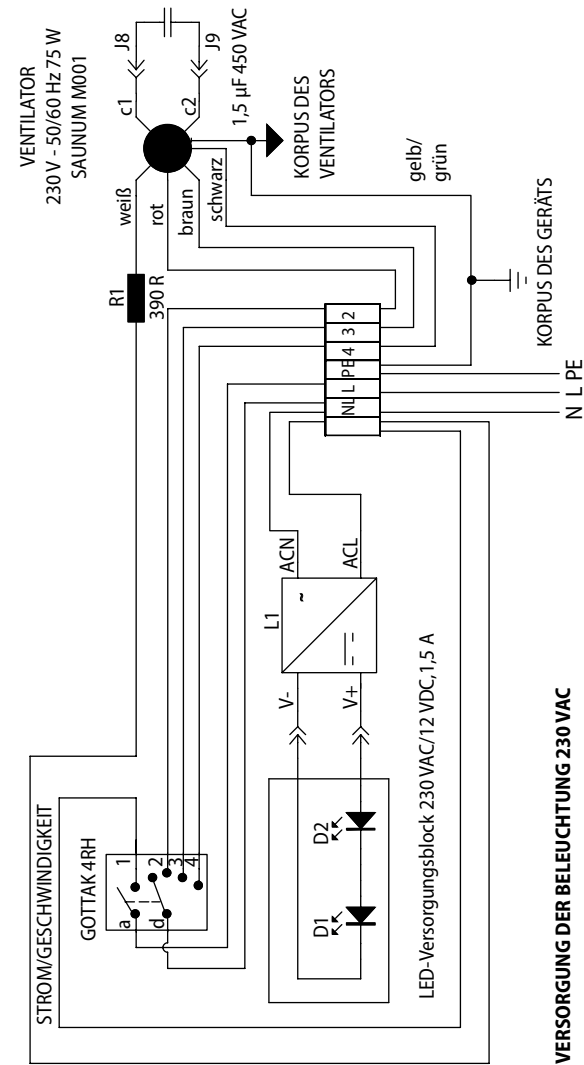
Zeichnung 5 – Elektrischer Schaltplan. Gerät, ohne Schalter, mit Beleuchtung.



STROM/GESCHWINDIGKEIT
 230 VAC STROMEINGANGSANSCHLUSS DES VENTILATORS
 ACHTUNG! DARF NUR ÜBER EINEN SICHERUNGSAUTOMATEN
 ANGESCHLOSSEN WERDEN!

Sa

Zeichnung 6 – Elektrischer Schaltplan. Gerät, mit Beleuchtung und Schalter.



VERSORUNG DER BELEUCHTUNG 230 VAC

STROM/GESCHWINDIGKEIT
 230 VAC STROMEINGANGSANSCHLUSS DES VENTILATORS
 ACHTUNG! DARF NUR ÜBER EINEN SICHERUNGSAUTOMATEN
 ANGESCHLOSSEN WERDEN!

Sa

BEDIENUNGSANLEITUNG

Das Gerät ist für die Vereinheitlichung des Klimas im Aufgussraum während des Aufgusses vorgesehen.

Vor der erstmaligen Nutzung des Geräts muss Folgendes kontrolliert werden:

- Elektrischer Anschluss gemäß den Anforderungen.
- Versorgungsspannung entspricht der Nennspannung des Geräts.
- Erdungskabel (PE) in Ordnung.
- Befestigungen des Gerätekorpus.
- Befestigung des Geräts an der Wand.
- Überstrom- und Fehlerstrom-Schutzschalter vorhanden/in Ordnung.
- Behinderungsfreies Drehen des Rotors des Ventilators.
- Alle im Verlauf der Installation verwendeten Werkzeuge und Materialreste aus dem Gerätekorpus entfernt.

Bei der Inbetriebnahme des Geräts muss Folgendes kontrolliert werden:

- Richtung des Luftstroms – Aufnahme der Luft über die obere und Ausstoß durch die untere Öffnung.
- Kein Auftreten von anormaler Vibration oder Lärm im Ventilatorbetrieb.
- Stabilität der Beleuchtung eines Geräts mit LED-Lampen.

REGULIERUNG DES SAUNAKLIMAS

Das Volumen der vom Gerät erzeugten Luftzirkulation wird durch einen Drehschalter reguliert, der sich auf der rechten Seite des Geräts im unteren Teil befindet.

Der Schalter verfügt über vier Stellungen und er kann mit und gegen den Uhrzeigersinn gedreht werden. Wenn der Strich auf dem Schalter nach links zeigt, ist der Ventilator des Geräts ausgeschaltet. Die Geschwindigkeit des Luftstroms steigert sich, wenn Sie den Schalter im Uhrzeigersinn drehen, wobei Sie zwischen drei verschiedenen Geschwindigkeiten wählen können. (Außer Base S mit äußerem Schalter.)

Um die Lufttemperatur des Aufgussraums zu regulieren, befindet sich am Vorderpaneel des Geräts im unteren Bereich ein Kühlungsschieber für die Aufgussluft (siehe Abbildung 1C und 2B). Die empfohlene Einstellung ist, den Kühlungsschieber um 1/3 offen zu halten. Um den Aufgussdampf zu kühlen, probieren Sie, den Schieber ein wenig zu öffnen. Probieren Sie verschiedene Geschwindigkeiten des Ventilators aus, um das geeignete Innenklima für Ihre Sauna zu finden.

NUTZUNG DES GERÄTS

Das Gerät muss kurz vor Betreten des Aufgussraums eingeschaltet und sofort nach

Sa

Verlassen des Aufgussraums abgestellt werden. Das Gerät darf nicht eingeschaltet bleiben, während der Aufgussraum aufgeheizt wird oder wenn sich niemand im Aufgussraum befindet, da durch den Betrieb des Geräts die Temperatur im unteren Teil des Aufgussraums steigt und dadurch die Bank und der Fußboden zu heiß werden können.

Um die Langlebigkeit des Geräts zu gewährleisten, achten Sie bitte darauf, dass die Temperatur des Aufgussraums im unteren Bereich des Geräts 80 °C nicht übersteigt. Bei Übersteigen dieser Temperatur wird der Temperaturschutz aktiviert, und der Ventilator ausgeschaltet. Fällt die Temperatur unter die Aktivierungsgrenze des Schutzes, wird der Ventilator wieder eingeschaltet.

Der Hersteller haftet für keine Schäden am Gerät, die durch ein Übersteigen der erlaubten Nutzungstemperatur verursacht wurden.

Sofern Ihr Gerät über eine innere Beleuchtung verfügt, wird beim Einschalten des Geräts zusammen mit dem Ventilator auch die Beleuchtung eingeschaltet (siehe die Kennzeichnung des Geräts auf der Verpackung).

Wenn Ihr Gerät in die Wand integriert und mit einem äußeren, berührungsempfindlichen Schalter ausgestattet ist, müssen folgende Anforderungen erfüllt werden:

- Der äußere Geschwindigkeitsschalter

darf nur außerhalb von Aufguss- und Waschräum angebracht werden, zum Beispiel im Umkleieraum, am besten neben der Tür, um das Gerät bequem ein- und ausschalten zu können.

- Für die Auswahl der Intensität des Luftstroms hat der Schalter drei Stellungen. Das Gerät kann ein- und ausgeschaltet werden, indem Sie die berührungsempfindliche Taste für die gewünschte Geschwindigkeit drücken und halten.
- Berühren Sie zur Auswahl der Geschwindigkeit den entsprechenden Bereich.
- Sofern das Gerät über eine innere Beleuchtung verfügt, muss dafür ein gesonderter Schalter genutzt werden (Zusatzausstattung).

VERWENDUNG VON HIMALAYA-SALZKUGELN

Im Satz des Saunaklimageräts befinden sich auch Kugeln aus Himalaya-Salz. Die Verwendung von Salzkugeln im Gerät ist freiwillig und beeinflusst nicht die Hauptfunktion des Geräts.

Wenn Salzkugeln verwendet werden, müssen diese in die Ablage zwischen dem Luftaustrittsgitter und dem Ventilator gelegt werden. Überzeugen Sie sich, dass die Salzkugeln korrekt angebracht sind und das Drehen des Ventilators nicht behindern.

Sa

Zum Einlegen oder Entfernen der Salzkugeln (siehe Abbildung 1D und 2C) öffnen Sie die zwei Befestigungsschrauben des Austrittsgitters und drehen Sie das Gitter an den Scharnieren nach unten. Wenden Sie keine übermäßige Kraft an! Nach dem Einlegen oder Entfernen der Salzkugeln schließen Sie das Gitter der Austrittsöffnung wieder und befestigen Sie es erneut mit den beiden Bolzen.

Das Saunaklimagerät darf nur mit montiertem Gitter verwendet werden!

WARNUNGEN

- Ein langer Aufenthalt im Aufgussraum erhöht die Körpertemperatur, dies kann gesundheitsschädlich sein!
- Erlauben Sie Kindern, behinderten oder kranken Personen nicht, sich ohne Aufsicht im Aufgussraum aufzuhalten!
- Konsultieren Sie einen Arzt wegen medizinischer Kontraindikationen bezüglich des Saunierens!
- Konsultieren Sie einen Arzt wegen medizinischer Kontraindikationen bezüglich einer Salzkur!
- Überzeugen Sie sich, dass Sie keine Allergien gegen eine Salzkur haben. Saunum haftet nicht für die Nebenwirkungen einer Salzkur!
- Konsultieren Sie einen Kinderarzt (oder den Hausarzt) bezüglich des Aufenthalts von Kindern im Aufgussraum!
- Seien Sie bei der Bewegung im Aufgussraum vorsichtig, denn die Bänke und der Fußboden können glatt sein!
- Gehen Sie nicht unter Einfluss von Alkohol, Arzneimitteln und Narkotika in die Sauna!
- Schlafen Sie nicht im heißen Aufgussraum!
- Meeresluft und ein feuchtes Klima können auf den Metallflächen des Ofens eine oxidierte Schicht (Rost) hervorrufen!
- Überzeugen Sie sich davon, dass es im Aufgussraum eine ordentliche Belüftung gibt. Saunum haftet nicht für eine mögliche, durch Salz hervorgerufene Korrosion von Geräten und Technik. Bei Bedarf konsultieren Sie einen Spezialisten!
- Hängen Sie im Aufgussraum keine Handtücher und Kleidungsstücke zum Trocknen auf – dies kann Brandgefahr hervorrufen!
- Übermäßige Feuchtigkeit kann elektrische Geräte schädigen!

Achtung! Lassen Sie den Ventilator des Saunaklimageräts nicht laufen, wenn Sie selbst nicht im Aufgussraum sind – dies verursacht übermäßigen Stromverbrauch und die Saunabänke werden zu heiß!

Sa

WARTUNG UND REPARATUR

VORSICHT! Vor der Wartung und Reinigung des Geräts muss das Gerät vom Stromnetz getrennt und abgewartet werden, bis die beweglichen Teile des Geräts vollständig zum Stillstand gekommen sind.

Vor Wartung und Säuberung des Geräts überzeugen Sie sich davon, dass:

- Das Gerät vom Stromnetz getrennt ist (zusätzlich zum Hauptschalter des Geräts auch mit Hilfe des Überstrom-Schutzschalters).
- Der Ventilator des Geräts vollständig ruht.
- Bei der Arbeit die geltenden Vorschriften zum Arbeitsschutz eingehalten werden und die richtige Schutzausrüstung getragen wird.
- Die Verbindungskabel nicht beschädigt sind. Beschädigte Verbindungskabel müssen durch einen qualifizierten Elektriker gemäß den gültigen Standards und Anforderungen ersetzt werden, bevor die Wartungs- und Reinigungsarbeiten fortgesetzt werden.

Der Korpus des Geräts kann mit einem mit Wasser angefeuchteten Lappen gereinigt werden.

Keine Hochdruckreinigung und fließendes Wasser für die Säuberung

verwenden! Keine chemischen Reinigungsmittel oder Lösungsmittel zum Reinigen des Geräts verwenden!

Übermäßiger Schmutz kann zu einer Unwucht des Ventilators führen, die einen höheren Geräuschpegel im Betrieb des Geräts zur Folge hat. Beschädigte oder verformte Ventilatorblätter können ebenfalls den Geräuschpegel erhöhen. Achten Sie darauf, dass keine anderen Gegenstände in den Betriebsbereich des Ventilatorrotors geraten.

Im Allgemeinen muss der Ventilator nicht häufiger als einmal jährlich gereinigt werden. Die Reinigung des Ventilators darf nur eine Person mit entsprechender Qualifikation durchführen.

Die Verwendung von Druckluft zur Reinigung des Ventilators kann den Ventilatorrotor irreparabel beschädigen!

Die Lager des Ventilators sind wartungsfrei und müssen bei Auftreten von Problemen ersetzt werden.

Achten Sie darauf, dass sich in den Luftöffnungen des Ventilators keine anderen Gegenstände befinden. Kinder dürfen das Gerät nicht reinigen.

Bei Verwendung von Himalaya-Salzkugeln im Saunaklimagerät sollte einmal jährlich deren Abnutzung geprüft werden (siehe Abbildung 1D und 2C).

Wenn sich der Durchmesser der Kugeln um mehr als die Hälfte verringert hat, müssen

Sa

neue Salzkugeln eingelegt werden. Dafür muss der Behälter für die Kugeln vom Gerät entfernt und unter fließendem Wasser abgespült werden, um die Salzreste zu entfernen. Bringen Sie anschließend den Behälter wieder an und legen Sie neue Salzkugeln an den vorgesehenen Stellen ein.

Im Falle von irgendwelchen Störungen im Betrieb des Ventilators und der Beleuchtung des Geräts ist die Benutzung des Geräts unverzüglich zu stoppen. Das Gerät muss von einer Person mit entsprechender Qualifikation überprüft werden.

ALLGEMEINE GARANTIEBEDINGUNGEN FÜR DIE ERZEUGNISSE VON SAUNUM

Mit der Garantie für Saunum-Geräte gewährleistet Saunum, dass bei dem Produkt im festgelegten Zeitraum ab dem Kaufdatum keine durch die Materialien oder die Montagequalität bedingten Fehler auftreten. In dem Fall, dass beim Gerät innerhalb der Garantiezeit aufgrund der Verwendung von Materialien niedriger Qualität oder aufgrund der Montagequalität Fehler auftreten, dann reparieren oder ersetzen die empfohlenen Werkstattpartner von Saunum das Gerät oder das fehlerhafte Teil unter den unten angeführten Bedingungen, ohne dass für die Arbeit oder das Ersatzteil Kosten entstehen. Saunum behält sich das Recht vor zu entscheiden, ob ein fehlerhaftes Bauteil ersetzt oder das Gerät durch ein neues ersetzt wird. Die ausgetauschten fehlerhaften Bauteile verbleiben im Besitz von Saunum.

Garantiebedingungen:

1. Die Garantie gilt nur unter der Bedingung, dass zusammen mit der Forderung ein ausgefülltes Installationsprotokoll vorgelegt wird.

Sa

2. Die Garantiezeit des Geräts bei der Benutzung in einer privaten Sauna beträgt zwei (2) Jahre.
3. Die Garantiezeit des Geräts bei der Benutzung in einer öffentlichen Sauna beträgt ein (1) Jahr.

Von der Garantie ausgenommen sind:

1. Die regelmäßige Wartung und Säuberung des Geräts sowie der durch normale Abnutzung bedingte Ersatz von Komponenten;
2. Die Anpassung des Geräts oder die Veränderung mit dem Ziel, das Gerät zu einem anderen Zweck als in der Bedienungsanleitung vermerkt einzusetzen;
3. Transportrisiken;
4. Schäden, die durch eine falsche Nutzung des Geräts entstehen;
5. Schäden, die durch eine nicht den Anforderungen entsprechende Installation des Geräts entstehen;
6. Eine Reparatur des Geräts, die nicht von einer von Saunum empfohlenen Werkstatt (Werkstattspartner) umgesetzt wurde;
7. Unfälle, Blitzschlag, Wasser, Feuer, unsachgemäße Belüftung oder andere, nicht unter der Kontrolle von Saunum stehende Faktoren;

8. Störungen aufgrund der Verwendung von nicht durch Saunum empfohlenen Salzkugeln;
9. Salzkugeln.

Die empfohlenen Installateure und Wartungsunternehmen der Saunum Saunas OÜ finden Sie auf der Homepage der Saunum Saunas OÜ www.saunum.com oder indem Sie mit uns Kontakt aufnehmen unter info@saunum.com.

Die Wartungsanleitung für das Saunum-Gerät ist in der Bedienungsanleitung des Geräts enthalten.

Achtung! Das Saunaklimagerät darf nur von einem professionellen Elektriker unter Berücksichtigung der geltenden Vorschriften an das Stromnetz angeschlossen werden.

Lesen Sie bitte die gesamte Bedienungsanleitung vor dem Gebrauch des Geräts gründlich und aufmerksam durch und bewahren Sie die Anleitung für eine spätere Nutzung an einem sicheren und leicht zugänglichen Ort auf.

Sa



Sa

INSTALLATIONSprotokoll

Datum des Kaufs: _____

Typ des Ofens: _____

Aufkleber/Seriennummer: _____

Ort der Installation: _____

Datum der Installation: _____

Installateur: _____

Überprüft: _____

Datum, Unterschrift: _____

Beschreibung der ausgeführten Arbeiten: _____

Für die Installation sind alle Einzelteile vorhanden _____

Keine Farbdefekte oder Dellen _____

Entsprechend der Anleitung an der Wand oder auf dem Boden installiert _____

Die elektrischen Anschlüsse sind entsprechend der Anleitung ausgeführt _____

Die drei Stufen des Ventilators funktionieren / in der richtigen Reihenfolge _____

BEMERKUNGEN: _____

Kontaktangaben des Kunden (Name, E-Mail): _____

Arbeit abgenommen: _____

Datum des Garantiebeginns: _____

WIRD VOM KUNDEN
AUSGEFÜLLT



EG-Konformitätserklärung

Hersteller: Saunum Saunas OÜ

Adresse: Läike tee 2-4

75312 Peetri, Estland

bestätigt, dass das Erzeugnis:

Klimagerät für den Aufgussraum der Sauna

den Ansprüchen der folgenden Direktiven des Europäischen Rats unter der Bedingung entspricht, dass die Installation gemäß der vom Hersteller des Geräts herausgegebenen Installationsanleitung und den Anforderungen von EN 60 204-1 „Sicherheit von Maschinen. Elektrische Ausrüstungen von Maschinen – Teil 1: Allgemeine Anforderungen“: Richtlinie über Maschinen 2006/42/EG, Niederspannungsrichtlinie 2014/35/EU und Richtlinie über die elektromagnetische Verträglichkeit 2014/30/EU durchgeführt wurde.



Sa

Saunum

Dispositif de climatisation pour sauna

Saunum BASE / BASE Short / BASE S

Sa

LES MEILLEURES EXPÉRIENCES DE SAUNA !

*J*e vous félicite pour votre acquisition d'un dispositif Saunum, et je suis certain que notre technologie innovante vous apportera une surprise positive lors de votre prochain sauna.

J'ai une formation d'ingénieur chauffagiste, et c'est dans le sud de l'Estonie, la région dont je suis originaire, qu'est né mon amour du sauna. C'est là que l'on trouve le « sauna à la fumée », qui se distingue du classique sauna finlandais par sa température plus basse et son degré d'hygrométrie plus élevé. Dans les saunas courants, la quantité de pierres garnissant le poêle est généralement réduite, et lorsque l'on jette de l'eau sur les pierres, le dégagement de vapeur est brûlant, soudain et d'une température très inhomogène, avec une grande chaleur au niveau de la tête et des épaules tandis que les pieds restent frais. C'est une sensation très désagréable, source de maux de tête et de stress corporel. Depuis des temps immémoriaux, au contraire, dans les saunas à la fumée ou les saunas indiens, on chauffe les pierres toute la journée et on se sert de la chaleur qu'elles ont emmagasinée pour se nettoyer le corps et goûter tous les plaisirs du sauna.

Inspiré par mon expérience du sauna à la fumée, j'ai souhaité créer une expérience innovante qui utilise les meilleures propriétés de la technologie moderne du sauna authentique tout en permettant un sauna confortable et long sans brûlure excessive par la vapeur. Il fallait pour cela réussir à obtenir une température uniforme dans les régions de la tête et des pieds. Mon travail de développement s'est appuyé sur une étude réalisée en collaboration avec l'Université technologique de Tallinn, dans laquelle nous avons analysé le gradient de température et les mouvements de l'air dans le sauna. C'est



Sa

de cette combinaison de la méthode scientifique et de l'innovation technologique qu'est né Saunum.

Le dispositif breveté unique de Saunum pour brasser les couches d'air prend la vapeur chaude qui s'accumule sous le plafond et l'air plus frais au niveau du sol, pour restituer une vapeur à une température agréable et uniforme. La chaleur cesse donc d'être agressive. On peut ainsi demeurer plus longtemps dans le sauna, transpirer plus activement et se purifier la peau, sans ressentir de fatigue. De plus, la charge en pierre de nos poêles est généralement beaucoup plus importante que dans les poêles les plus répandus, ce qui est le point essentiel pour obtenir une température intérieure agréable et une vapeur douce et durable.

Sauna humide à la vapeur, sanarium, sauna thérapeutique au sel ou sauna aromatique bienfaisant – toutes ces fonctions sont accessibles au moyen des différents réglages du dispositif Saunum et permettent de faire l'expérience d'un sauna véritablement relaxant. En utilisant avec notre dispositif des boules de sel de l'Himalaya, la vapeur véhicule des ions bienfaisants dans l'air, sur la peau et dans les voies respiratoires. L'ajout d'un système aromatique rend la vapeur encore plus saine et plus agréable à respirer.

Le sauna piloté par un dispositif Saunum convient aussi bien aux adultes qu'aux enfants.

Bon sauna !

Andrus Vare
Auteur du concept et fondateur de Saunum

Sa

Saunum Saunas OÜ
vous félicite
 d'avoir choisi un dispositif
 innovant de climatisation
 pour sauna!

Sa

SOMMAIRE

Informations de sécurité _____	142
INSTRUCTIONS D'INSTALLATION	
Installation _____	144
Dimensions des modèles Saunum BASE / BASE Short _____	145
Distances d'installation du modèle Saunum BASE / BASE Short _____	146
Composants du modèle Saunum BASE / BASE Short _____	148
Installation du modèle Saunum BASE / BASE Short _____	149
Dimensions du modèle Saunum BASE S _____	152
Distances d'installation du modèle Saunum BASE S _____	154
Composants du modèle Saunum BASE S _____	155
Connexions électriques _____	158
INSTRUCTIONS D'UTILISATION	
Instructions d'utilisation _____	162
Réglage du climatiseur du sauna _____	162
Utilisation du dispositif _____	163
Utilisation de boules de sel de l'himalaya _____	163
Avertissements _____	164
Entretien et réparation _____	165
Garantie _____	166
Protocole d'installation _____	169

Sa

Ces instructions d'installation et d'utilisation sont destinées au propriétaire ou au responsable de l'entretien du sauna, ainsi qu'à l'électricien responsable de l'installation du dispositif de climatisation pour sauna. Après l'installation du dispositif, ces instructions doivent être remises au propriétaire ou au responsable de l'entretien. Avant d'utiliser le dispositif de climatisation pour sauna BASE, BASE Short ou BASE S, veuillez lire les instructions d'installation et de sécurité.

Le dispositif de climatisation pour sauna **BASE / BASE Short / BASE S** (ci-après dénommé « le dispositif ») de Saunum Saunas OÜ ne doit pas être mis en service avant que vous n'ayez lu les instructions d'installation et de sécurité !

Le dispositif est conçu pour mélanger les couches d'air dans le sauna et harmoniser la température à l'intérieur du sauna et, comme fonction supplémentaire, pour libérer des ions de sel dans l'air intérieur à partir des boules de sel de l'Himalaya incluses dans l'ensemble. Un ventilateur spécial à l'intérieur du dispositif crée un flux d'air qui, en se mélangeant, harmonise les couches d'air supérieures et inférieures à des températures différentes dans le sauna et rend la vapeur douce et uniforme.

N. B. Il est interdit d'utiliser le dispositif de climatisation pour sauna avec le radiateur à une température supérieure à 100 °C !

N. B. L'utilisation du dispositif à d'autres fins est interdite !

Assurez-vous que vous n'avez pas d'allergies ou qu'il n'y a pas de contre-indications à un environnement salin. En cas de contre-indications médicales, consultez un médecin.

Saunum Saunas OÜ n'est pas responsable des divers effets secondaires sur la santé de l'utilisateur du dispositif. L'utilisation de boules de sel de l'Himalaya dans le dispositif est facultative et n'affecte pas les performances du dispositif en termes d'harmonisation du climat du sauna.

En cas de la moindre inquiétude pour la santé, les boules de sel peuvent être retirées du bac et le dispositif peut être utilisé uniquement pour mélanger les couches d'air.

ATTENTION ! Le dispositif ne peut être mis en marche que lorsque le sauna est utilisé. Il doit être éteint lorsque le sauna est chauffé et pendant les intervalles entre les séances de sauna !

Sa

Ne versez pas d'eau sur le boîtier ou dans les ouvertures de ventilation du dispositif, et n'utilisez pas le dispositif dans des pièces où de l'eau coule sur le sol ou dans lesquelles il y a un risque de fuite de gaz inflammables/explosifs dans l'air.

Le dispositif ne doit pas être utilisé si des parties de son boîtier ont été enlevées et/ou si le schéma de câblage a été modifié. Les enfants ne doivent pas être autorisés à accéder ou à jouer avec le dispositif. Le nettoyage du dispositif ne doit pas être effectué par des enfants.

L'installation du dispositif doit être effectuée par un électricien qualifié. Le dispositif doit être connecté en permanence avec un câble adapté aux conditions de température de l'environnement. La protection de mise à la terre (PE) doit être connectée à la borne de raccordement du dispositif avec des conducteurs d'au moins 1,5 mm². Le dispositif doit être alimenté par un circuit d'alimentation protégé par des fusibles de surintensité et un interrupteur à courant différentiel. Tension d'alimentation : 230 V–50/60 Hz. Puissance : 75 W.

ATTENTION ! Avant de procéder à l'entretien et au nettoyage du dispositif, déconnectez le dispositif du réseau électrique et attendez l'arrêt complet des pièces mobiles du dispositif.

ATTENTION ! Le boîtier du dispositif comporte des coins et des bords tranchants qui pourraient causer des blessures en cas de contact accidentel.

ATTENTION ! Le dispositif doit être installé de manière à ce que la sortie de l'air ne soit pas orientée vers le radiateur.

TRANSPORT ET STOCKAGE

Le dispositif est emballé par le fabricant de manière à assurer la conservation du dispositif dans des conditions normales de transport. Évitez de faire tomber le dispositif et de le ranger sous des objets lourds. Stockez le dispositif dans une pièce sèche et protégé des intempéries.

Sa

INSTALLATION

N. B. Lisez les Informations de sécurité avant de commencer les travaux d'installation (voir pages 142 et 143) !

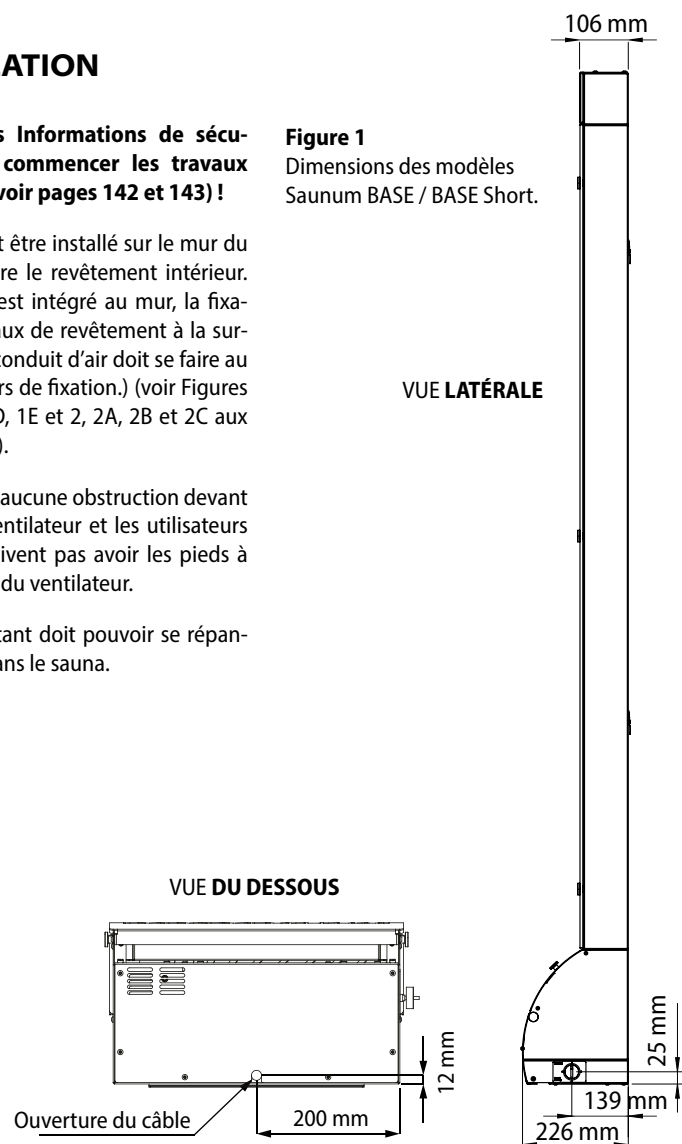
Le dispositif doit être installé sur le mur du sauna ou derrière le revêtement intérieur. (Si le dispositif est intégré au mur, la fixation des panneaux de revêtement à la surface en tôle du conduit d'air doit se faire au moyen de colliers de fixation.) (voir Figures 1, 1A, 1B, 1C, 1D, 1E et 2, 2A, 2B et 2C aux pages suivantes).

Il ne doit y avoir aucune obstruction devant la bouche du ventilateur et les utilisateurs du sauna ne doivent pas avoir les pieds à moins de 50 cm du ventilateur.

Le flux d'air sortant doit pouvoir se répandre librement dans le sauna.

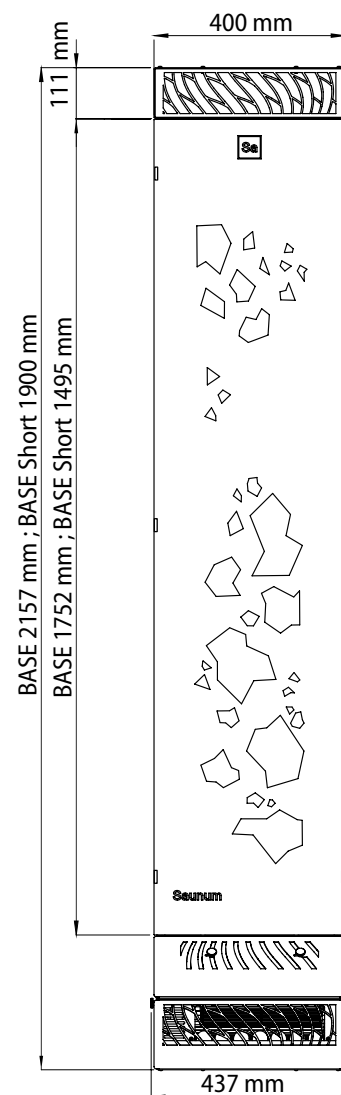
Figure 1

Dimensions des modèles Saunum BASE / BASE Short.

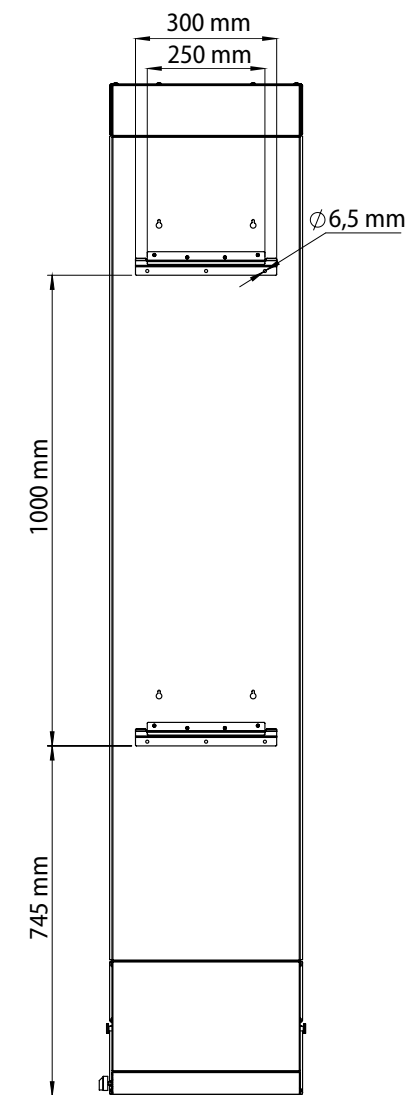


Sa

VUE FRONTALE

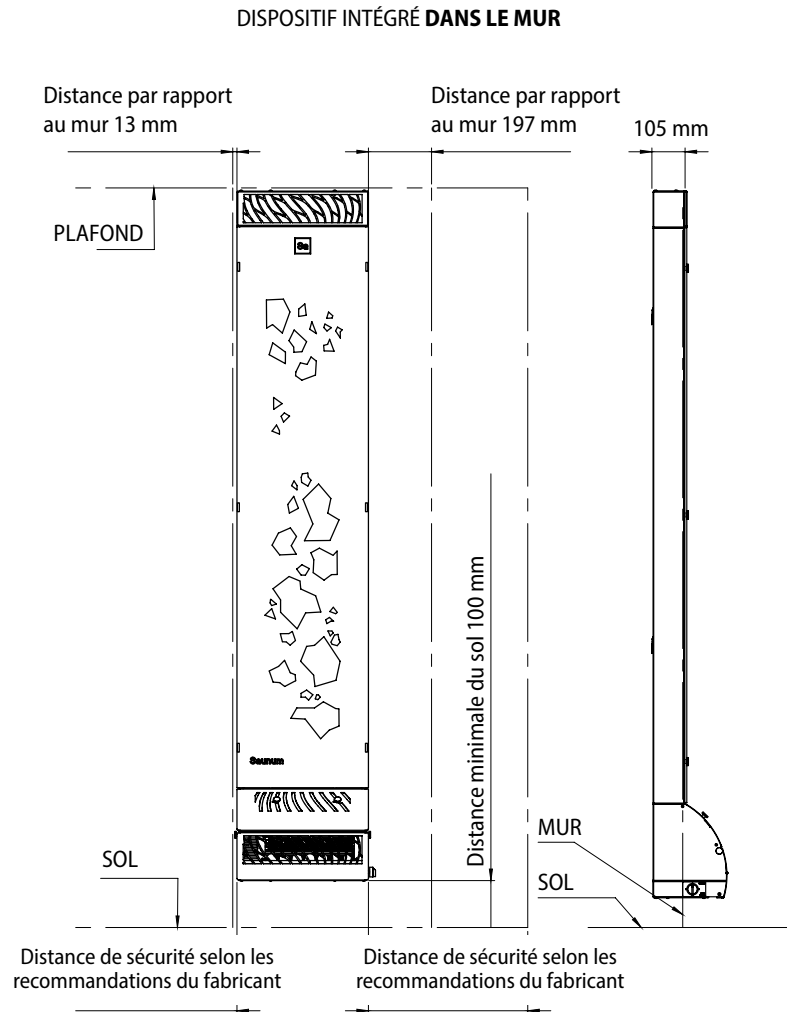


VUE ARRIÈRE



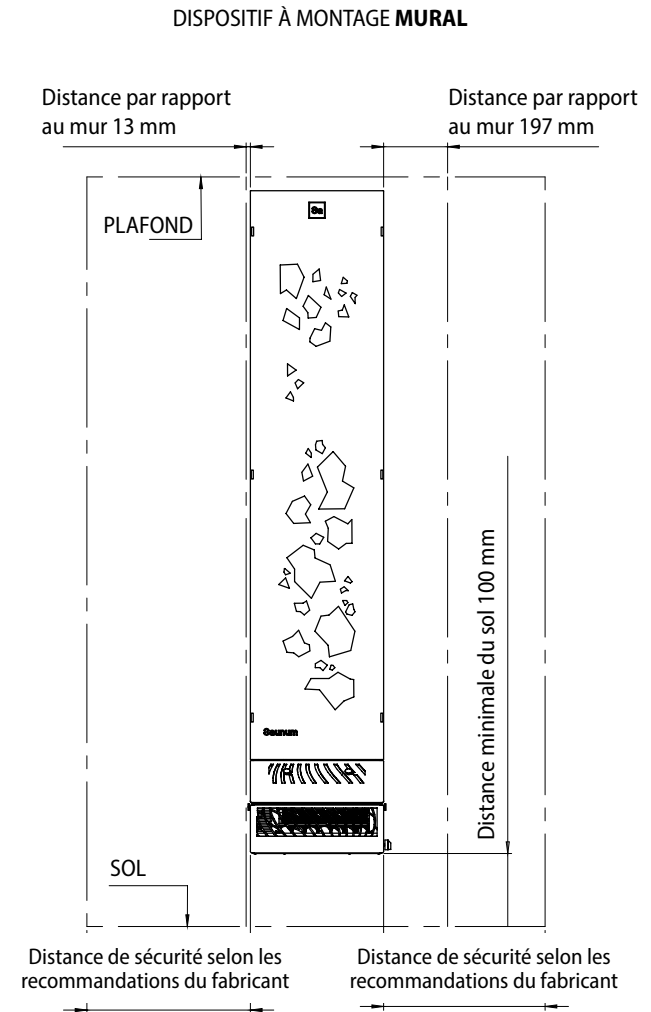
Sa

Figure 1A – Distances d'installation du modèle Saunum BASE / BASE Short.



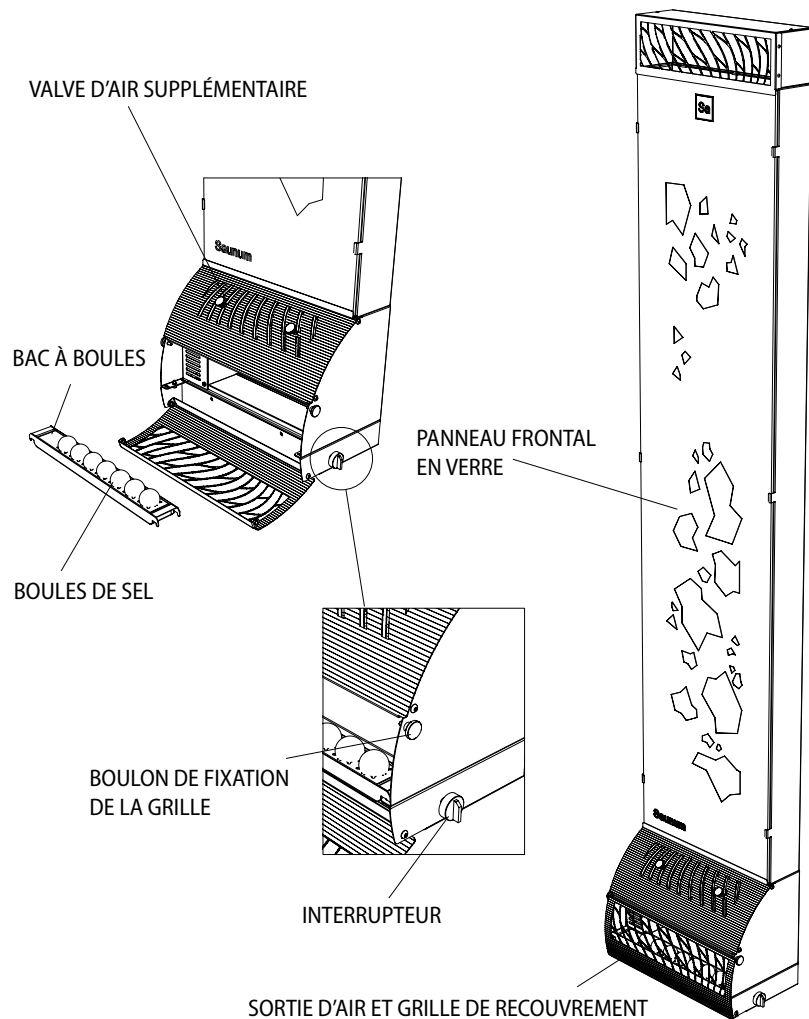
Sa

Figure 1B – Distances d'installation du modèle Saunum BASE / BASE Short.



Sa

Figure 1C – Composants du modèle Saunum BASE / BASE Short.

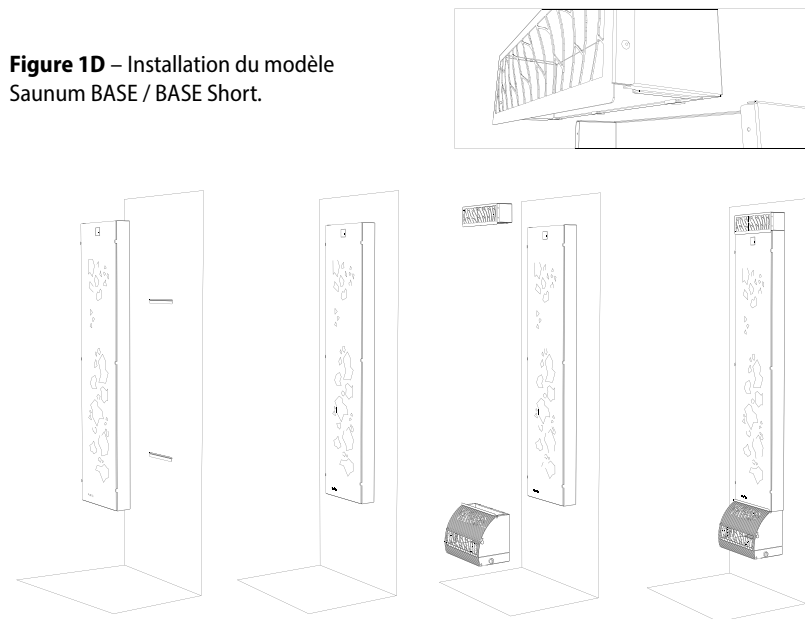


Sa

Le dispositif fonctionne le plus efficacement lorsque le bord de la prise d'air supérieure est opposé au plafond du sauna (dans le cas d'un modèle équipé d'une grille de protection). Si le dispositif n'est pas équipé d'une grille de protection supérieure, il doit être installé de manière à ce que le bord supérieur reste 80 à 100 mm en dessous du plafond. Le bord inférieur ne doit pas être à moins de 100 mm du sol pour éviter que l'eau présente sur le sol ne pénètre dans les connexions électriques du dispositif.

Le dispositif est conçu pour être installé au mur à l'aide des barres de suspension incluses dans l'ensemble. Le mur du point d'installation doit pouvoir supporter le poids du dispositif (au moins 35 kg) et doit permettre la fixation des barres de suspension incluses dans l'ensemble avec des vis. Les barres de suspension doivent être fixées au mur du sauna à l'aide d'au moins deux vis chacune. Le dispositif doit être ensuite soulevé vers le mur de sorte que les barres supérieure et inférieure glissent entre les barres situées à l'arrière du dispositif.

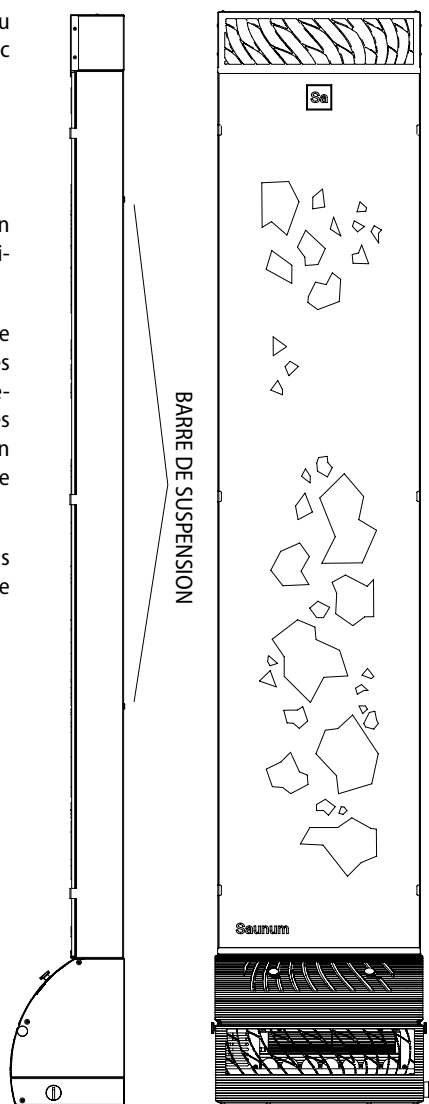
Figure 1D – Installation du modèle Saunum BASE / BASE Short.



Sa

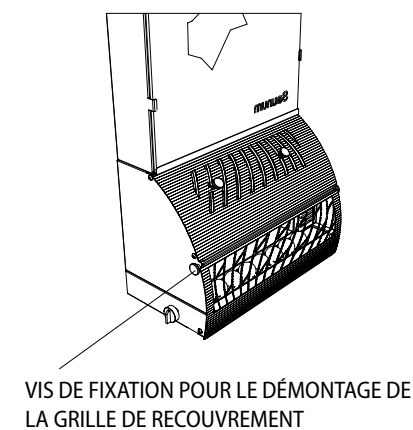
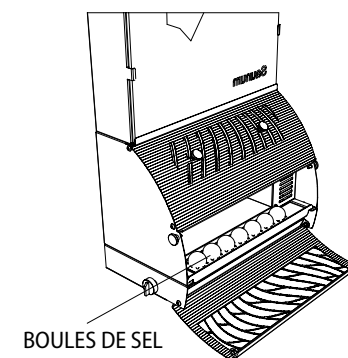
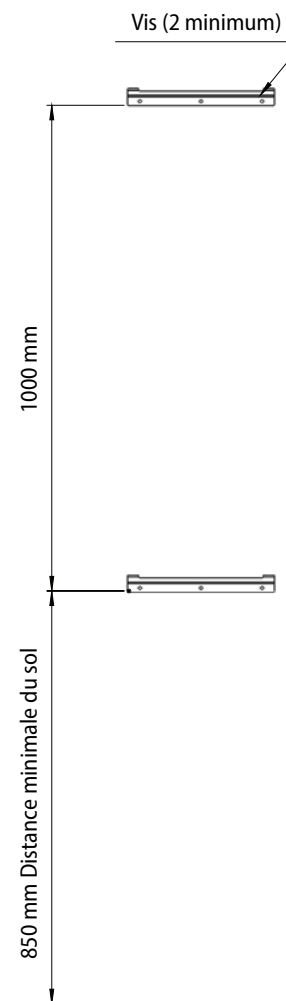
Figure 1E – Installation suggérée du modèle Saunum BASE / BASE Short avec barres de suspension.

1. Installez les barres de suspension fournies avec le dispositif sur le mur. Utilisez des chevilles si nécessaire.
2. Accrochez le dispositif sur les barres de suspension murale. Veillez à ce que les œillets situés à l'arrière du dispositif reposent également sur les deux barres de suspension (si nécessaire, utilisez un niveau à bulle pour vous assurer que le dispositif est de niveau).
3. Vérifiez que le dispositif ne présente pas de dommages extérieurs. N'utilisez pas le dispositif s'il est endommagé !



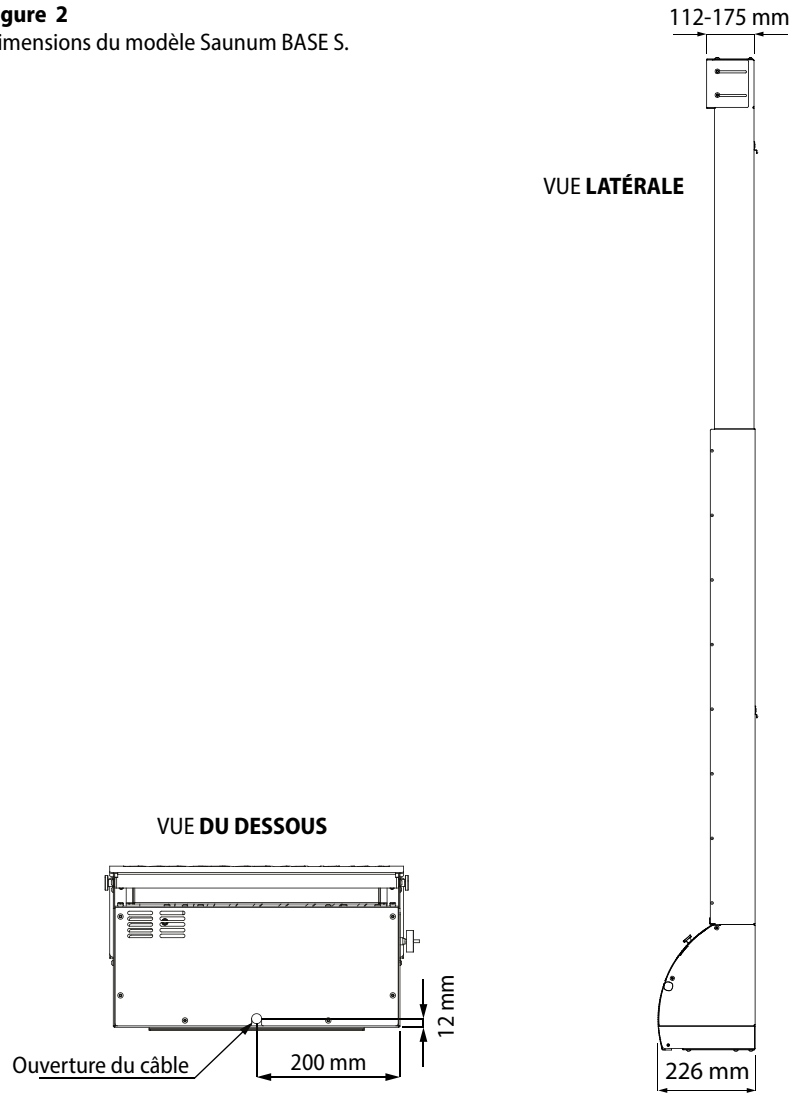
Sa

4. Installez les boules de sel. Les boules de sel doivent être placées dans le dispositif après son installation au mur. Pour installer les boules, ouvrez la grille inférieure en retirant les deux vis amovibles manuellement et placez les boules dans leurs cavités sur le bac à boules.



Sa

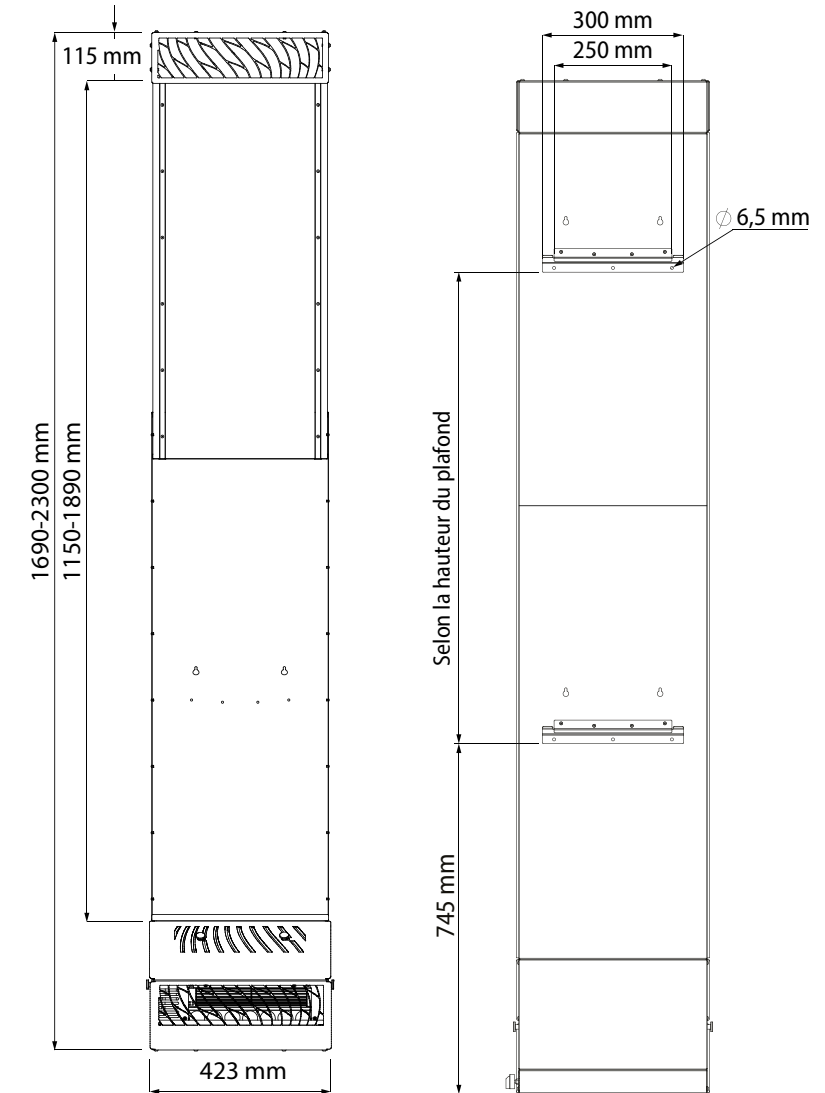
Figure 2
Dimensions du modèle Saunum BASE S.



Sa

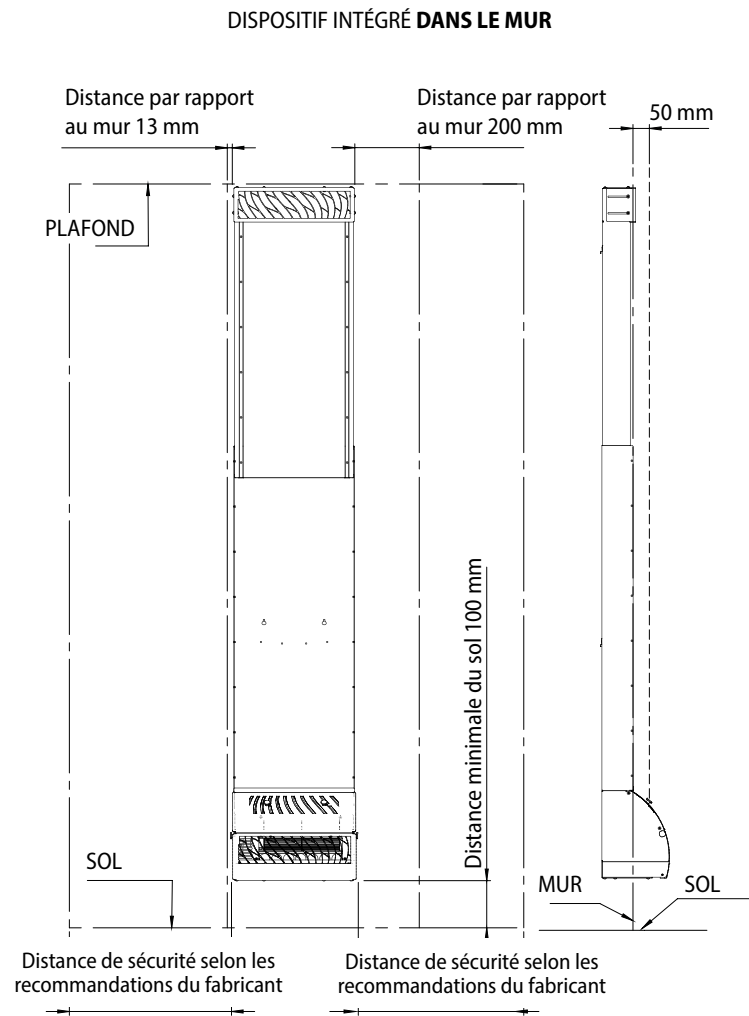
VUE FRONTALE

VUE ARRIÈRE



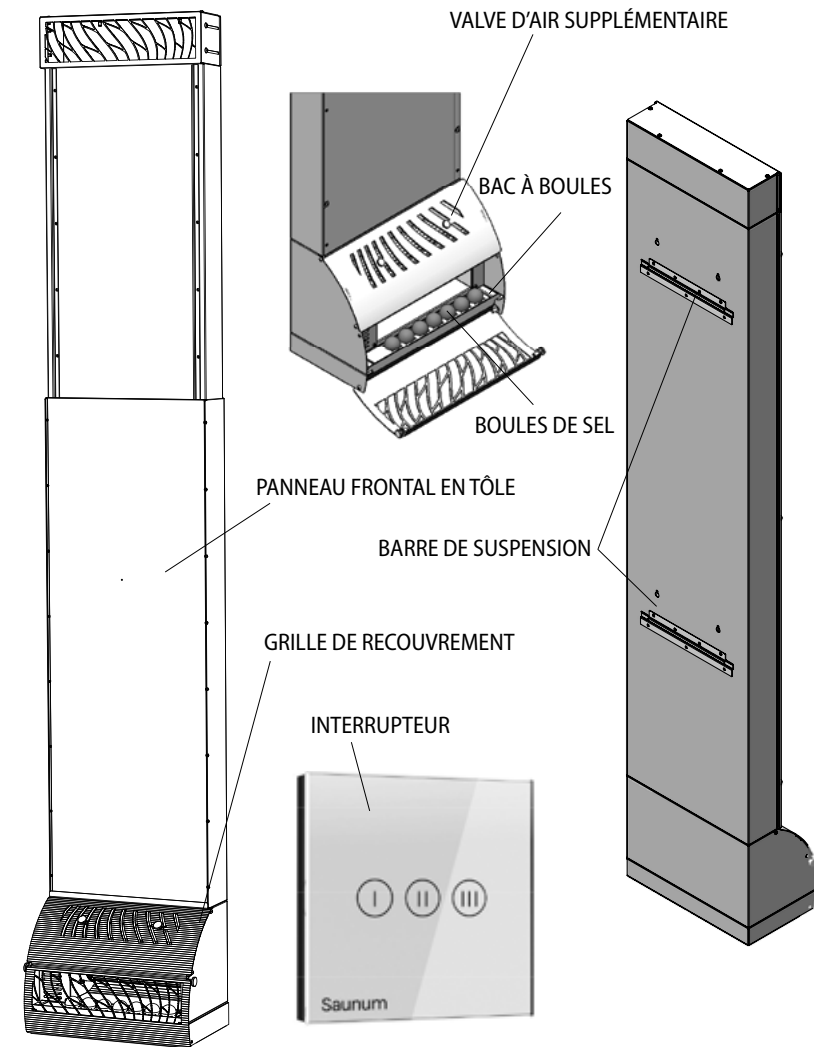
Sa

Figure 2A – Distances d'installation du modèle Saunum BASE S.



Sa

Figure 2B – Composants du modèle Saunum BASE S.

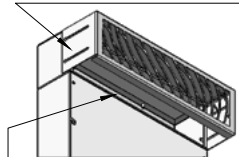


Sa

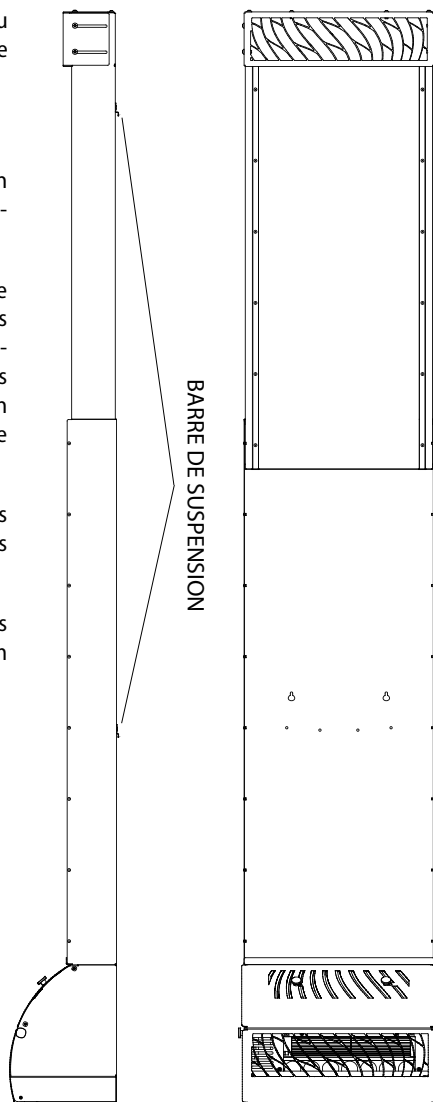
Figure 2C – Installation suggérée du modèle Saunum BASE S avec barres de suspension.

1. Installez les barres de suspension fournies avec le dispositif sur le mur. Utilisez des chevilles si nécessaire.
2. Accrochez le dispositif sur les barres de suspension murale. Veillez à ce que les œillets situés à l'arrière du dispositif reposent également sur les deux barres de suspension (si nécessaire, utilisez un niveau à bulle pour vous assurer que le dispositif est de niveau).
3. Vérifiez que le dispositif ne présente pas de dommages extérieurs. N'utilisez pas le dispositif s'il est endommagé !
4. Avant d'utiliser le dispositif, recouvrez les ouvertures avec le ruban d'aluminium fourni.

Ouvertures de réglage sur les côtés et le dessus du couvercle

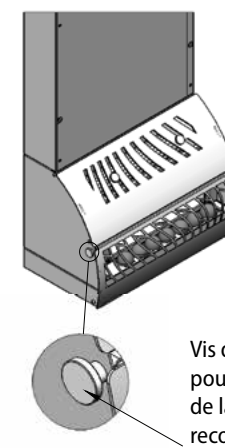
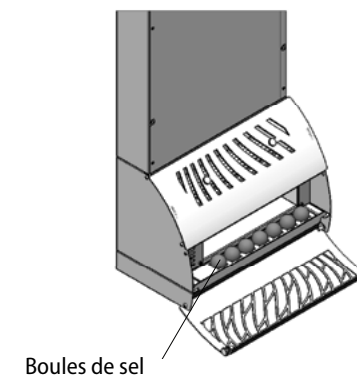
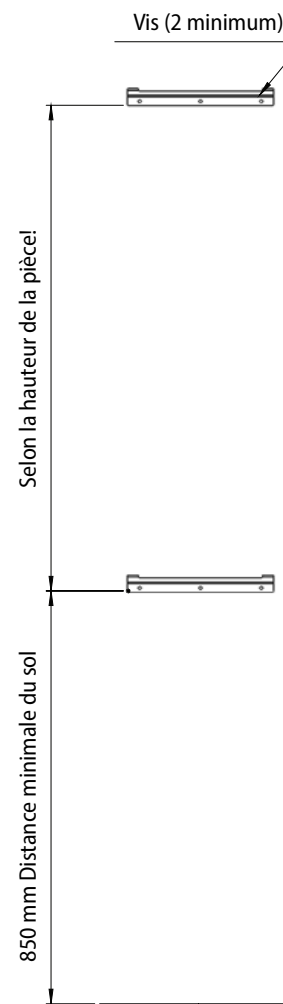


Ouverture sous le couvercle après le réglage du couvercle télescopique



Sa

5. Installez les boules de sel. Les boules de sel doivent être placées dans le dispositif après son installation au mur. Pour installer les boules, ouvrez la grille inférieure en retirant les deux amovibles manuellement et placez les boules dans leurs cavités sur le bac à boules.



Sa

CONNEXIONS ÉLECTRIQUES

ATTENTION ! La connexion électrique du dispositif doit être effectuée par un électricien qualifié, conformément aux normes et exigences applicables !

Le dispositif doit être connecté en permanence à l'aide d'un câble adapté aux conditions de température de l'environnement avec une borne à vis, conformément aux schémas de raccordement électrique fournis dans ces instructions (Figures 3, 3A, 4, 5 et 6 aux pages suivantes).

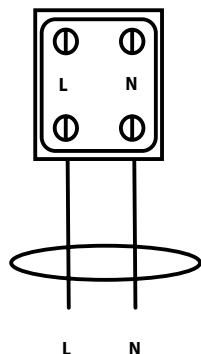
Le diamètre extérieur du câble ne doit pas dépasser 10 mm. La protection de mise à la terre (PE) doit être connectée à la borne de raccordement du dispositif avec des conducteurs d'au moins 1,5 mm². Le dispositif doit être alimenté par un circuit d'alimentation de 230 VAC 50/60 Hz protégé par un fusible de surintensité C2. En outre, le circuit d'alimentation du dispositif doit être équipé d'un interrupteur à courant différentiel afin de garantir la sécurité des personnes présentes dans le sauna.

L'éclairage du dispositif doit être relié à un système de contrôle avec un interrupteur externe ou à un système de contrôle avec un interrupteur interne. Le circuit d'alimentation de l'interrupteur externe d'éclairage doit également être équipé d'un interrupteur à courant différentiel et de fusibles de surintensité.

Les circuits d'éclairage et de ventilation du dispositif doivent être raccordés à des

interrupteurs externes, dont les circuits d'alimentation doivent être équipés d'un interrupteur à courant différentiel et de fusibles de surintensité. Le câble d'alimentation doit entrer dans le boîtier du dispositif verticalement, par le bas, afin d'éviter que de l'eau ne pénètre dans le boîtier du dispositif le long du câble. Le câble ne peut être dénudé de son isolation externe que sur la partie destinée à se situer à l'intérieur du boîtier du dispositif.

Figure 3 – Connexion du câble d'alimentation sur un dispositif équipé d'un interrupteur interne de vitesse du ventilateur.



Connexion uniquement pour un dispositif avec éclairage avec un interrupteur externe !

N. B. Effectuez les connexions conformément aux instructions du schéma de câblage du dispositif.

N. B. Ne peut être connecté qu'à travers un interrupteur à courant différentiel et des fusibles de surintensité !

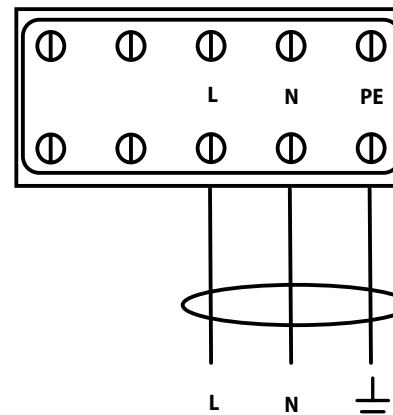


Figure 3A – Connexion du câble d'alimentation sur un dispositif équipé d'un interrupteur interne de vitesse du ventilateur. Alimentation principale du dispositif.

N. B. Ne peut être connecté qu'à travers un interrupteur à courant différentiel et des fusibles de surintensité !

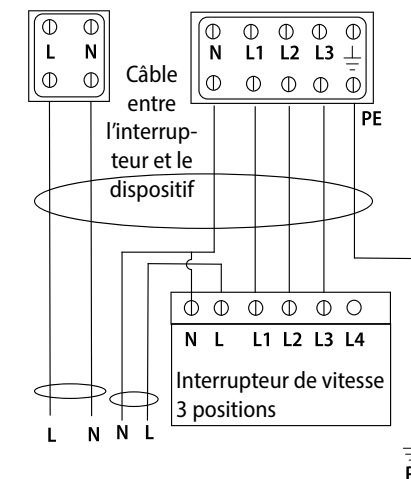
Le câble d'alimentation utilisé doit être conçu pour une installation électrique permanente et doit répondre aux exigences relatives à l'installation électrique dans les saunas. La section de la rainure du câble d'alimentation doit être comprise entre 1,5 et 2,5 mm².

Le câble d'alimentation doit être inséré dans l'ouverture située au bas du dispositif, comme indiqué dans les instructions d'installation.

Le câble d'alimentation ne doit pas être laissé sur le sol du sauna.

Sa

Figure 4 – Connexion du câble d'alimentation sur un dispositif équipé d'un interrupteur externe de vitesse du ventilateur.



N. B. Ne peut être connecté qu'à travers un interrupteur à courant différentiel et des fusibles de surintensité !

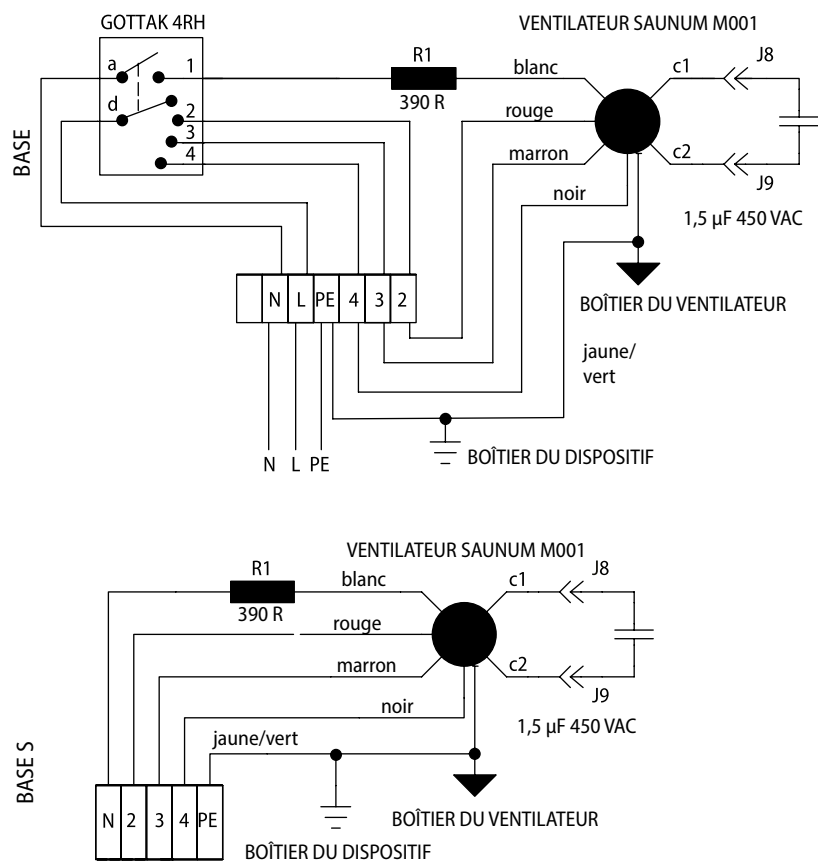
Alimentation du ventilateur.

N. B. Ne peut être connecté qu'à travers un interrupteur à courant différentiel et des fusibles de surintensité !

N. B. Effectuez les connexions conformément aux instructions du schéma de câblage du dispositif.

Sa

Figure 5 – Schéma de câblage : Dispositif, sans interrupteur, avec éclairage.

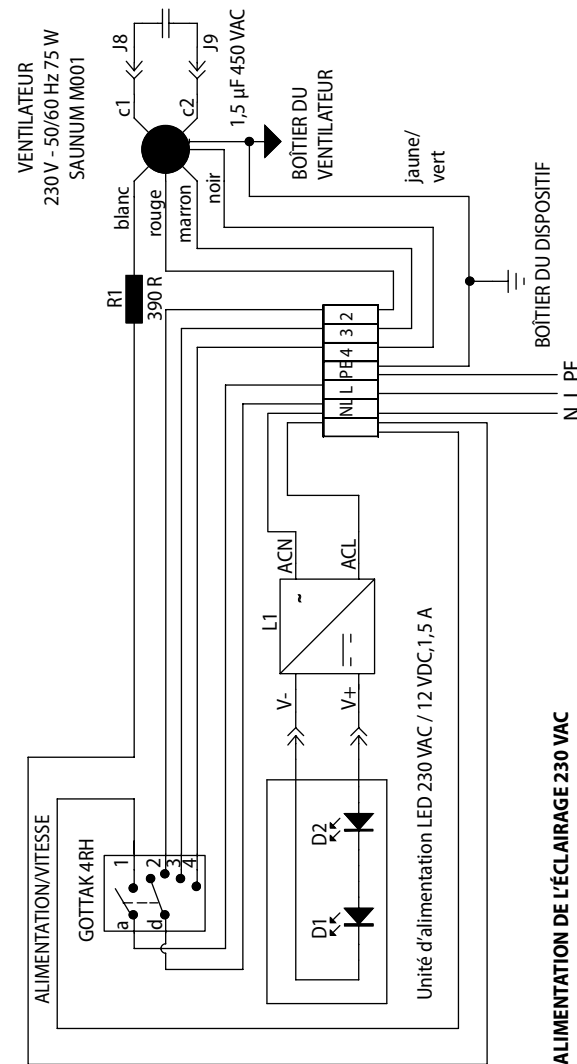


ALIMENTATION/VITESSE

BORNE D'ENTRÉE D'ALIMENTATION DU VENTILATEUR 230VAC
N. B. NE PEUT ÊTRE CONNECTÉ QU'À TRAVERS UN DISPOSITIF DE PROTECTION !

Sa

Figure 6 – Schéma de câblage : Dispositif, avec éclairage et avec interrupteur.



ALIMENTATION/VITESSE

BORNE D'ENTRÉE D'ALIMENTATION DU VENTILATEUR 230VAC
N. B. NE PEUT ÊTRE CONNECTÉ QU'À TRAVERS UN DISPOSITIF DE PROTECTION !

Sa

INSTRUCTIONS D'UTILISATION

Le dispositif est conçu pour harmoniser le climat du sauna pendant la création de la vapeur.

Avant d'utiliser le dispositif pour la première fois, vous devez vérifier :

- Si les connexions électriques répondent aux exigences.
- Si la tension d'alimentation est conforme aux valeurs nominales autorisées pour le dispositif.
- L'état du câble de connexion à la terre (PE).
- Les fixations du boîtier du dispositif.
- Le montage du dispositif au mur.
- L'état/la présence de fusibles de surintensité et d'interrupteurs à courant différentiel.
- Si le rotor du ventilateur tourne sans obstacles.
- Si tous les outils et résidus de matériaux utilisés lors de l'installation sont retirés du boîtier du dispositif.

Lors du démarrage du dispositif, vérifiez :

- La direction du flux d'air – l'entrée d'air par l'ouverture supérieure et l'évacuation d'air par l'ouverture inférieure.

- Qu'il n'y a pas de vibrations ou de bruit anormal pendant le fonctionnement du ventilateur.

- La stabilité de l'éclairage dans les modèles avec LED.

RÉGLAGE DU CLIMATISEUR DU SAUNA

Le volume de circulation d'air généré par le dispositif est régulé par un interrupteur rotatif situé sur le côté droit, en bas, du dispositif.

L'interrupteur a 4 positions et peut être tourné dans le sens des aiguilles d'une montre ou dans le sens inverse. Si la ligne sur l'interrupteur pointe vers la gauche, le ventilateur du dispositif est éteint. La vitesse du flux d'air augmente en tournant l'interrupteur dans le sens des aiguilles d'une montre, avec un choix de 3 vitesses différentes.

Pour régler la température de l'air dans le sauna, il y a un amortisseur de refroidissement de l'air sur le panneau avant, en bas (voir Figures 1C et 2B). Le réglage recommandé est de garder l'amortisseur de refroidissement ouvert au tiers. Pour refroidir la vapeur, essayez d'ouvrir l'amortisseur progressivement. Pour trouver le meilleur climat intérieur pour votre sauna, testez les différentes vitesses du ventilateur.

Sa

UTILISATION DU DISPOSITIF

Le dispositif doit être mis en marche immédiatement avant d'entrer dans le sauna et doit être éteint immédiatement après avoir quitté le sauna. Ne laissez pas le dispositif allumé pendant le réchauffement du sauna, car le fonctionnement continu du dispositif augmente la température de la partie inférieure du sauna et peut entraîner une surchauffe du banc et du sol.

Afin d'assurer la longévité du dispositif, il faut s'assurer que la température dans le sauna à la hauteur de la partie inférieure du dispositif ne dépasse pas 80 °C. En dépassant cette température, la protection thermique est activée et le ventilateur s'arrête ; si la température descend en dessous de la limite, le ventilateur redémarre.

Le fabricant n'est pas responsable de la défaillance du dispositif causée par le dépassement de la température d'utilisation autorisée.

Si votre dispositif est équipé d'un éclairage interne, lorsque le dispositif est allumé, l'éclairage du dispositif démarrera en même temps que le ventilateur (voir le marquage sur l'emballage du dispositif).

Si votre dispositif est intégré dans le mur et est équipé d'un interrupteur externe à écran tactile pour le contrôle de

la vitesse, tenez compte des exigences suivantes :

- L'interrupteur externe de vitesse ne peut être installé qu'à l'extérieur du sauna et des toilettes, par exemple dans le vestiaire, de préférence près de la porte, afin de pouvoir l'allumer et l'éteindre facilement.
- L'interrupteur a trois positions pour sélectionner l'intensité du flux d'air. Le dispositif peut être allumé et éteint en appuyant sur l'interrupteur de l'écran tactile de la vitesse souhaitée.
- Pour sélectionner les vitesses, appuyez sur la zone correspondante.
- Si le dispositif est équipé d'un éclairage interne, un interrupteur séparé (en option) doit être utilisé pour l'allumer.

UTILISATION DE BOULES DE SEL DE L'HIMALAYA

Des boules de sel de l'Himalaya sont fournies avec le dispositif de climatisation pour sauna. L'utilisation de boules de sel dans le dispositif est facultative et n'affecte pas la fonction principale du dispositif.

Pour utiliser les boules de sel, il faut les installer dans les cavités situées entre la grille de sortie de l'air et le ventilateur. Assurez-vous que les boules de sel sont

Sa

installées correctement et qu'elles n'entraînent pas la rotation du ventilateur.

Pour installer (voir Figures 1D et 2C) ou retirer les boules de sel, ouvrez les deux vis de fixation de la grille de sortie de l'air et tournez la grille vers le bas sur ses charnières. N'utilisez pas de force excessive ! Après avoir installé ou retiré les boules de sel, fermez l'ouverture de sortie de l'air et fixez-la à nouveau avec les deux vis.

Le dispositif de climatisation pour sauna ne peut être utilisé qu'avec la grille !

AVERTISSEMENTS

- Rester dans le sauna pendant de longues périodes fait augmenter la température du corps, ce qui peut être dangereux pour la santé !
- Ne laissez pas les enfants, les personnes infirmes ou malades entrer dans le sauna sans surveillance !
- Consultez un médecin sur les contre-indications médicales à la vapeur !
- Consultez un médecin sur les contre-indications médicales à la thérapie par le sel !
- Assurez-vous que vous n'avez pas d'allergie à la thérapie par le sel. Saunum n'est pas responsable des effets secondaires de la thérapie par le sel !

- Consultez un pédiatre (médecin de famille) sur la présence d'enfants dans le sauna !
- Faites attention lorsque vous vous déplacez dans le sauna, car le banc et le sol peuvent être glissants !
- Ne vous rendez pas au sauna sous l'influence de l'alcool, de médicaments ou de drogues !
- Ne dormez pas dans un sauna chaud !
- L'air marin et les climats humides peuvent provoquer une couche d'oxyde (rouille) sur les surfaces métalliques du radiateur !
- Assurez-vous d'avoir une bonne ventilation dans le sauna. Saunum n'est pas responsable de la corrosion éventuelle des équipements et de la technologie causée par le sel. Si nécessaire, consultez un spécialiste !
- Ne mettez pas de serviettes et de vêtements à sécher dans le sauna – cela comporte un risque d'incendie !
- Une humidité excessive peut endommager l'installation électrique !

N. B. Ne laissez pas le ventilateur du dispositif de climatisation pour sauna en marche lorsque vous n'êtes pas dans la salle de sauna – cela entraînerait une consommation d'énergie excessive et une surchauffe du banc du sauna !

Sa

ENTRETIEN ET RÉPARATION

ATTENTION ! Avant de procéder à l'entretien et au nettoyage du dispositif, déconnectez le dispositif du réseau électrique et attendez l'arrêt complet des pièces mobiles du dispositif.

Avant de procéder à l'entretien et au nettoyage du dispositif, assurez-vous que :

- Le dispositif est déconnecté du réseau électrique (non seulement au moyen de l'interrupteur d'alimentation du dispositif, mais aussi au moyen des fusibles de surintensité).
- Le ventilateur du dispositif est complètement arrêté.
- Les travaux sont effectués en utilisant les équipements de sécurité et de protection individuelle prescrits.
- Les câbles de connexion ne sont pas endommagés. En cas d'endommagement des câbles de connexion, les câbles doivent être remplacés par un électricien qualifié conformément aux normes et aux exigences applicables avant de procéder aux travaux d'entretien et de nettoyage.

Le boîtier du dispositif peut être nettoyé avec un chiffon humidifié à l'eau.

N'utilisez pas de nettoyeurs à haute pression et d'eau courante pour le

nettoyage ! N'utilisez pas de produits de nettoyage chimiques ou de solvants pour le nettoyage !

Un encrassement excessif peut déséquilibrer le rotor du ventilateur et provoquer une augmentation du bruit lors du fonctionnement du dispositif. Le bruit peut également augmenter en raison de l'endommagement ou de la flexion des pales du ventilateur. Assurez-vous qu'aucun objet étranger ne pénètre dans la zone de fonctionnement du rotor du ventilateur.

En règle générale, le ventilateur n'a pas besoin d'être nettoyé plus d'une fois par an. Le ventilateur ne doit être nettoyé que par une personne qualifiée.

L'utilisation d'air comprimé pour nettoyer le ventilateur peut endommager irréversiblement le rotor du ventilateur !

Les roulements du ventilateur ne nécessitent aucun entretien. En cas de dysfonctionnement, les roulements doivent être remplacés.

Assurez-vous qu'il n'y a pas d'objets étrangers dans les événements du ventilateur du dispositif. Le nettoyage du dispositif n'est pas destiné aux enfants.

Si vous utilisez des boules de sel de l'Himalaya avec le dispositif, il est recommandé de vérifier l'usure des boules de sel une fois par an (voir Figures 1D et 2C).

Sa

Si le diamètre des boules diminue de plus de la moitié, de nouvelles boules de sel doivent être installées. Pour remplacer les boules, retirez le récipient des boules de sel du dispositif et lavez-le à l'eau courante pour éliminer tout résidu de sel. Remettez le récipient en place et placez les nouvelles boules de sel dans leurs cavités.

En cas de dysfonctionnement du ventilateur et de l'éclairage du dispositif, l'utilisation du dispositif doit être immédiatement arrêtée et le dispositif doit être inspecté par une personne dûment qualifiée.

CONDITIONS GÉNÉRALES DE GARANTIE POUR LES PRODUITS SAUNUM

La garantie pour les dispositifs Saunum garantit que le produit est exempt de défauts de matériaux et dans l'assemblage pendant une période déterminée après la date d'achat. Si, pendant la période de garantie, le dispositif s'avère défectueux en raison de l'utilisation de matériaux non conformes ou de la qualité de l'assemblage, les partenaires de réparation recommandés par Saunum répareront ou remplaceront le dispositif ou la partie défectueuse de celui-ci sans frais de main d'œuvre et de pièces de rechange dans les conditions énoncées ci-dessous. Saunum se réserve le droit de décider de remplacer le composant défectueux du produit ou de remplacer le dispositif par un nouveau. Les composants défectueux du produit remplacés restent la propriété de Saunum.

Conditions de garantie :

1. La garantie n'est valable que si un rapport d'installation complet est soumis avec la réclamation ;
2. La période de garantie du dispositif lorsqu'il est utilisé dans un sauna privé est de deux (2) ans ;
3. La période de garantie du dispositif lorsqu'il est utilisé dans un sauna public est d'un (1) an.

Sa

La garantie ne s'étend pas :

1. À l'entretien et au nettoyage de routine du dispositif et au remplacement des composants en raison de l'usure normale ;
2. À l'adaptation ou à la modification du dispositif à des fins autres que celles spécifiées dans les instructions pour l'utilisation ;
3. Aux risques liés au transport ;
4. Aux dommages résultant d'une mauvaise utilisation du dispositif ;
5. Aux dommages résultant d'une installation incorrecte du dispositif ;
6. Aux réparations du dispositif qui ne sont pas effectuées par un partenaire de réparation recommandé par Saunum (partenaire d'entretien) ;
7. Aux accidents, foudre, eau, feu, une mauvaise ventilation ou tout autre facteur indépendant de la volonté de Saunum ;
8. Aux pannes causées par l'utilisation de boules de sel non recommandées par Saunum ;
9. Aux boules de sel.

Vous pouvez trouver la liste des installateurs et du personnel d'entretien recommandés par Saunum Saunas OÜ sur le site web de Saunum Saunas OÜ www.saunum.com ou en nous contactant à info@saunum.com.

Les instructions d'entretien du dispositif Saunum sont données dans les instructions pour l'utilisation.

N. B. Le dispositif de climatisation pour sauna ne peut être raccordé au réseau électrique que par un électricien professionnel, conformément à la réglementation en vigueur.

Lisez attentivement et entièrement les instructions d'utilisation avant d'utiliser le dispositif et conservez-les dans un endroit spécifique et facilement accessible pour pouvoir les consulter ultérieurement.

Sa



Sa

PROTOCOLE D'INSTALLATION

Date d'achat : _____

Type de radiateur : _____

Étiquette/numéro de série :

Lieu d'installation : _____

Date de l'installation : _____

Installé par : _____

Vérifié par : _____

Date, signature : _____

Description des travaux réalisés : _____

Toutes les parties sont disponibles pour l'installation _____

Il n'y a pas de défauts de couleur ou de bosses _____

Le dispositif est installé au mur ou au sol conformément aux instructions _____

Les raccordements électriques sont effectués conformément aux instructions pour l'installation _____

Les trois vitesses du ventilateur sont en service / dans le bon ordre _____

Notes : _____

Contacts du client (nom, e-mail) : _____

Travail accepté : _____

Date de début de la garantie : _____

À COMPLÉTER PAR LE CLIENT :



Déclaration CE de conformité

Fabricant : Saunum Saunas OÜ

Adresse : Läike tee 2-4

75312 Peetri, Estonie

certifie que le produit :

Dispositif de climatisation pour sauna

est conforme aux exigences des directives suivantes du Conseil de l'Europe, à condition que l'installation a été effectuée conformément aux instructions d'installation fournies par le fabricant du dispositif et à la norme EN 60 204-1 « Sécurité des machines. Équipement électrique des machines – Partie 1 : Exigences générales » Directive relative aux machines 2006/42/CE Directive basse tension 2014/35/UE Directive compatibilité électromagnétique 2014/30/UE.



Sa

Saunum

Dispositivo di climatizzazione per sauna

Saunum BASE / BASE Short / BASE S

Sa

LA MIGLIORE SAUNA DI SEMPRE!

Grazie per aver investito in questo apparecchio Saunum: sono certo che la nostra tecnologia innovativa sarà in grado di offrire una sauna meravigliosa e straordinaria.

Sono laureato in ingegneria termica e sono originario dell'Estonia Meridionale dove è nata la mia passione per la sauna. Le tradizionali "saune di fumo" locali hanno due caratteristiche particolari: la bassa temperatura e un elevato livello di umidità, che le distinguono, ad esempio, dalla classica sauna finlandese. Nelle saune normali, le pietre usate nella stufa sono generalmente piccole. Questa soluzione può generare un vapore caldissimo improvviso e una temperatura estremamente irregolare, per cui all'altezza della testa e delle spalle fa molto caldo, mentre i piedi rimangono freddi. L'esperienza può essere abbastanza spiacevole e provocare mal di testa e stress corporeo. Nelle antiche "saune di fumo" e nelle saune degli Indiani d'America, le pietre venivano precedentemente riscaldate durante la giornata. In seguito, il calore immagazzinato nelle pietre veniva usato per purificare il corpo e offrire un'esperienza davvero piacevole.

Traendo spunto dalla "sauna di fumo", ho voluto creare una soluzione innovativa che abbinava il meglio della sauna autentica alla tecnologia moderna, per un'esperienza gradevolmente delicata e rilassante senza vapore rovente. Per arrivare a questo, ho dovuto risolvere il problema di come ottenere una temperatura uniforme a livello della testa e dei piedi. La mia attività di sviluppo è stata supportata dalla ricerca in collaborazione con il Politecnico di Tallinn, dove abbiamo analizzato la stratificazione termica e il movimento dell'aria nell'ambiente della sauna. Saunum è nata dalla collaborazione tra pensiero scientifico e innovazione tecnologica.



Sa

L'esclusivo sistema brevettato per la miscelazione di strati d'aria cattura il vapore caldo che sale sotto il soffitto del locale sauna, lo miscela con l'aria più fredda che si raccoglie sulla superficie del pavimento e ridistribuisce il vapore meno caldo in modo uniforme. Il calore diventa così piacevole e per nulla aggressivo. È possibile rimanere nella sauna per un periodo di tempo più lungo, senza avvertire stanchezza, e con una sudorazione e una purificazione profonde. Rispetto alle altre stufe, le pietre delle nostre stufe sono di dimensioni molto più grandi e contribuiscono a rendere il clima particolarmente piacevole, con un vapore persistente e delicato.

Sugli apparecchi Saunum sono disponibili le funzioni sauna con vapore umido, sanarium, sauna terapeutica al sale o sauna aromatica, per un'esperienza davvero rilassante. Quando nell'apparecchio si utilizzano le sfere di sale dell'Himalaya, il vapore fa circolare gli ioni emessi dal sale che apportano grandi benefici alla pelle e alle vie respiratorie. L'aggiunta di un apposito sistema per l'aromaterapia, che miscela il vapore e l'olio aromatico salutare, crea un ambiente ancora più piacevole.

Gli apparecchi per sauna di Saunum sono adatti ad adulti e bambini.

Buona sauna a tutti!

Andrus Vare
Ideatore di Saunum

Sa

Sa

INDICE

Saunum Saunas OÜ
si congratula con voi
 per aver scelto un
 dispositivo di climatizzazione
 innovativo per sauna!

Informazioni sulla sicurezza _____ 176

ISTRUZIONI PER L'INSTALLAZIONE

Istruzioni per l'installazione _____ 178

Dimensioni dei modelli Saunum BASE / BASE Short _____ 179

Distanze di installazione del modello BASE / BASE Short _____ 180

Parti del modello Saunum BASE / BASE Short _____ 182

Dimensioni del modello Saunum BASE S _____ 186

Distanze di installazione del modello Saunum BASE S _____ 188

Collegamenti elettrici _____ 192

ISTRUZIONI PER L'USO

Istruzioni per l'uso _____ 196

Regolazione del climatizzatore per sauna _____ 196

Utilizzo del dispositivo _____ 197

Uso delle sfere di sale dell'Himalaya _____ 197

Avvertenze _____ 198

Manutenzione e riparazione _____ 199

Garanzia _____ 200

Scheda di installazione _____ 201

Sa

Queste istruzioni per l'installazione e l'uso sono destinate al proprietario o al manutentore della sauna, nonché all'elettricista responsabile dell'installazione del dispositivo di climatizzazione per sauna. Dopo l'installazione, le istruzioni devono essere consegnate al proprietario o al manutentore. Prima di utilizzare il dispositivo di climatizzazione per sauna BASE, BASE Short o BASE S, consultare le istruzioni per l'installazione e la sicurezza.

Il dispositivo di climatizzazione per locali sauna Saunum Saunas OÜ **BASE / BASE Short / BASE S** (di seguito denominato "il dispositivo") non deve essere messo in funzione prima di aver letto le istruzioni di montaggio e di sicurezza!

Il dispositivo è progettato per miscelare gli strati d'aria nel locale sauna e uniformare la temperatura. Ha, inoltre, in dotazione delle sfere di sale dell'Himalaya che possono essere utilizzate per rilasciare ioni di sale nell'ambiente della sauna. Uno speciale ventilatore all'interno del dispositivo crea un flusso d'aria che smuove l'aria all'interno del locale sauna riscaldato, per uniformare la temperatura tra la massa di aria calda in alto e fredda in basso, distribuendo il vapore in modo più omogeneo.

N.B.: è vietato utilizzare il dispositivo di climatizzazione per sauna con il riscaldatore a una temperatura oltre i 100 °C.

N.B.: è vietato utilizzare il dispositivo per altri scopi.

Assicurarsi di non soffrire di allergie e che non ci siano controindicazioni a restare all'interno di un ambiente salino. In caso di controindicazioni, chiedere un parere medico.

Saunum Saunas OÜ non è responsabile dei possibili effetti collaterali sulla salute dell'utente. L'uso delle sfere di sale dell'Himalaya in dotazione è facoltativo e non influisce sull'efficacia di climatizzazione del dispositivo.

In caso di minimo dubbio sulla salute, le sfere di sale possono essere rimosse dalla vaschetta e il dispositivo può essere utilizzato solo per miscelare gli strati d'aria.

ATTENZIONE! Il dispositivo di climatizzazione per sauna deve essere acceso solo quando si utilizza la sauna. Il dispositivo deve essere spento quando la sauna viene riscaldata e tra una sessione e l'altra.

Sa

Non versare acqua sull'alloggiamento o nelle aperture di ventilazione del dispositivo, né utilizzare il dispositivo in ambienti in cui l'acqua scorre sul pavimento o dove possono esserci perdite di gas infiammabili/esplosivi nell'aria.

Il dispositivo non deve essere utilizzato se alcune parti del suo alloggiamento sono state rimosse e/o lo schema elettrico è stato modificato. I bambini non devono avere accesso o giocare con il dispositivo. La pulizia del dispositivo non deve essere affidata a bambini.

L'installazione del dispositivo deve essere eseguita da un elettricista qualificato. Il dispositivo deve essere connesso alla rete elettrica in modo permanente con un cavo adatto alle condizioni di temperatura ambiente. Il morsetto d'attacco del dispositivo deve essere provvisto di una messa a terra di protezione (PE) e di conduttore con una sezione minima di 1,5 mm². Il dispositivo deve essere collegato a un circuito di alimentazione protetto da fusibili di sovrapotenza e da un interruttore differenziale. Tensione di alimentazione: 230 V-50/60 Hz. Potenza: 75 W.

ATTENZIONE! Scollegare l'alimentazione del dispositivo dalla rete elettrica e

aspettare che le parti mobili del dispositivo siano completamente ferme prima di qualsiasi intervento di manutenzione e pulizia.

ATTENZIONE! L'alloggiamento del dispositivo ha angoli e spigoli taglienti che potrebbero causare lesioni se toccati accidentalmente.

ATTENZIONE! Il dispositivo di climatizzazione per sauna deve essere installato in modo tale che l'uscita dell'aria non sia rivolta verso il riscaldatore.

TRASPORTO E STOCCAGGIO

Il dispositivo è imballato nello stabilimento di produzione in modo da garantirne la protezione in condizioni di trasporto normali. Evitare di far cadere il dispositivo e di riporlo sotto oggetti pesanti. Conservarlo in un luogo asciutto, al riparo dalle intemperie.

Sa

INSTALLAZIONE

N.B.: prima di iniziare i lavori di installazione, leggere le Informazioni sulla sicurezza (vedere pagine 176 e 177).

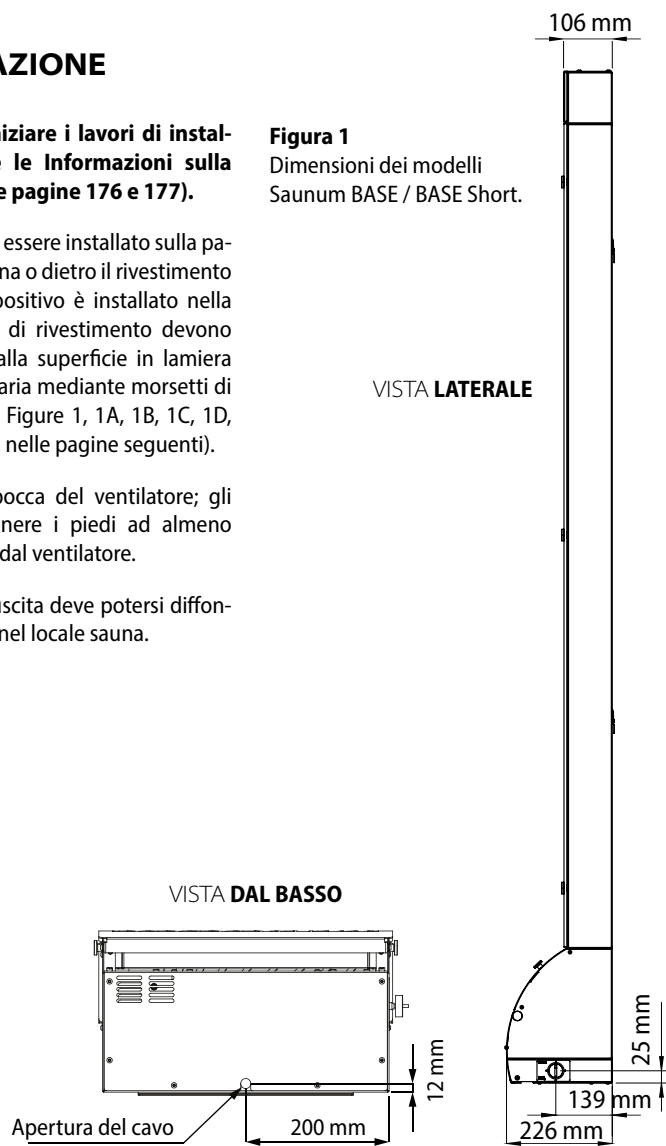
Il dispositivo deve essere installato sulla parete del locale sauna o dietro il rivestimento interno (se il dispositivo è installato nella parete, i pannelli di rivestimento devono essere assicurati alla superficie in lamiera del condotto dell'aria mediante morsetti di fissaggio) (vedere Figure 1, 1A, 1B, 1C, 1D, 1E e 2, 2A, 2B e 2C nelle pagine seguenti).

Non ostruire la bocca del ventilatore; gli utenti devono tenere i piedi ad almeno 50 cm di distanza dal ventilatore.

Il flusso d'aria in uscita deve potersi diffondere liberamente nel locale sauna.

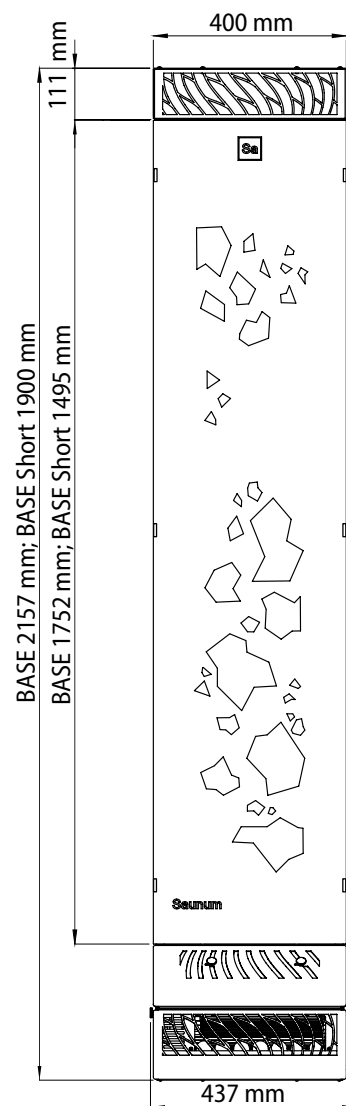
Figura 1

Dimensioni dei modelli Saunum BASE / BASE Short.

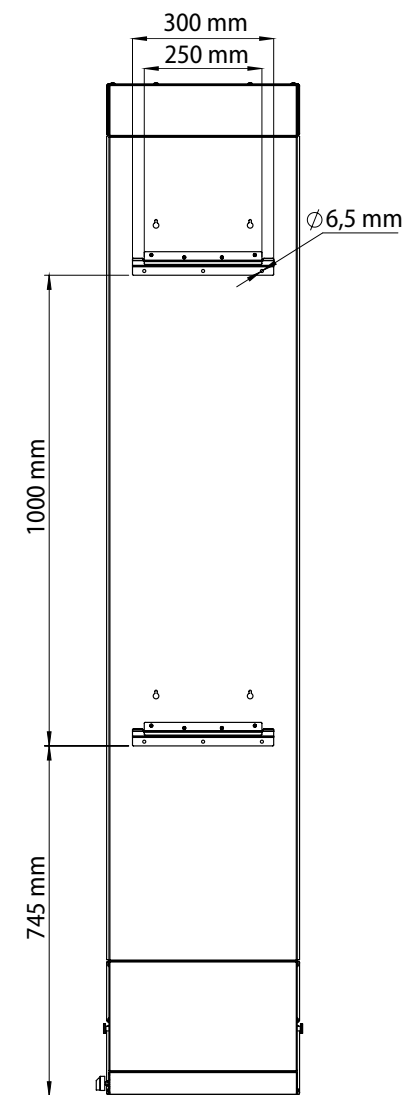


Sa

VISTA FRONTALE

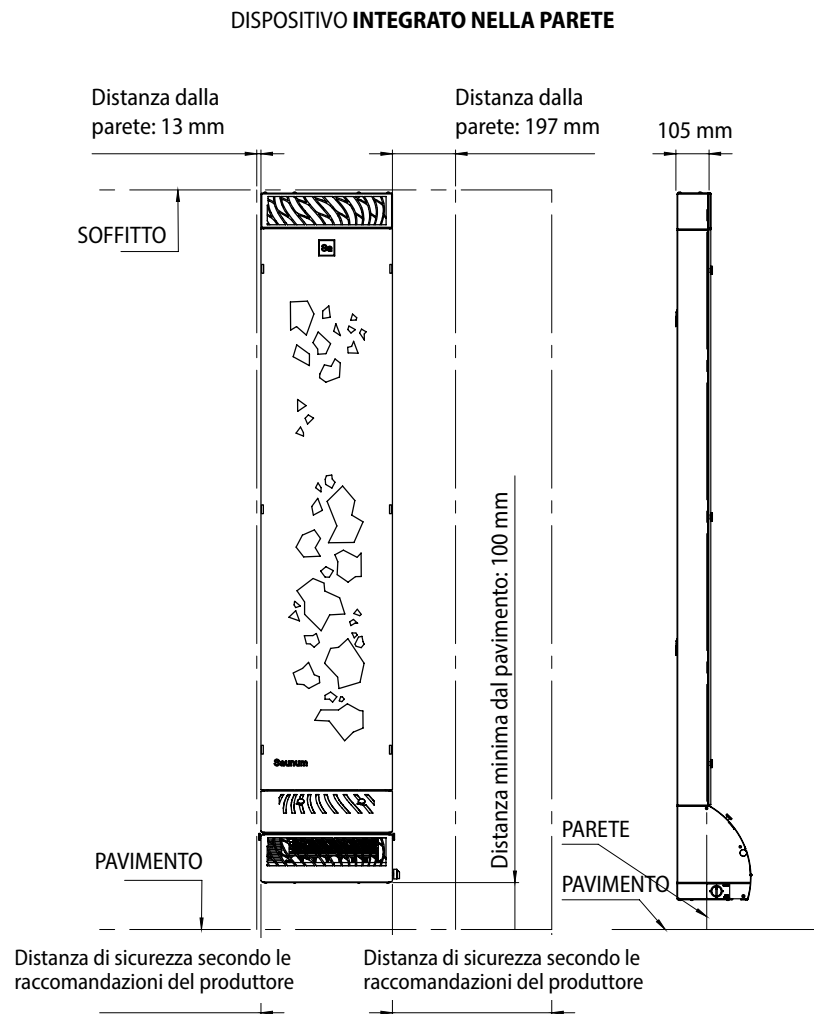


VISTA POSTERIORE



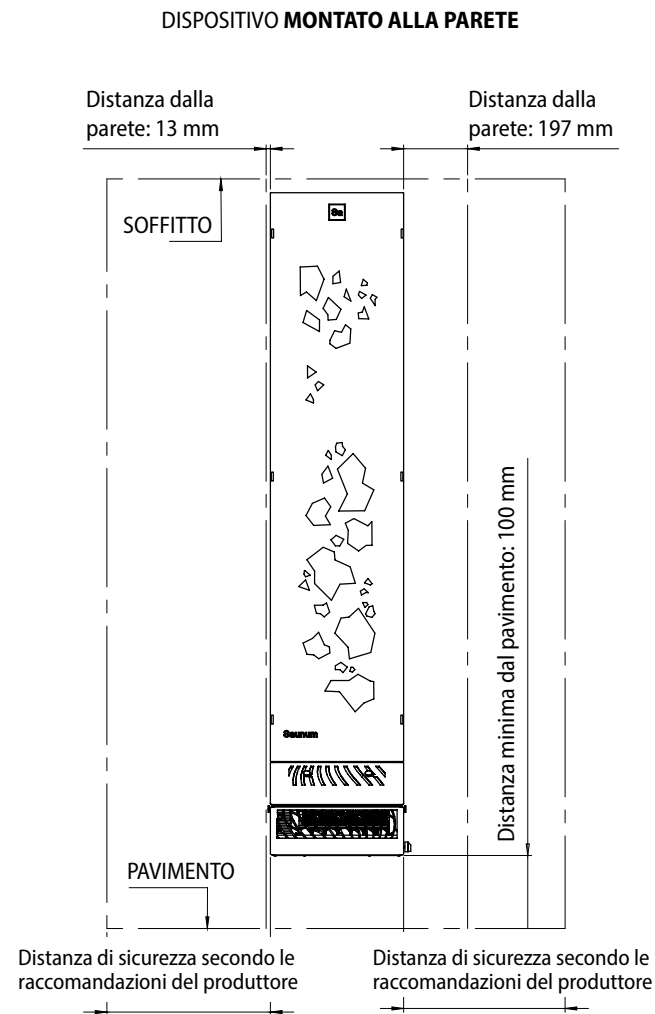
Sa

Figura 1A – Distanze di installazione del modello Saunum BASE / BASE Short.



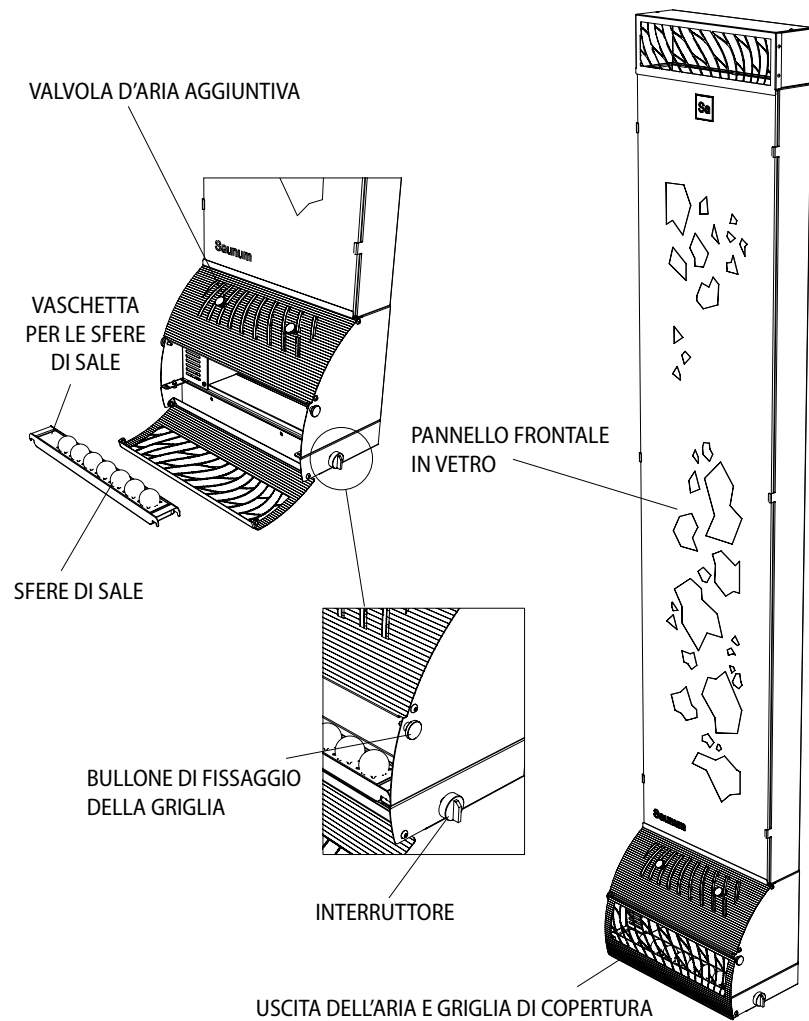
Sa

Figura 1B – Distanze di installazione del modello Saunum BASE / BASE Short.



Sa

Figura 1C – Parti del modello Saunum BASE / BASE Short.

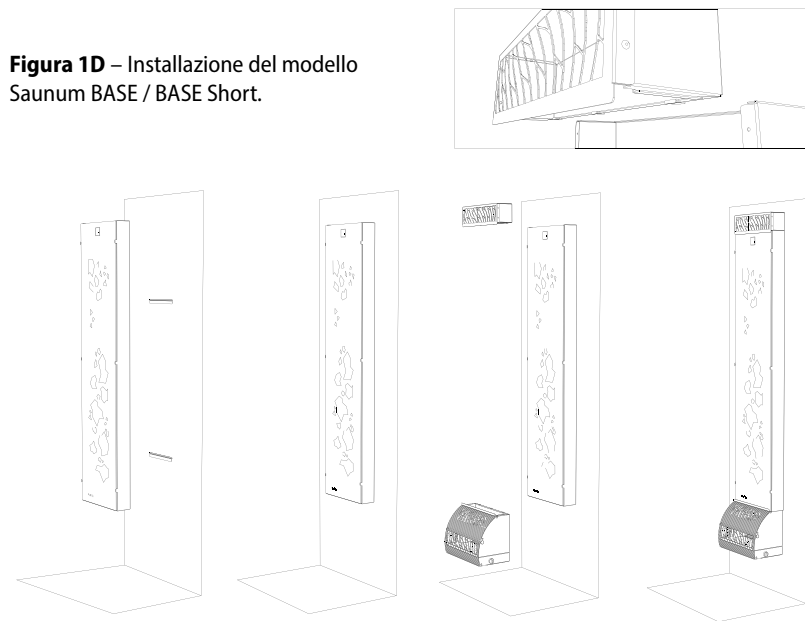


Sa

Il dispositivo funziona con la massima efficienza quando il bordo della presa d'aria superiore si trova all'altezza del soffitto del locale sauna (nel caso di un modello dotato di griglia di protezione). Se non è dotato della griglia di protezione, il dispositivo deve essere installato in modo che il bordo superiore sia a un'altezza di 80–100 mm dal soffitto. Il bordo inferiore deve trovarsi ad almeno 100 mm di distanza dal pavimento per evitare che l'acqua che si trova sul pavimento entri nei collegamenti elettrici del dispositivo.

Il dispositivo è progettato per l'installazione a parete con l'aiuto delle barre di sospensione incluse nel set. La parete nel punto di installazione deve essere in grado di sostenere un peso di minimo 35 kg e consentire il fissaggio a vite delle barre di sospensione nella dotazione di serie. Le barre di sospensione devono essere fissate alla parete del locale sauna con almeno due viti ciascuna. Il dispositivo deve essere quindi sollevato alla parete in modo che la barra superiore e quella inferiore scivolino tra le barre fissate sul retro del dispositivo.

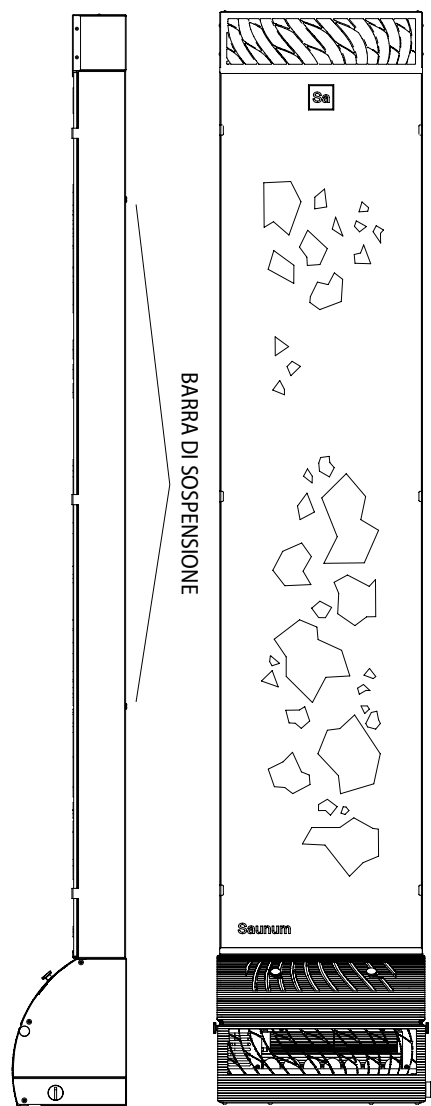
Figura 1D – Installazione del modello Saunum BASE / BASE Short.



Sa

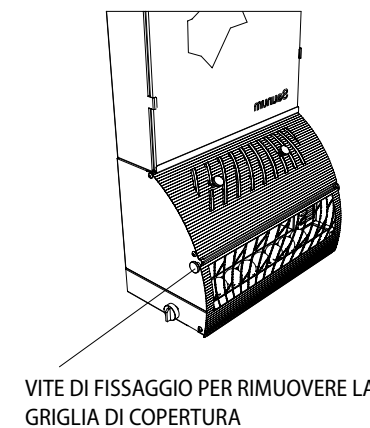
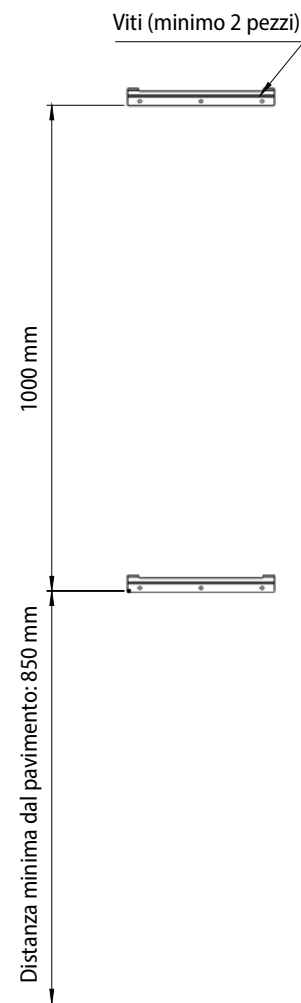
Figura 1E – Installazione consigliata del modello Saunum BASE / BASE Short con una barra di sospensione.

1. Installare alla parete le barre di sospensione fornite con il dispositivo. Usare dei tasselli se necessario.
2. Appendere il dispositivo alle barre di sospensione installate alla parete. Assicurarsi che gli occhielli sul retro del dispositivo poggino allo stesso modo su entrambe le barre di sospensione (se necessario, usare una livella per assicurarsi che il dispositivo sia dritto).
3. Controllare che il dispositivo non presenti danni esterni. Non utilizzare il dispositivo se è danneggiato.



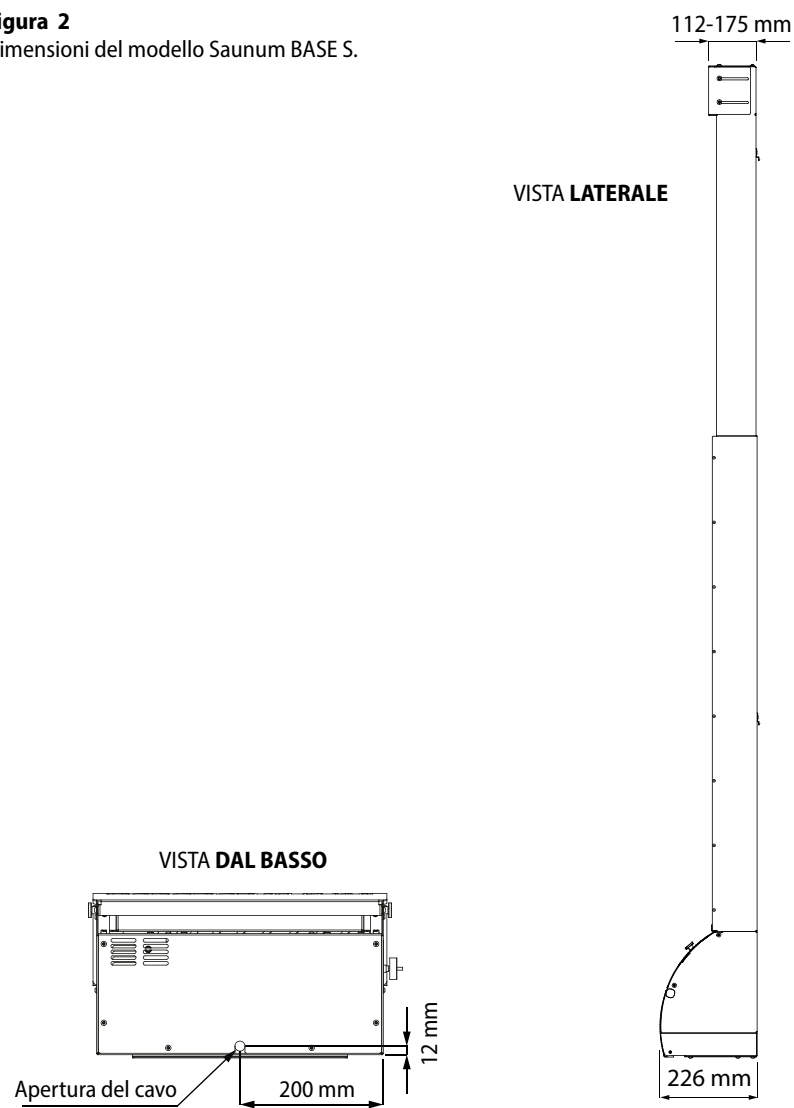
Sa

4. Sistemare in posizione le sfere di sale. Le sfere di sale devono essere collocate nel dispositivo dopo che è stato installato alla parete. Per sistemare in posizione le sfere, aprire la griglia inferiore estraendo le due viti rimovibili manualmente e adagiare le sfere nelle loro cavità sull'apposita vaschetta.



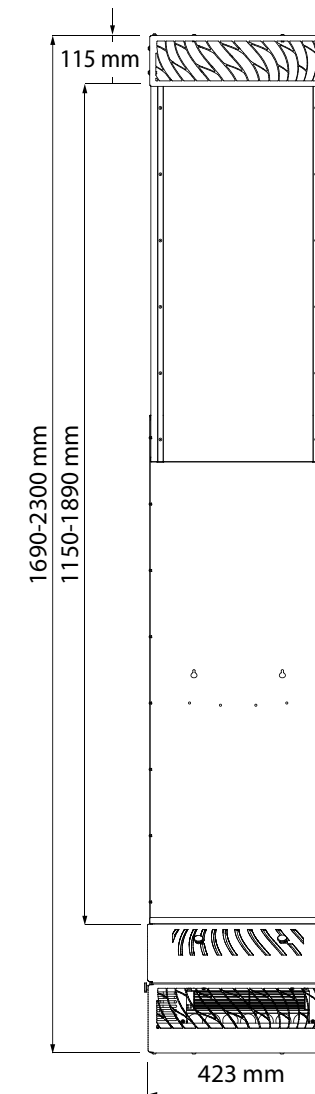
Sa

Figura 2
Dimensioni del modello Saunum BASE S.

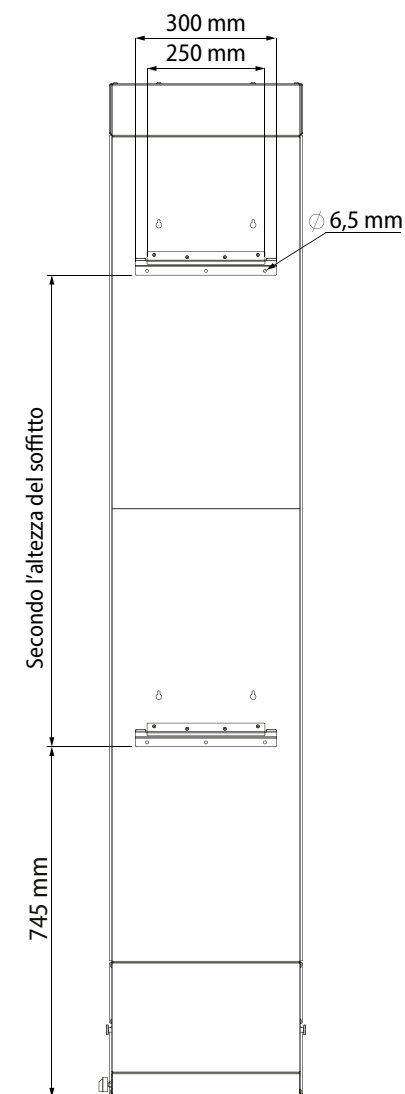


Sa

VISTA FRONTALE

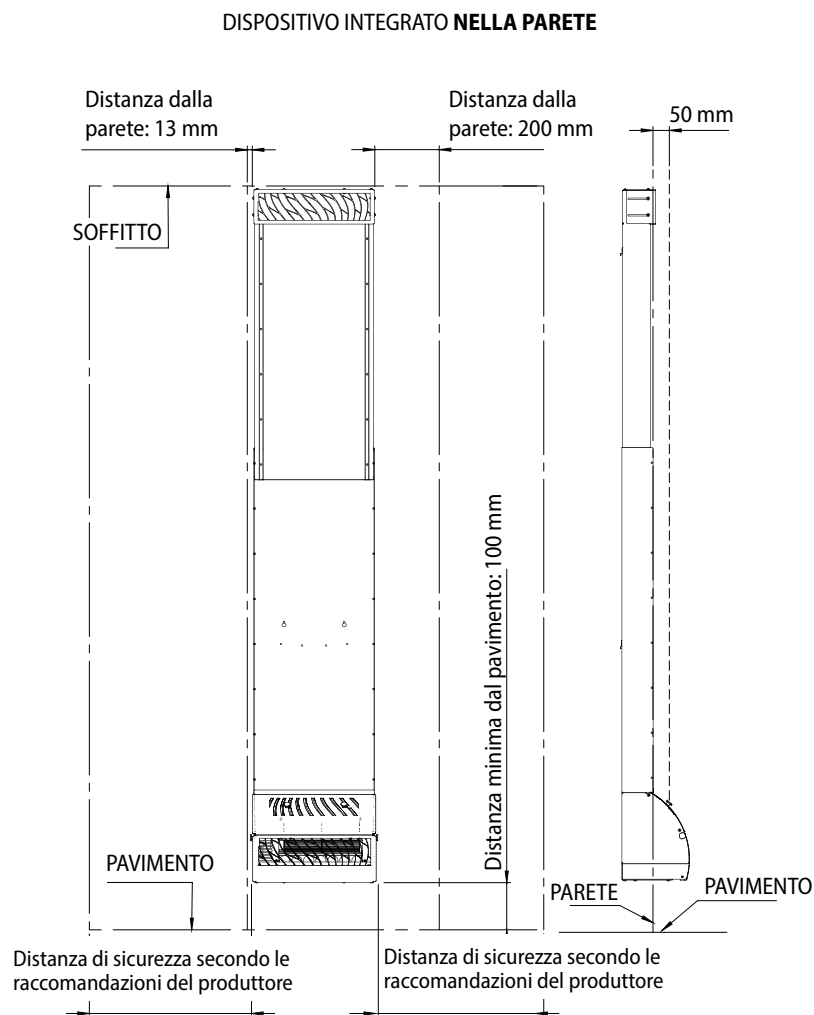


VISTA POSTERIORE



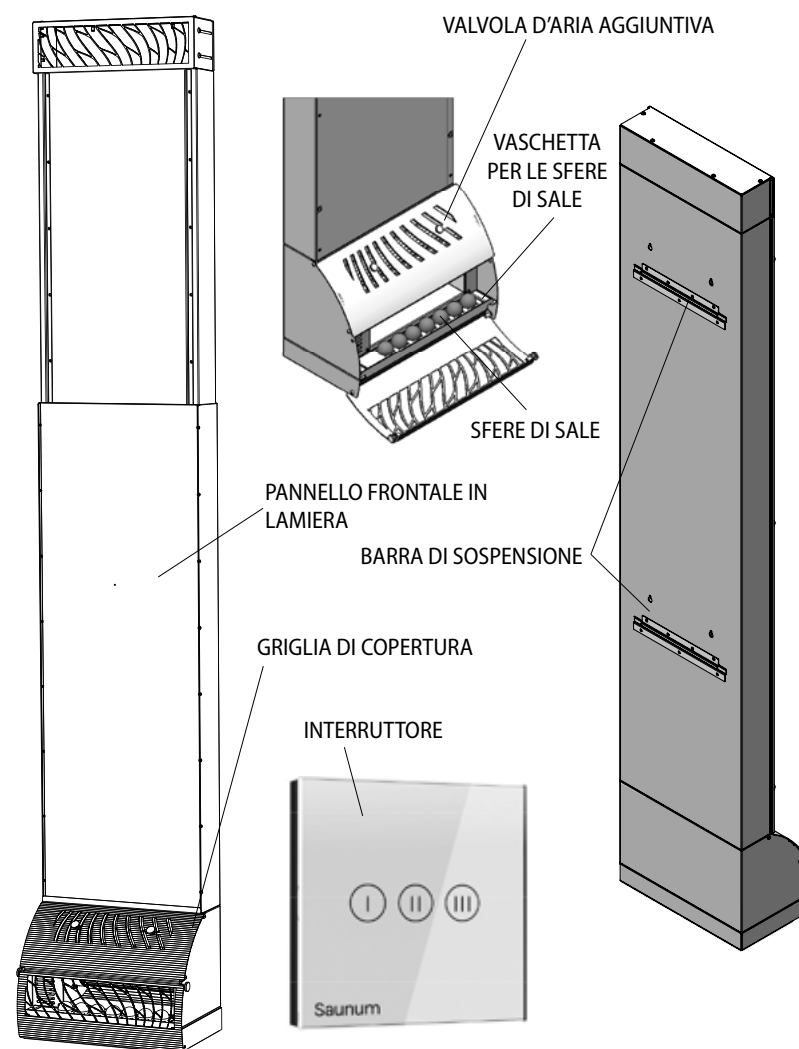
Sa

Figura 2A – Distanze di installazione del modello Saunum BASE S.



Sa

Figura 2B – Parti del modello Saunum BASE S.

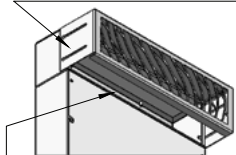


Sa

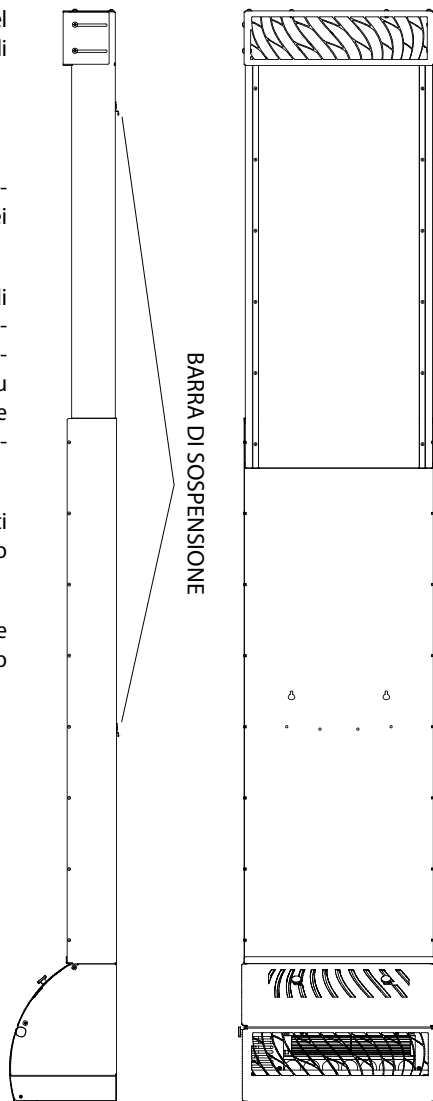
Figura 2C – Installazione consigliata del modello Saunum BASE S con una barra di sospensione.

1. Installare alla parete le barre di sospensione fornite con il dispositivo. Usare dei tasselli se necessario.
2. Appendere il dispositivo alle barre di sospensione installate alla parete. Assicurarsi che gli occhielli sul retro del dispositivo poggino allo stesso modo su entrambe le barre di sospensione (se necessario, usare una livella per assicurarsi che il dispositivo sia dritto).
3. Controllare che il dispositivo non presenti danni esterni. Non utilizzare il dispositivo se è danneggiato.
4. Prima di usare il dispositivo, coprire tutte le aperture con il nastro di alluminio fornito.

Aperture per regolare i lati e la parte superiore del coperchio

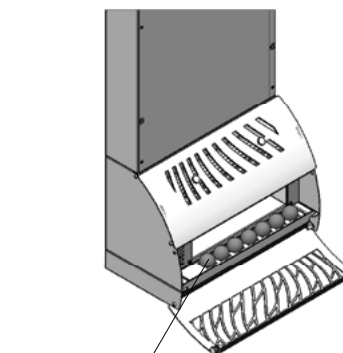
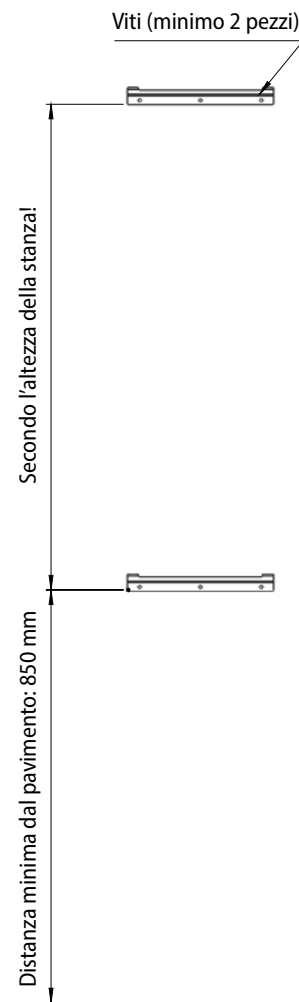


Apertura sotto il coperchio dopo la regolazione del coperchio telescopico

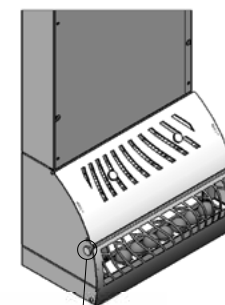


Sa

5. Sistemare in posizione le sfere di sale. Le sfere di sale devono essere collocate nel dispositivo dopo che è stato installato alla parete. Per sistemare in posizione le sfere, aprire la griglia inferiore rimovibile manualmente e adagiare le sfere nelle loro cavità sull'apposita vaschetta.



Sfere di sale



Viti di fissaggio per rimuovere la griglia di copertura

Sa

COLLEGAMENTI ELETTRICI

ATTENZIONE! Il collegamento elettrico del dispositivo deve essere eseguito da un elettricista qualificato, in conformità alle norme e i requisiti applicabili.

Il collegamento del dispositivo deve essere eseguito in modo permanente con un cavo adatto alle condizioni di temperatura ambiente e con un terminale a vite, in conformità agli schemi dei collegamenti elettrici forniti in queste istruzioni (Figure 3, 3A, 4, 5 e 6 alle pagine seguenti).

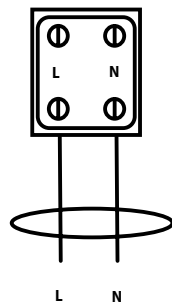
Il diametro esterno del cavo non deve superare i 10 mm. Il morsetto d'attacco del dispositivo deve essere provvisto di messa a terra di protezione (PE) con un conduttore con una sezione minima di 1,5 mm². Il dispositivo deve essere alimentato da un circuito di alimentazione a 230 VAC 50/60 Hz protetto da un fusibile di sovracorrente C2. Inoltre, il circuito di alimentazione del dispositivo deve essere dotato di un interruttore differenziale per garantire la sicurezza delle persone nel locale sauna.

L'illuminazione del dispositivo deve essere collegata a un interruttore interno o esterno. Anche il circuito di alimentazione dell'interruttore esterno di illuminazione deve essere dotato di un interruttore differenziale e di fusibili di sovracorrente.

I circuiti di illuminazione e ventilazione del dispositivo devono essere collegati a

interruttori esterni, i cui circuiti di alimentazione devono essere dotati di un interruttore differenziale e di fusibili di sovracorrente. Il cavo di alimentazione deve entrare nell'alloggiamento del dispositivo verticalmente, dal basso, per evitare che l'acqua penetri nell'alloggiamento del dispositivo lungo il cavo. L'isolamento esterno del cavo può essere rimosso solo nella parte che si estende nell'alloggiamento del dispositivo.

Figura 3 – Collegamento del cavo di alimentazione su dispositivo dotato di un interruttore interno di velocità del ventilatore.



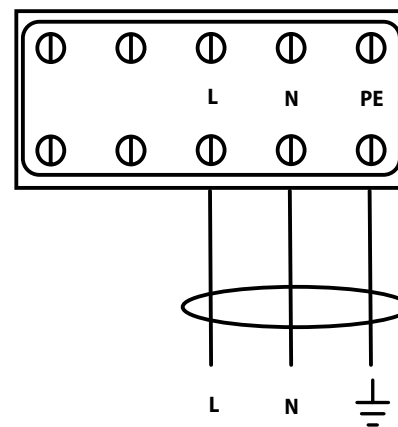
Questo schema di collegamento vale soltanto per un dispositivo con illuminazione e interruttore esterno!

N.B.: effettuare i collegamenti secondo le istruzioni dello schema elettrico del dispositivo.

N.B.: il circuito deve essere collegato attraverso un interruttore differenziale e dei fusibili di sovracorrente.

Sa

Figura 3A – Collegamento del cavo di alimentazione su un dispositivo dotato di interruttore interno di velocità del ventilatore. Alimentatore principale del dispositivo.



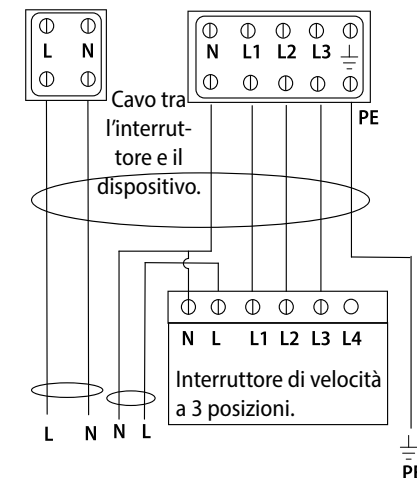
N.B.: può essere collegato solo attraverso un interruttore differenziale e dei fusibili di sovracorrente.

Il cavo di alimentazione utilizzato deve essere progettato per un'installazione elettrica permanente e deve soddisfare i requisiti per l'installazione elettrica nel locale sauna. La sezione del cavo di alimentazione deve essere tra 1,5 e 2,5 mm².

Il cavo di alimentazione deve essere inserito attraverso l'apertura sul fondo del dispositivo come descritto nelle istruzioni di installazione.

Il cavo di alimentazione non deve essere lasciato sul pavimento del locale sauna.

Figura 4 – Collegamento del cavo di alimentazione su un dispositivo dotato di interruttore esterno di velocità del ventilatore.



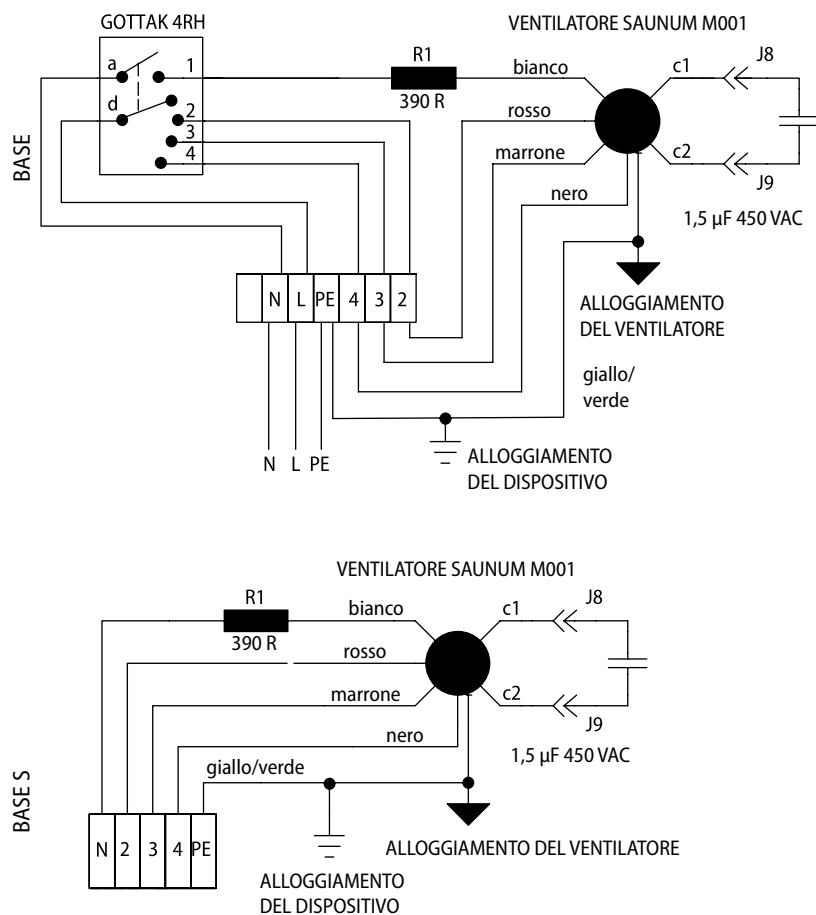
N.B.: può essere collegato solo attraverso un interruttore differenziale e dei fusibili di sovracorrente.

Alimentazione del ventilatore. N.B.: può essere collegato solo attraverso un interruttore differenziale e dei fusibili di sovracorrente.

N.B.: effettuare i collegamenti secondo le istruzioni dello schema elettrico del dispositivo.

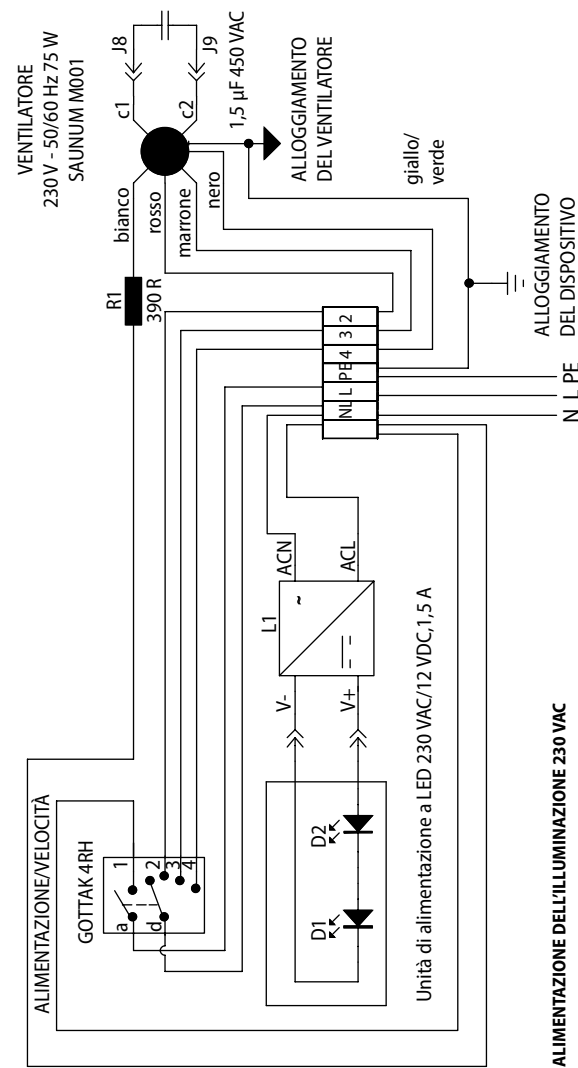
Sa

Figura 5 – Schema elettrico: dispositivo, senza interruttore, con illuminazione.



Sa

Figura 6 – Schema elettrico: dispositivo, con illuminazione e con interruttore.



ALIMENTAZIONE/VELOCITÀ
 TERMINALE DI INGRESSO DELL'ALIMENTAZIONE DELLA VENTOLA
N.B.: DA COLLEGARE ESCLUSIVAMENTE ATTRAVERSO UN DISPOSITIVO DI SICUREZZA 230 VAC!

Sa

ISTRUZIONI PER L'USO

Il dispositivo è progettato per uniformare il clima del locale durante una sessione di sauna.

Prima di utilizzare il dispositivo per la prima volta, controllare:

- Che i collegamenti elettrici soddisfino i requisiti.
- Che la tensione di alimentazione corrisponda ai valori nominali consentiti per il dispositivo.
- La condizione del cavo di messa a terra (PE).
- I fissaggi dell'alloggiamento del dispositivo.
- Il montaggio del dispositivo alla parete.
- La condizione/presenza di fusibili di sovracorrente e dell'interruttore differenziale.
- Che il rotore del ventilatore giri senza ostacoli.
- Che tutti gli attrezzi e i residui dei materiali utilizzati durante l'installazione siano stati rimossi dall'alloggiamento del dispositivo.

All'avvio del dispositivo, controllare:

- La direzione del flusso dell'aria (l'aria deve essere aspirata dall'apertura superiore e scaricata dall'apertura inferiore).

- Che non vi siano vibrazioni o rumori anormali quando il ventilatore è in funzione.
- Che l'illuminazione sia stabile nei dispositivi con LED.

REGOLAZIONE DEL CLIMA PER SAUNA

Il volume di aria in circolazione generato dal dispositivo deve essere regolato dall'interruttore rotante situato in basso sul lato destro del dispositivo.

L'interruttore ha 4 posizioni e può essere ruotato in senso orario o antiorario. Quando la linea sull'interruttore è rivolta a sinistra, il ventilatore del dispositivo è spento. La velocità del flusso di aria aumenta ruotando l'interruttore in senso orario. È possibile scegliere tra 3 velocità.

Per regolare la temperatura dell'aria nel locale sauna, usare lo smorzatore di raffreddamento dell'aria sul pannello frontale, in basso (vedere Figura 1C e 2B). Si consiglia di mantenere aperto per 1/3 lo smorzatore di raffreddamento dell'aria. Per raffreddare il vapore, provare ad aprire lo smorzatore a poco a poco. Per trovare il clima interno più adatto alla sauna, testare le diverse velocità del ventilatore.

Sa

UTILIZZO DEL DISPOSITIVO

Il dispositivo deve essere acceso immediatamente prima di entrare nel locale sauna e deve essere spento immediatamente dopo essere usciti dal locale sauna. Non lasciare il dispositivo acceso durante il riscaldamento del locale sauna e se all'interno non c'è nessuno, poiché il funzionamento continuo del dispositivo fa aumentare la temperatura nell'area inferiore del locale sauna e può causare un surriscaldamento della panca e del pavimento.

Per garantire la longevità del dispositivo, assicurarsi che la temperatura nel locale sauna non superi gli 80 °C all'altezza della parte inferiore del dispositivo. Quando questa temperatura viene superata, la protezione termica si attiva e il ventilatore si ferma; il ventilatore ricomincia a funzionare quando la temperatura scende al di sotto del limite di attivazione del fusibile.

Il fabbricante non è responsabile per i malfunzionamenti del dispositivo causati dal superamento della temperatura di esercizio ammessa.

Sui dispositivi provvisti di illuminazione interna, l'accensione si avvia contemporaneamente al ventilatore quando si accende il dispositivo (vedere la marcatura sulla confezione del dispositivo).

Se il dispositivo è integrato nella parete ed è dotato di un interruttore esterno

touchscreen per il controllo delle velocità, tenere conto dei seguenti requisiti:

- L'interruttore esterno di velocità può essere installato solo all'esterno del locale sauna e del bagno, per esempio nello spogliatoio, preferibilmente vicino alla porta, in modo da poterlo accendere e spegnere comodamente.
- L'interruttore ha tre posizioni per selezionare l'intensità del flusso dell'aria. Il dispositivo può essere acceso e spento tenendo premuto il pulsante touchscreen della velocità desiderata.
- Per selezionare le velocità, premere l'area corrispondente.
- Se il dispositivo è dotato di illuminazione interna, per accenderlo è necessario utilizzare un interruttore separato (opzionale).

USO DELLE SFERE DI SALE DELL'HIMALAYA

Il dispositivo di climatizzazione per sauna include delle sfere di sale dell'Himalaya. L'uso delle sfere nel dispositivo è facoltativo e non influisce sulla sua funzione principale.

Per poter essere utilizzate, le sfere di sale devono essere sistemate nelle cavità tra la griglia di uscita dell'aria e il ventilatore. Assicurarsi che le sfere siano posizionate correttamente e che non impediscano la rotazione del ventilatore.

Sa

Per sistemare in posizione (vedere figure 1D e 2C) o rimuovere le sfere di sale, aprire le due viti di fissaggio sulla griglia di uscita dell'aria e girare la griglia verso il basso sulle sue cerniere. Non usare una forza eccessiva! Dopo aver posizionato o rimosso le sfere di sale, chiudere l'apertura di uscita dell'aria e fissarla nuovamente con le due viti.

Il dispositivo di climatizzazione per sauna deve essere utilizzato solo se la griglia è in posizione.

AVVERTENZE

- Una permanenza prolungata nel locale sauna aumenta la temperatura corporea e può comportare rischi per la salute.
- Non permettere a bambini, persone disabili o malate di entrare nel locale sauna senza supervisione.
- Consultare un medico per informazioni sulle controindicazioni mediche alla sauna.
- Consultare un medico per informazioni sulle controindicazioni mediche all'haloterapia (terapia del sale).
- Assicurarsi di non essere allergici all'haloterapia. Saunum non è responsabile degli effetti collaterali causati dall'esposizione al sale.

- Consultare un pediatra (o il medico di famiglia per informazioni sull'opportunità di consentire ai bambini di fare la sauna).
- Prestare attenzione quando ci si muove nella sauna, in quanto la panca e il pavimento possono essere scivolosi.
- Non andare in sauna sotto l'influenza di alcol, medicinali o stupefacenti.
- Non dormire nel locale sauna.
- L'aria di mare e i climi umidi possono causare uno strato di ossidazione (ruggine) sulle superfici metalliche del riscaldatore.
- Assicurarsi di avere un'adeguata ventilazione nel locale sauna. Saunum non è responsabile della possibile corrosione salina delle attrezzature e dei macchinari. Se necessario, consultare uno specialista.
- Non appendere asciugamani e vestiti ad asciugare nel locale sauna per non creare un pericolo di incendio.
- Un'umidità eccessiva può danneggiare i dispositivi elettrici.

N.B.: non lasciare in funzione il ventilatore del dispositivo di climatizzazione se nel locale sauna non c'è nessuno, per evitare consumi eccessivi di energia e il surriscaldamento della panca.

Sa

MANUTENZIONE E RIPARAZIONE

ATTENZIONE! Scollegare dalla rete elettrica l'alimentazione del dispositivo di climatizzazione per sauna e aspettare che le parti mobili si fermino del tutto prima di effettuare la manutenzione e la pulizia del dispositivo.

Prima di ogni intervento di manutenzione e la pulizia del dispositivo, assicurarsi che:

- Il dispositivo sia scollegato dalla rete elettrica (non solo tramite l'interruttore di alimentazione del dispositivo, ma anche tramite i fusibili di sovracorrente).
- Il ventilatore del dispositivo sia completamente fermo.
- Il lavoro venga svolto utilizzando i dispositivi di sicurezza e di protezione personale prescritti.
- I cavi di connessione non siano danneggiati. In caso di danni, prima di proseguire i lavori di manutenzione e pulizia, farli sostituire da un elettricista qualificato secondo le norme e i requisiti applicabili.

L'alloggiamento del dispositivo può essere pulito con un panno inumidito con acqua.

Per gli interventi di pulizia, non utilizzare idropulitrici, acqua corrente, solventi o detersivi chimici.

Uno sporco eccessivo può perturbare il rotore del ventilatore, causando un aumento del rumore durante il funzionamento del dispositivo. Il rumore può anche aumentare in caso di danneggiamento o

curvatura delle pale del ventilatore. Assicurarsi che non ci siano oggetti estranei nel raggio di azione del rotore del ventilatore.

Di norma, il ventilatore non ha bisogno di essere pulito più di una volta all'anno. La pulizia deve essere effettuata solo da una persona qualificata.

L'uso di aria compressa per pulire il ventilatore può danneggiarne in modo permanente il rotore.

I cuscinetti del ventilatore non richiedono manutenzione e devono essere sostituiti in caso di malfunzionamento.

Assicurarsi che non vi siano oggetti estranei nelle prese d'aria della ventola del dispositivo di climatizzazione per sauna. La pulizia del dispositivo non può essere affidata ai bambini.

Se si utilizzano le sfere di sale dell'Himalaya con il dispositivo di climatizzazione per sauna, si consiglia di ispezionare l'usura delle sfere di sale una volta all'anno (vedere figure 1D e 2C).

Se il diametro delle sfere si riduce di più della metà, occorre sostituirle. In tal caso, rimuovere il contenitore delle sfere dal dispositivo e lavarlo sotto l'acqua corrente per eliminare ogni residuo di sale. Riposizionare il contenitore e mettere le nuove sfere di sale nelle loro cavità.

In caso di malfunzionamento del ventilatore e dell'illuminazione del dispositivo, l'utilizzo del dispositivo deve essere interrotto immediatamente e il dispositivo deve essere ispezionato da una persona qualificata.

Sa

TERMINI E CONDIZIONI GENERALI DI GARANZIA PER I PRODOTTI SAUNUM

La garanzia per i dispositivi Saunum assicura che il prodotto sarà privo di difetti nei materiali e di fabbricazione per un periodo specificato dopo la data di acquisto. Se, durante il periodo di garanzia, il dispositivo risulta essere difettoso a causa dell'uso di materiali di qualità inferiore alla norma o della cattiva qualità dell'assemblaggio, i partner che Saunum ha raccomandato per gli interventi di riparazione provvederanno a riparare o sostituire il dispositivo o il componente difettoso senza spese di manodopera o ricambi, alle condizioni indicate di seguito. Saunum si riserva il diritto di decidere se sostituire il componente difettoso del prodotto o sostituire il dispositivo con uno nuovo. I componenti difettosi sostituiti rimarranno di proprietà di Saunum.

Condizioni di garanzia:

1. La garanzia è valida solo se al reclamo viene presentata una scheda di installazione debitamente compilata.
2. Il periodo di garanzia del dispositivo per l'uso in una sauna privata è di due (2) anni.
3. Il periodo di garanzia del dispositivo per l'uso in una sauna pubblica è di un (1) anno.

La garanzia non si estende:

1. Alla manutenzione e alla pulizia ordinaria del dispositivo e alla sostituzione dei componenti a causa della normale usura.
2. All'adattamento o alla modifica del dispositivo per uno scopo diverso da quello specificato nelle istruzioni per l'uso.
3. Ai rischi derivanti dal trasporto.
4. Ai danni derivanti dall'uso improprio del dispositivo.
5. Ai danni derivanti da errori di installazione del dispositivo.
6. Alle riparazioni del dispositivo non eseguite da un partner raccomandato da Saunum (partner per gli interventi di manutenzione).
7. A incidenti, fulmini, acqua, fuoco, ventilazione impropria o qualsiasi altro fattore al di fuori del controllo di Saunum.
8. Ai guasti causati dall'uso di sfere di sale non raccomandate da Saunum;
9. Alle sfere di sale.

La lista degli installatori e dei manutentori raccomandati da Saunum Saunas OÜ è disponibile sul sito web di Saunum Saunas OÜ www.saunum.com o contattandoci presso info@saunum.com.

Sa

Le istruzioni di manutenzione del dispositivo Saunum sono riportate nel manuale dell'utente del dispositivo.

N.B.: il dispositivo di climatizzazione per sauna può essere collegato alla rete elettrica

solo da un elettricista professionista in conformità con le norme vigenti.

Leggere attentamente e completamente le istruzioni per l'uso prima di usare il dispositivo e conservarle in un luogo specifico e facilmente accessibile per riferimenti futuri.

SCHEDA DI INSTALLAZIONE

Data di acquisto: _____

Tipo di riscaldatore: _____

Etichetta/Numero di serie: _____

Luogo di installazione: _____

Data di installazione: _____

Installato da: _____

Verificato da: _____

Data, firma: _____

Descrizione del lavoro svolto: _____

Tutte le parti sono presenti per l'installazione _____

Non ci sono difetti di colore o ammaccature _____

Il dispositivo è installato alla parete o sul pavimento secondo le istruzioni _____

I collegamenti elettrici sono effettuati secondo le istruzioni per l'installazione _____

Le tre velocità del ventilatore sono in funzione / nell'ordine corretto _____

NOTE: _____

Contatti del cliente (nome, e-mail): _____

Lavoro accettato: _____

Data di inizio della garanzia: _____

DA COMPLETARE A CURA DEL CLIENTE



Dichiarazione CE di conformità

Il produttore: Saunum Saunas OÜ

Indirizzo: Läike tee 2-4

75312 Peetri, Estonia

certifica che il prodotto:

Dispositivo di climatizzazione per locali sauna

è conforme ai requisiti delle seguenti direttive del Consiglio d'Europa, a condizione che l'installazione sia stata eseguita in conformità alle istruzioni di installazione fornite dal produttore del dispositivo e alle istruzioni EN 60 204-1 "Sicurezza del macchinario. Equipaggiamento elettrico delle macchine – Parte 1: Regole generali", alla direttiva relativa alle macchine 2006/42/CE, alla direttiva sulla bassa tensione 2014/35/UE e alla direttiva sulla compatibilità elettromagnetica 2014/30/UE.



Sa

Saunum

Saunan ilmastointilaite

Saunum BASE / BASE Short / BASE S

Sa

PARAS SAUNAKOKEMUS!

Olen erittäin iloinen, että olet investoinut Saunum-laitteeseen, ja uskon, että innovatiivinen teknologiamme tarjoaa sinulle upean ja poikkeuksellisen saunaelämyksen.

Olen koulutukseltani lämpötekniikan insinööri ja olen kotoisin Etelä-Virosta, jossa rakkauteni saunomiseen sai syntynsä. Etelä-Viron historiallisten savusaunojen erityispiirre on alhaisempi lämpötila ja korkeampi kosteusaste kuin esimerkiksi klassisessa suomalaisessa saunassa. Tavallisissa saunoissa kiukaan kivitilavuus on yleensä pieni. Seurauksena voi olla äkillinen polttavan kuuma höyry ja erittäin epätasainen lämpötila, jossa pää ja hartiat ovat todella kuumat, mutta jalat jäävät kylmiksi. Tällainen kokemus voi olla epämiellyttävää ja saattaa aiheuttaa päänsärkyä ja johtaa kehon stressiin. Muinaisissa savusaunoissa ja intiaanisaunoissa kiviä lämmitettiin päivän mittaan. Kiviin varastoitunut lämpö käytettiin kehon puhdistamiseen ja todella nautinnollisen saunakokemuksen luomiseen.

Halusin luoda savusaunan inspiroimana innovatiivisen ratkaisun, jossa aidon saunan parhaat puolet yhdistyvät moderniin teknologiaan. Tuloksena on miellyttävän mieto ja rentouttava saunaelämys ilman tuskallisen polttavaa löylyä. Saavuttaakseni tavoitteeni minun oli ratkaistava ongelma, kuinka tasainen lämpötila saavutetaan sekä pään että jalkojen korkeudella. Kehitystyötäni tuki samaan aikaan Tallinnan teknillisessä yliopistossa tehty tutkimus, jossa analysoitiin saunahuoneen lämpökerrostumista ja ilman liikettä. Saunum



Sa

syntyi tieteellisen ajattelun ja teknologisen innovaation yhteistyönä.

Saunumin ainutlaatuinen patentoitu ilmakerrosten sekoitusjärjestelmä ottaa talteen saunahuoneen katon alle nousevan kuuman höyryn, sekoittaa sen lattiatasossa olevaan viileämpään ilmaan ja ohjaa miedomman höyryn tasaisesti takaisin saunaan. Tuloksena on nautinnollinen ja lempeä löylykokemus. Voit istua saunassa pidempään ja nauttia hikoilusta ja syväpuhdistuksesta väsymättä. Kiukaidemme kivitilavuus on huomattavasti suurempi kuin muiden valmistajien kiukaiden ja ne tuottavat siten erittäin miellyttävän, pitkäkestoisen ja pehmeän löylyn.

Kostea höyrysauna, sanarium, terapeuttinen suolas sauna tai terveellinen aromisauna – kaikki nämä toiminnot ovat saatavissa Saunumin laitteissa todella rentouttavan saunakokemuksen luomiseksi. Kun käytät laitteessamme Himalajan suolapalloja, niistä höyrystyy iholle ja hengitysteille hyödyllisiä suola-ioneja, jotka kiertävät löylyn mukana saunan sisäilmassa. Höyryä ja terveellistä aromiöljyä yhdistävän saunaa aromijärjestelmän lisääminen luo entistä nautinnollisemman saunaympäristön.

Saunumin saunalaitteet sopivat sekä aikuisille että lapsille.

Mukavia löylyhetkiä!!

Andrus Vare
Saunumin luoja

Saunum Saunas OÜ
onnittelee sinua
 innovatiivisen saunan
 ilmastointilaitteen
 valitsemisen johdosta!

SISÄLTÖ

Turvallisuusohjeet _____	208
ASENNUSOHJE	
Asennus _____	210
Mallien Saunum BASE / BASE Short mitat _____	211
Malli Saunum BASE / BASE Short asennusetäisyydet _____	212
Malli Saunum BASE / BASE Short laitteen osat _____	214
Malli Saunum BASE S mitat _____	218
Malli Saunum BASE S asennusetäisyydet _____	220
Malli Saunum BASE S laitteen osat _____	221
Sähköliitännät _____	224
KÄYTTÖOHJEET	
Käyttöohjeet _____	228
Saunan ilmastoinnin säätäminen _____	228
Laitteen käyttö _____	228
Himalajan suolapallojen käyttö _____	229
Varoitukset _____	230
Huolto ja korjaus _____	230
Takuu _____	232
Asennuspöytäkirja _____	233

Sa

Tämä asennus- ja käyttöohje on tarkoitettu saunan omistajalle tai huoltajalle sekä saunan ilmastointilaitteen asennuksesta vastuussa olevalle sähköasentajalle. Saunan ilmastointilaitteen asentamisen jälkeen ohje on annettava laitteen omistajalle tai huoltoteknikolle. Ennen Saunumin BASE-, BASE Short- tai BASE S -mallisen saunan ilmastointilaitteen käytön aloittamista on perehdyttävä asennus- ja turvallisuusohjeeseen.

Saunum Saunas OU:n saunan löylyhuoneen ilmastointilaitetta **BASE / BASE Short / BASE S** (jäljempänä "laite") ei saa käyttää ennen asennus- ja turvallisuusohjeeseen perehtymistä!

Laite on tarkoitettu saunan löylyhuoneen ilmakerrosten sekoittamiseen ja saunan sisäilmaston lämpötilojen tasoittamiseen sekä lisämahdollisuutena sarjaan kuuluvista Himalajan suolapalloista tilaan sisäilmaan suolan ionien levittämiseen. Laitteeseen asennettu erityisvalmisteinen tuuletin aiheuttaa ilmavirran, joka tasoittaa lämmitetyn tilan erilämpöiset ylemmät ja alemmat ilmakerrokset ja tekee löylyistä miedon tasaisia.

Huom! Saunan ilmastointilaitetta yhdessä kiukaan kanssa ei saa käyttää yli 90 °C lämpötilassa, jos kiukaan yllä ei ole palamattomasta materiaalista rakennettua kattoa tai katon suojalevyä!

Huom! Laitteen käyttö muuhun tarkoitukseen on kiellettyä!

Varmista, ettet kärsi allergiasta tai sinulla ei ole muita esteitä suolapitoisessa ympäristössä oleskelemiseen. Lääketieteellisten oireiden ilmetessä kysy neuvoja lääkäriltä.

Saunum Saunas OÜ ei ole vastuussa laitteen käyttäjälle aiheutuvista mahdollisista sivuvaikutuksista. Himalajan suolapallojen käyttö laitteessa on mahdollinen lisätoiminto eikä vaikuta mitenkään laitteen toimintaan löylyhuoneen sisäilmaston tasoittamisessa.

Jos on aihetta epäillä suolapallojen vaikuttavaan terveydentilaan, suolapallot voidaan poistaa niiden pohjaristikolta ja käyttää laitetta vain ilmakerrosten sekoittamiseen.

VAROITUS! Saunan ilmastointilaitteen voi käynnistää vain löylyn heittäminen ajaksi. Saunan lämmittämisen ja löylyn heittämissä välisten taukojen aikana on saunan ilmastointilaitte sammuettava!

Laitteen runkoon ja ilmanvaihtoaukkoihin ei saa kaataa vettä, laitetta ei voi myöskään käyttää tiloissa, joissa vesi virtaa lattialla tai on mahdollisuus palavien/räjähdyksalttiiden kaasujen ilmaan vuotamiseen.

Sa

Laitetta ei saa käyttää, jos sen kotelosta on irrotettu osia ja/tai sähköjärjestelmää on muutettu. Lapsia ei saa päästä käsittelemään laitetta ja leikkimään sillä. Lasten ei saa antaa puhdistaa laitetta.

Laitteen saa asentaa vain pätevä sähköasentaja. Laitteen liittäminen sähköverkkoon on suoritettava kiinteänä asennuksena ympäristön lämpötilojen mukaisella kaapelilla. Laitteen liittimeen on yhdistettävä suojamaadoitus (PE) vähintään 1,5 mm2:n kaapelijohdolla. Laitteen sähkönsyöttö on otettava sähköverkosta, joka on suojattu ylivirta- ja vikavirtasulakkeilla. Sähköjännite: 230 V–50/60 Hz teho: 75 W.

VAROITUS! Ennen Laitteen huoltoa ja puhdistamista on laite irrotettava sähköverkosta ja odotettava, kunnes laitteen liikkuvat osat ovat kokonaan pysähtyneet.

VAROITUS! Laitteen kotelossa on teräviä kulmia ja reunoja, jotka saattavat aiheuttaa varomattomassa kosketuksessa vammoja.

VAROITUS! Saunan ilmastointilaitte on asennettava siten, että ilmanpoistoaukko ei ole suunnattua kiuasta kohti.

KULJETUS JA VARASTOINTI

Laite on pakattu valmistajan toimesta tavalla, joka varmistaa laitteen ehjänä pysymisen tavanomaisen kuljetuksen ehtojen noudattamisen tapauksessa. On vältettävä laitteen putoamista ja heittämistä sekä sen varastointia painavien esineiden alle. Laite on varastoitava kuivassa ja sääolosuhteiden vaikutukselta suojatussa tilassa.



Sa

ASENNUS

Huom! Ennen asennustöiden aloittamista tutustu Turvallisuusohjeisiin (katso s. 208–209)!

Laite asennetaan löylyhuoneen seinään tai sisävuorauksen taakse (saunapaneelin kiinnittäminen seinän sisällä olevan laitteen ilmahormin peltiin on toteuttava saunapaneelin kiinnikkeiden avulla) (kts. seuraavien sivujen kuvat 1, 1A, 1B, 1C, 1D, 1E ja 2, 2A, 2B ja 2C).

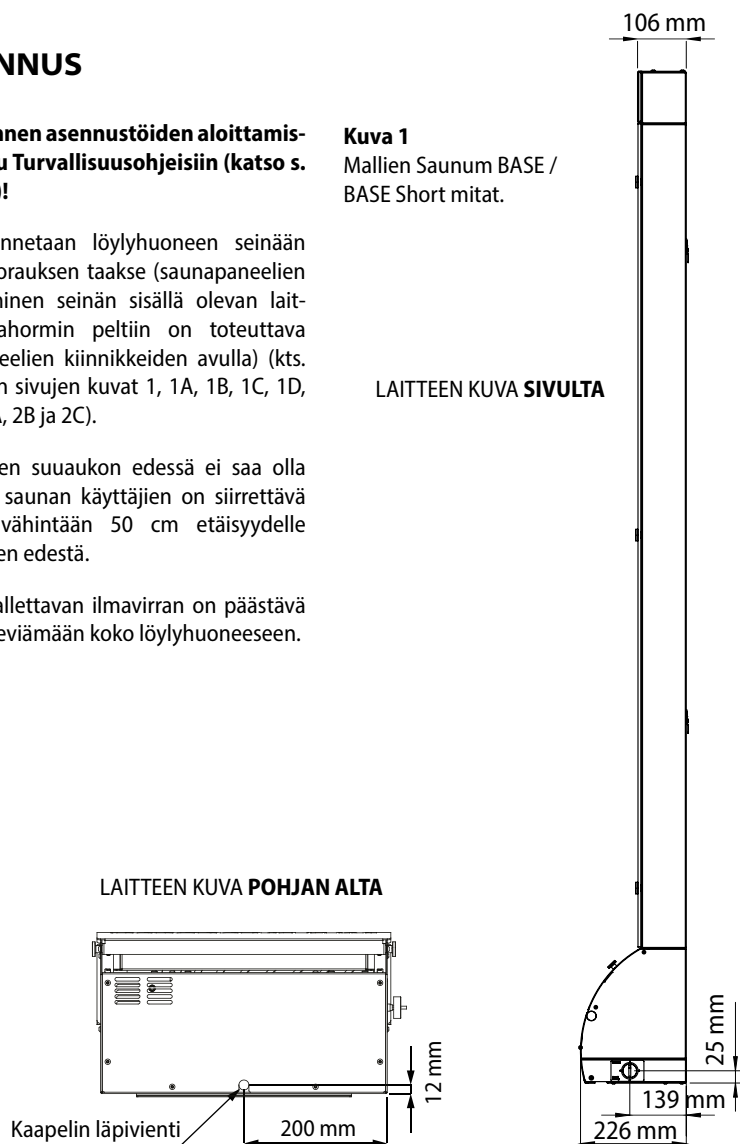
Tuulettimen suuaukon edessä ei saa olla esteitä ja saunan käyttäjien on siirrettävä jalkansa vähintään 50 cm etäisyydelle tuulettimen edestä.

Ulos puhallettavan ilmavirran on päästävä vapaasti leviämään koko löylyhuoneeseen.

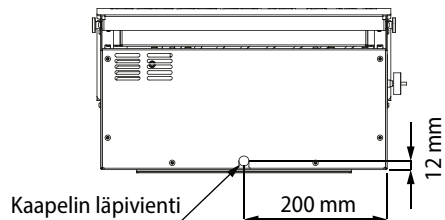
Kuva 1

Mallien Saunum BASE / BASE Short mitat.

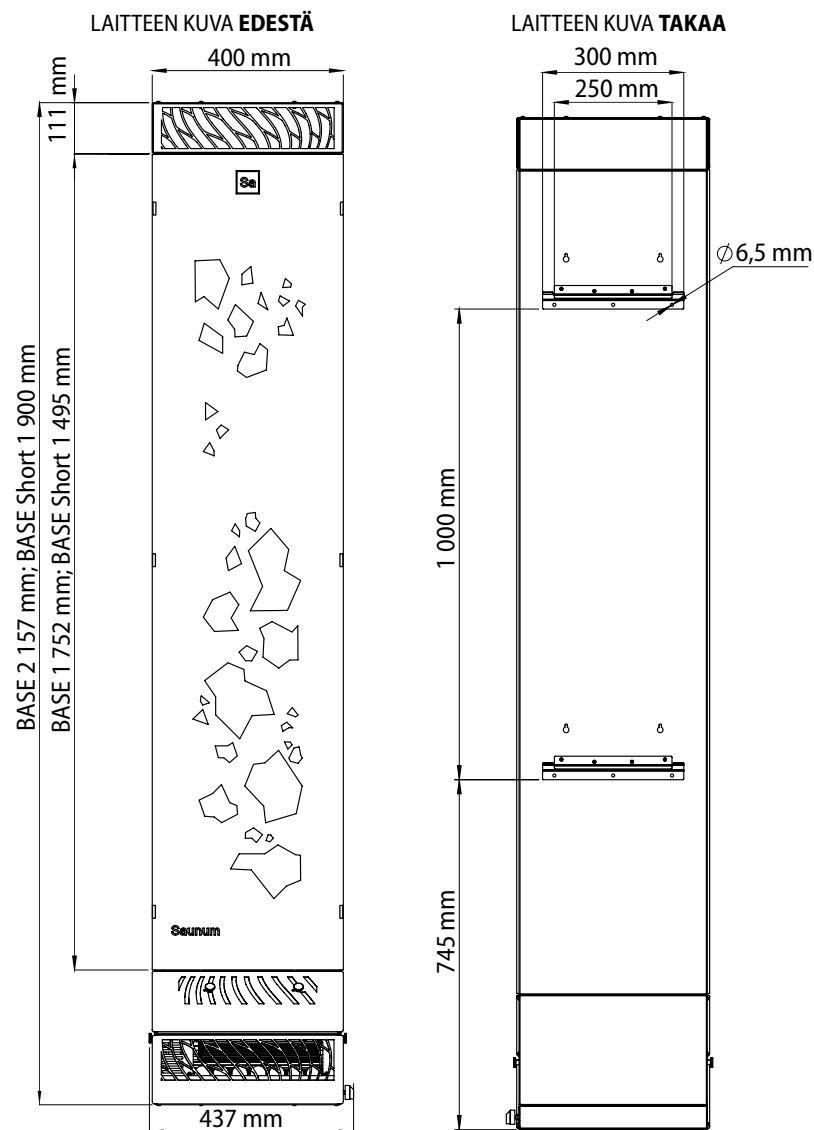
LAITTEEN KUVA **SIVULTA**



LAITTEEN KUVA **POHJAN ALTA**



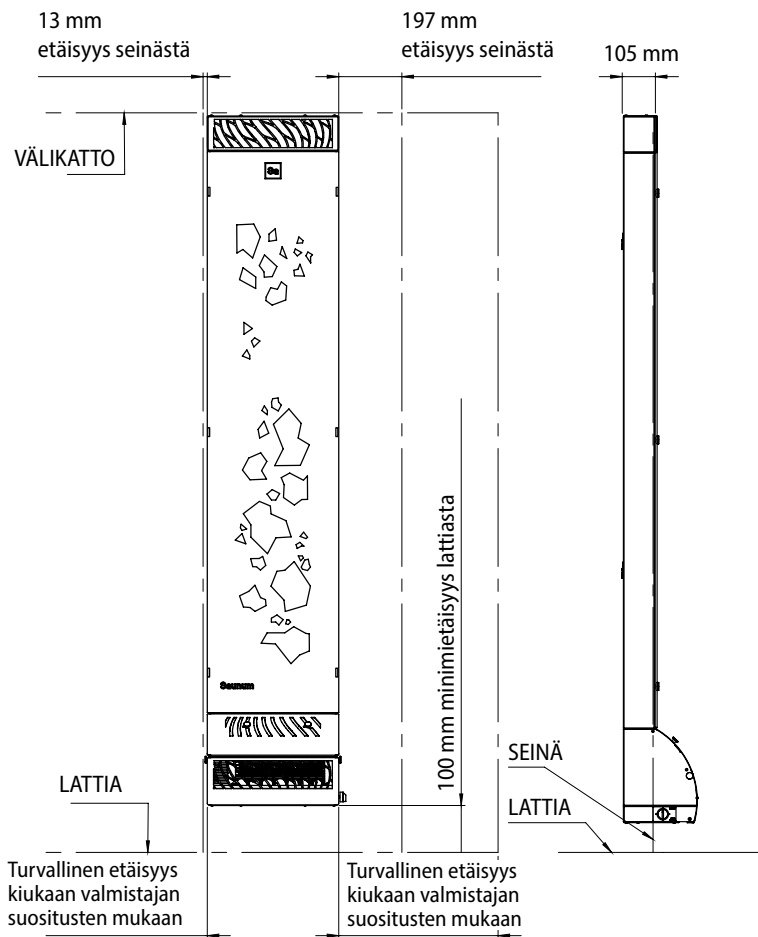
Sa



Sa

Kuva 1A – Malli Saunum BASE / BASE Short asennusetäisyydet.

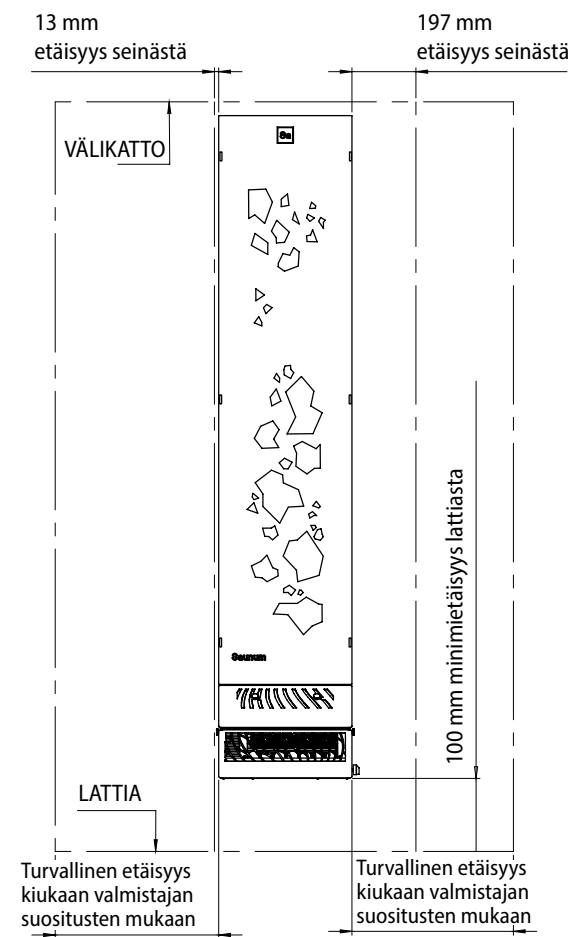
SEINÄN SISÄÄN ASENNETTAVA LAITE



Sa

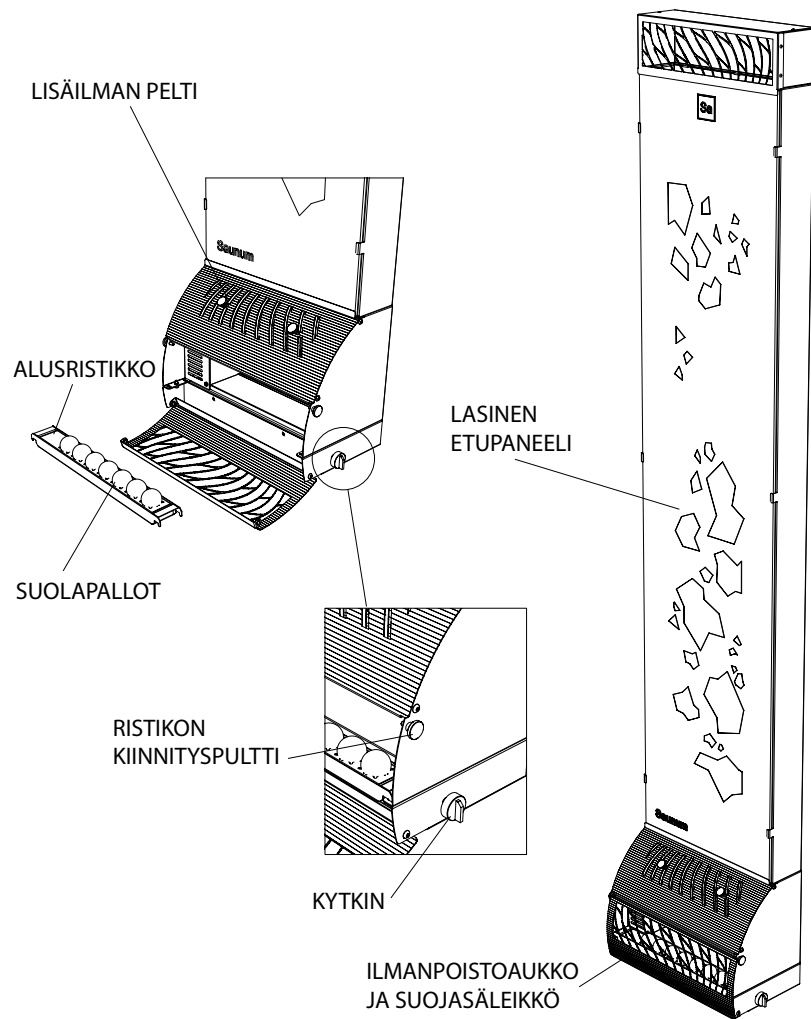
Kuva 1B – Malli Saunum BASE / BASE Short asennusetäisyydet.

SEINÄÄN ASENNETTAVA LAITE



Sa

Kuva 1C – Malli Saunum BASE / BASE Short laitteen osat.

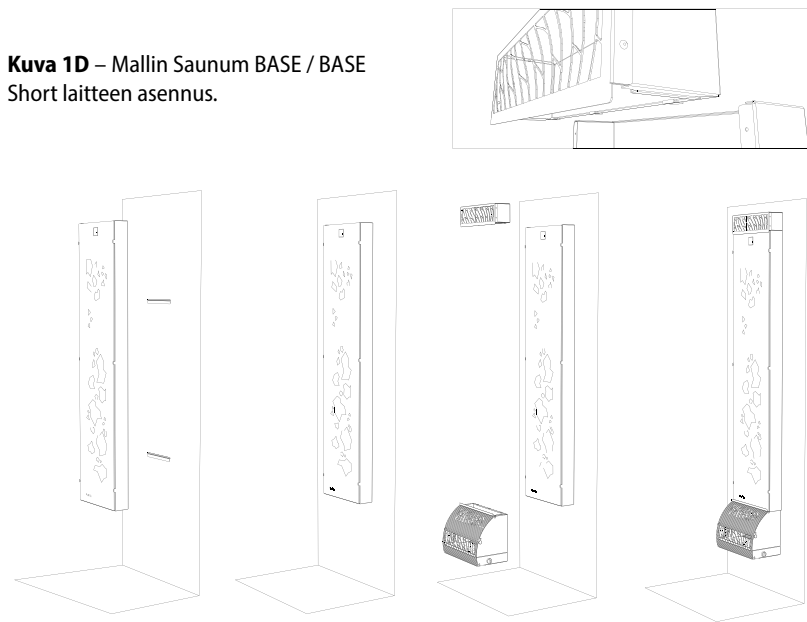


Sa

Laitte toimii kaikkein tehokkaammin, kun sen ylimmän ilmanvaihtoaukon reuna on löylyhuoneen katon vieressä (suojaristikolla varustetussa mallissa). Jos laitteessa ei ole suojaristikkoa, on laite asennettava siten, että sen yläreuna jäisi välikatosta 80–100 mm verran alemmas. Alareuna ei saa olla yli 100 mm lattiaa lähempänä, jotta lattialla oleva vesi ei joutuisi laitteen sähköliitäntään.

Laitte on tarkoitettu asennettavaksi seinään sen toimitukseen kuuluvien ripustuslistojen avulla. Laitteen asennuspaikan seinän on kestävä laitteen paino (vähintään 35 kg) ja mahdollistettava toimitukseen kuuluvien ripustuslistojen ruuvikiinnitykset. Kukin ripustuslista kiinnitetään löylyhuoneen seinään kahdella ruuvilla. Laitte nostetaan sen jälkeen seinään siten, että sen ylemmät ja alemmat listat liukuvat laitteen taka-seinään kiinnitettyjen listojen väliin.

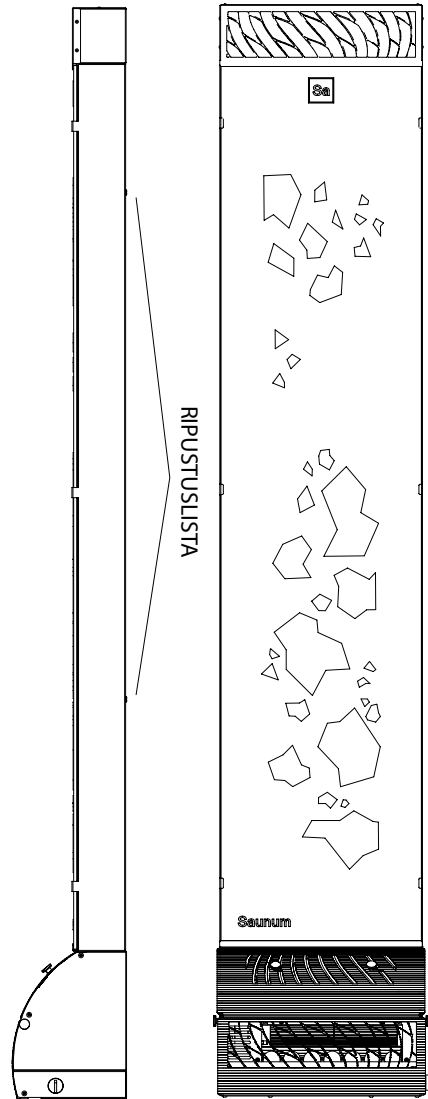
Kuva 1D – Mallin Saunum BASE / BASE Short laitteen asennus.



Sa

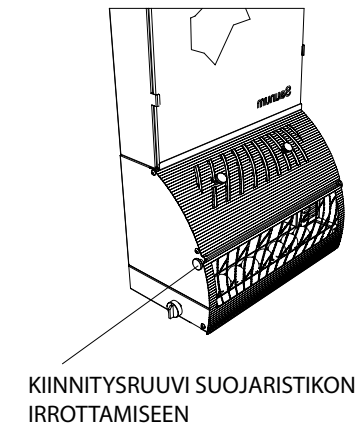
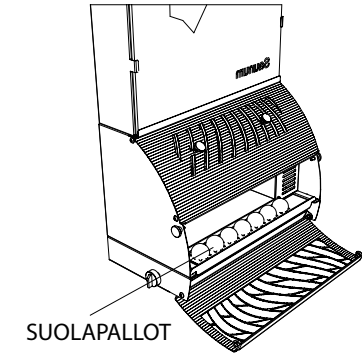
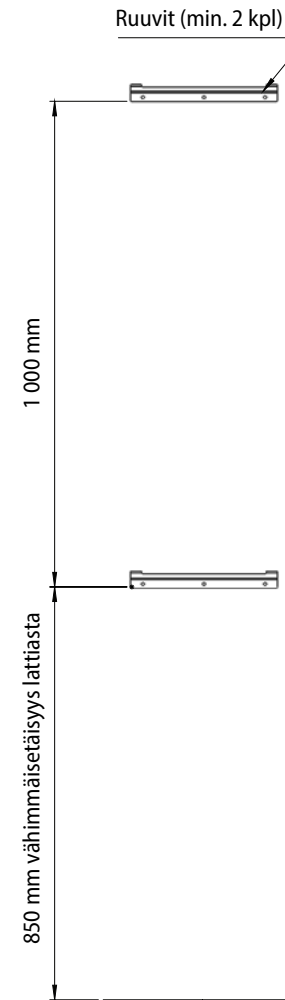
Kuva 1E – Mallin Saunum BASE/BASE Short suositeltava asennus ripustuslistalla.

1. Asenna laitteen toimituksen kuuluvat listat seinään. Tarvittaessa käytä vaaranoja.
2. Ripusta laite seinään kiinnitettyihin listoihin. Varmista, että laitteen takana olevat silmukat tukeutuisivat tasapuolisesti molempiin listoihin. (Käytä tarvittaessa vesivaakaa, varmistaaksesi, että laite on oikeassa asennossa.)
3. Varmista, että laitteessa ei ole ulkoisia vaurioita. Viallisen laitteen käyttö on kiellettyä!



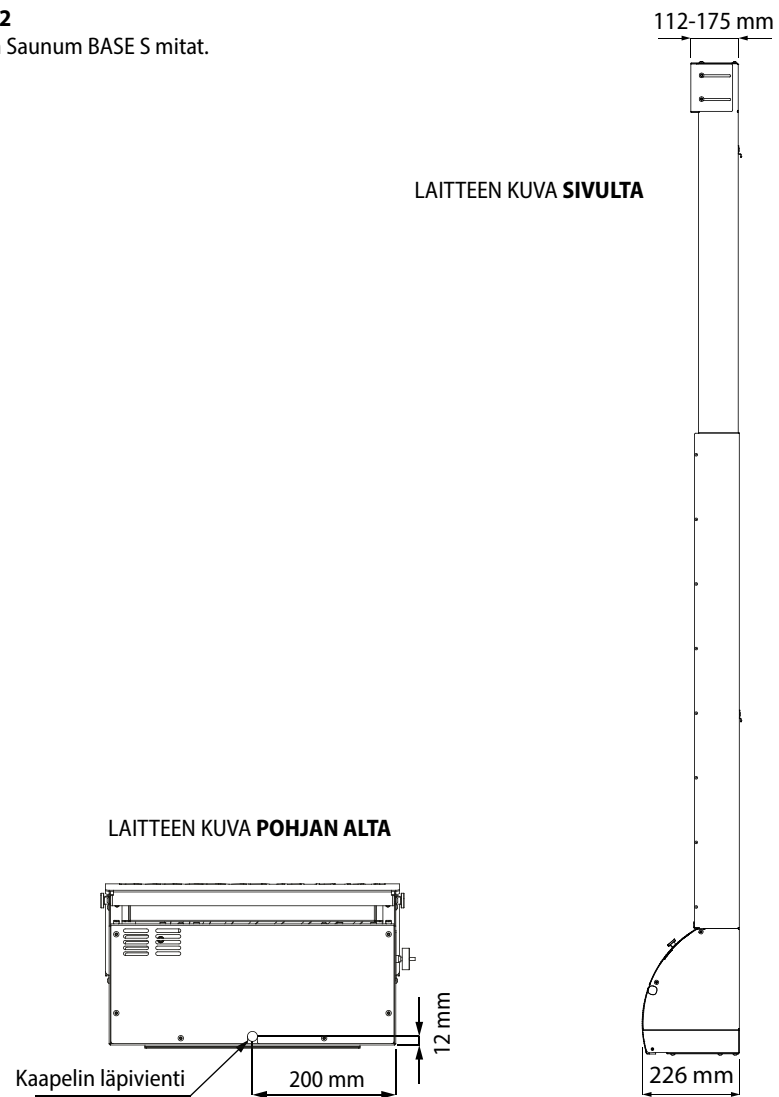
Sa

4. Asenna suolapallot. Suolapallot asennetaan laitteeseen sen seinään asentamisen jälkeen. Pallojen asentamista varten on avattava alempi säleikkö, poistamalla kaksi käsin irrotettavaa pulttia ja asentamalla pallot alusristikossa oleviin pesiin.

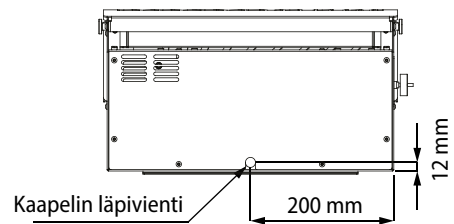


Sa

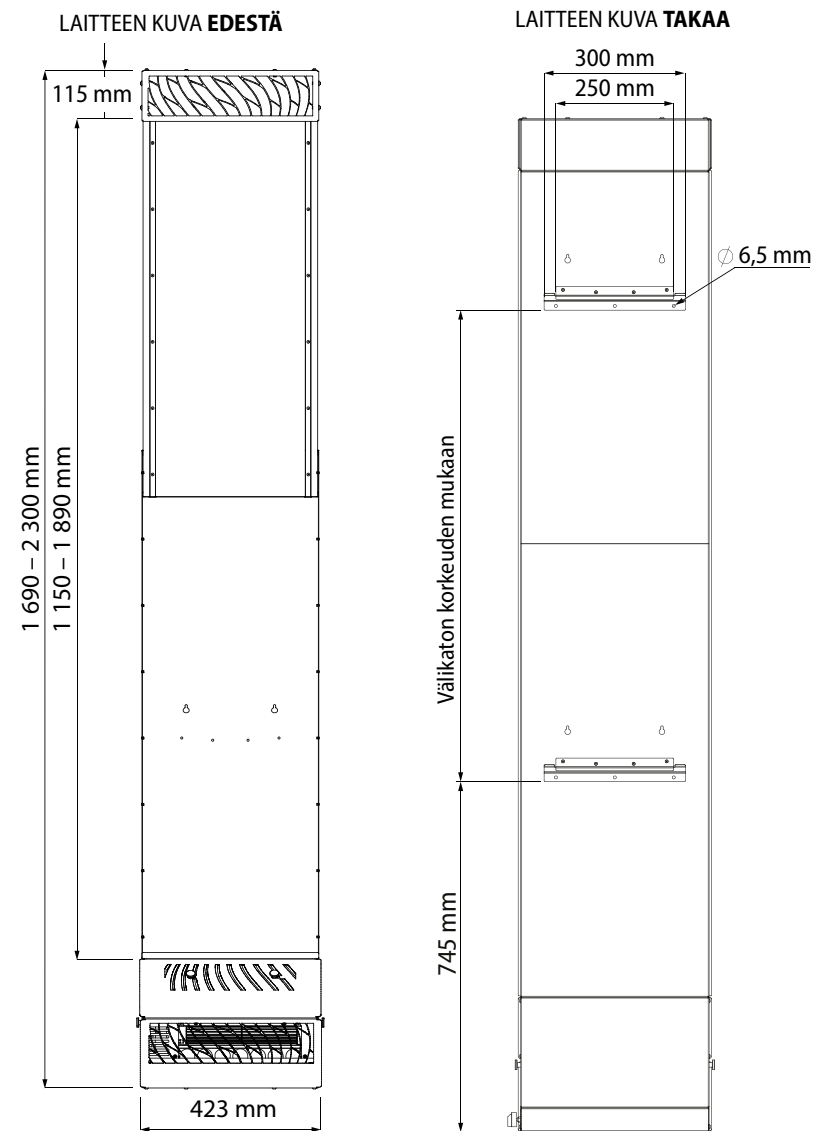
Kuva 2
Mallin Saunum BASE S mitat.



LAITTEEN KUVA **POHJAN ALTA**

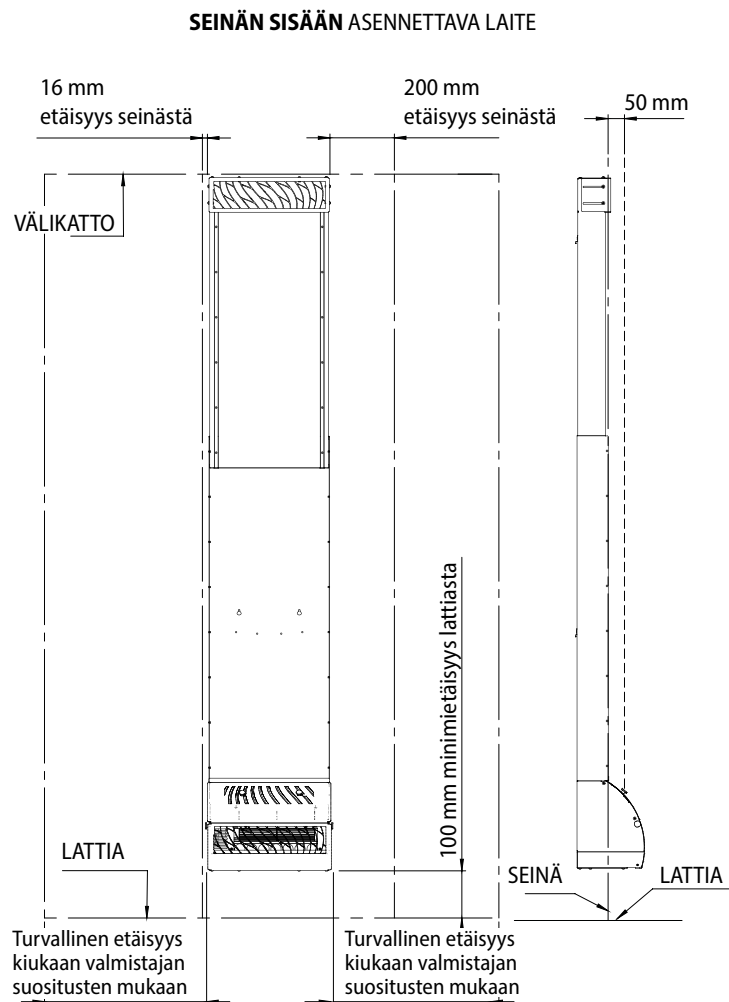


Sa



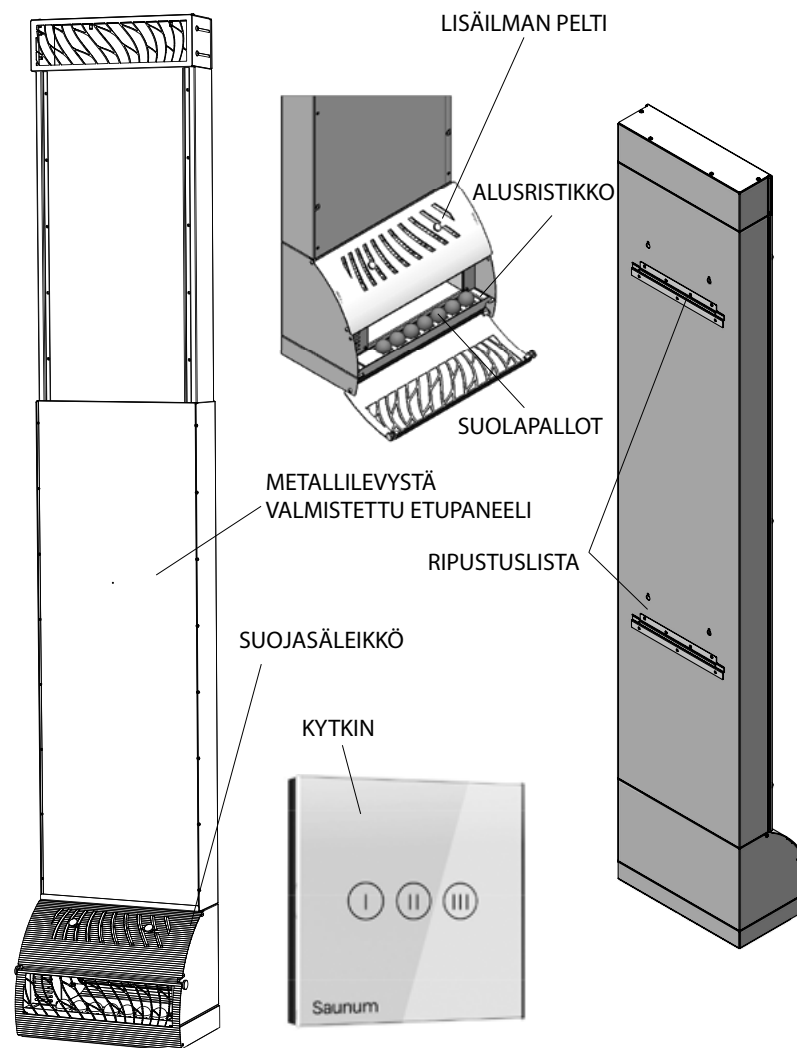
Sa

Kuva 2A – Mallin Saunum BASE S asennusetäisyydet.



Sa

Kuva 2B – Mallin Saunum BASE S laitteen osat.

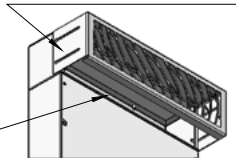


Sa

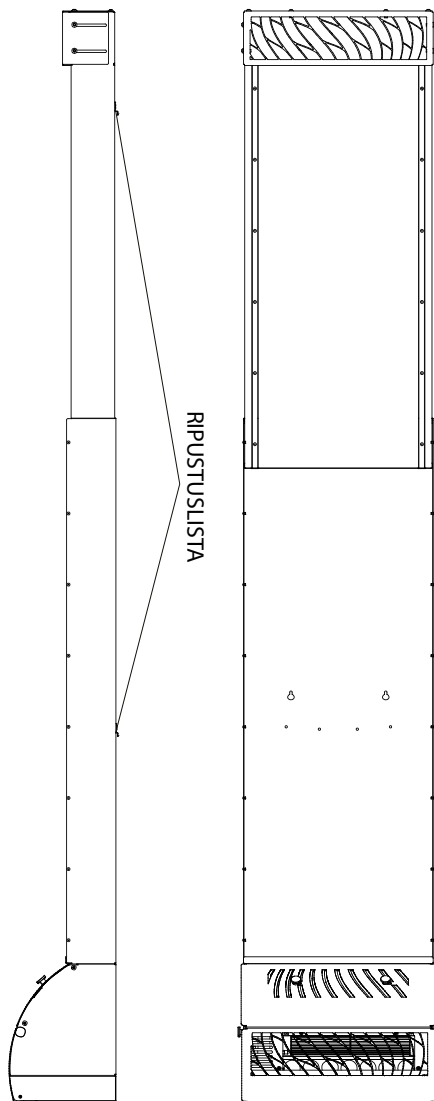
Kuva 2C – Mallin Saunum BASE S suositeltava asennus ripustuslistalla.

1. Asenna laitteen toimituksen kuuluvat listat seinään. Tarvittaessa käytä vaaranoja.
2. Ripusta laite seinään kiinnitettyihin listoihin. Varmista, että laitteen takana olevat silmukat tukeutuisivat tasapuolisesti molempiin listoihin. (Käytä tarvittaessa vesivaakaa, varmistaaksesi, että laite olisi oikeassa asennossa.)
3. Varmista, että laitteessa ei ole ulkoisia vaurioita. Viallisen laitteen käyttö on kiellettyä!
4. Ennen laitteen käyttöönottoa peitä avoimet aukot, käyttämällä siihen tarkoitukseen sopivaa alumiiniteippiä.

Säädettävät suojakannet sivuilla ja päällä



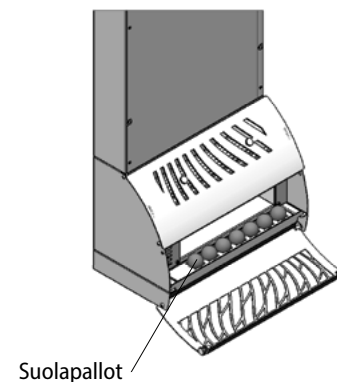
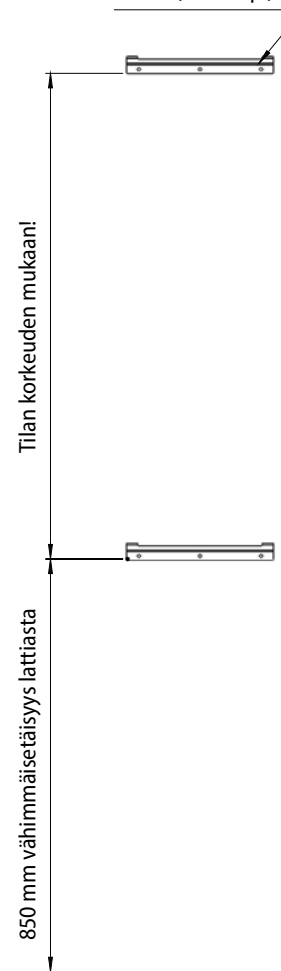
Aukko suojakannen alla teleskooppisuojakannen asennuksen jälkeen



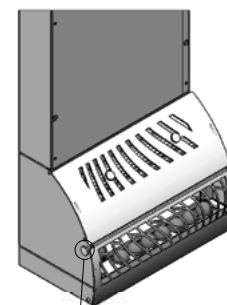
Sa

5. Asenna suolapallot. Suolapallot asennetaan laitteeseen sen seinään asentamisen jälkeen. Pallojen asentamiseksi on avattava alempi säleikkö, poistamalla kaksi käsin irrotettavaa pulttia ja asentamalla pallot alusristikossa oleviin pesiin.

Ruuvit (min 2 kpl)



Suolapallot



Kiinnitysruuvi suojaristikon irrottamiseen

Sa

SÄHKÖLIITÄNNÄT

HUOMIO! Laitteen sähköliitännän saa toteuttaa sähköasennusten osalta pätevyyden hankkinut henkilö voimassa olevia standardeja ja vaatimuksia noudattaen.

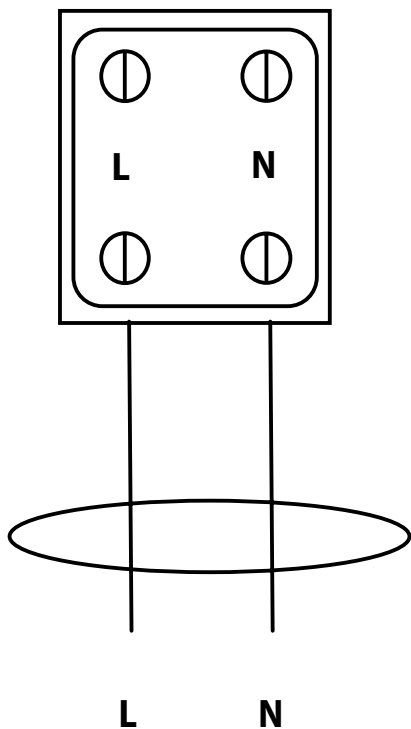
Laitteen liittäminen on toteutettava kiinteän asennuksen ympäristön lämpötilaolosuhteiden mukaisella kaapelilla ruuviliittimen avulla tässä käyttöohjeessa annetun sähköliitännän kaavojen mukaisesti (seuraavilla sivuilla kuvat 3, 3A, 4, 5 ja 6).

Kaapelin ulkohalkaisija ei saa ylittää 10 mm. Laitteen liittimeen on liitettävä suojamaadoitus (PE) vähintään 1,5 mm² johtimella. Laitteen syöttö otetaan 230 VAC 50/60 Hz sähköverkosta, joka on suojattu C2-ylivirtasuojalla, laitteen sähköliitännässä on oltava vikavirtasuoja, jotta löylyhuoneessa olevat saunojat olisivat turvassa.

Laitteen valaistus on liitettävä joko ulkoisella tai sisäisellä kytkimellä ohjattavaan järjestelmään. Ulkoisen valaistuskytkimen virtapiiri on myös varustettava vika- ja ylivirtasuojilla.

Laitteen valaistus- ja tuuletinpiirit liitetään ulkoisiin kytkimiin, joiden syöttöpiirit on varustettu vika- ja ylivirtasuojilla. Syöttökaapeli on vedettävä laitteen koteloon pystysuunnassa, jotta vesi ei pääsisi valumaan laitteeseen kaapelia pitkin. Kaapelin ulkovaipan voi kuoria vain laitteen kotelon sisälle ulottuvalta osuudelta.

Kuva 3 – Syöttökaapelin liittäminen sisäisen tuulettimen nopeusvalitsimilla varustetussa laitteessa.



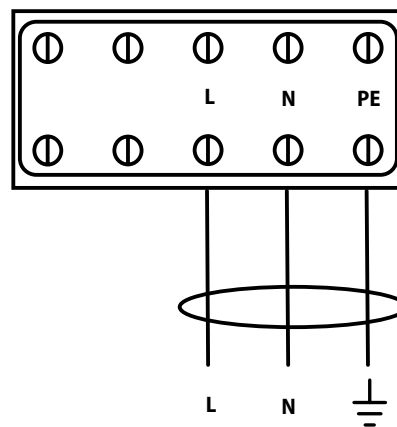
Kytentäkaavio koskee ainoastaan valaistua laitetta, jossa on ulkoinen kytkin!

Huom! Liitännät on toteutettava laitteen sähkökaavan sisältämiä ohjeita noudattaen.

Huom! Liitetään sähköverkkoon vain vikavirta- ja ylivirtasulakkeiden kautta!

Sa

Kuva 3A – Syöttökaapelin liittäminen sisäisen tuulettimen nopeuskytkimellä varustetussa laitteessa. Laitteen perussyöttö.



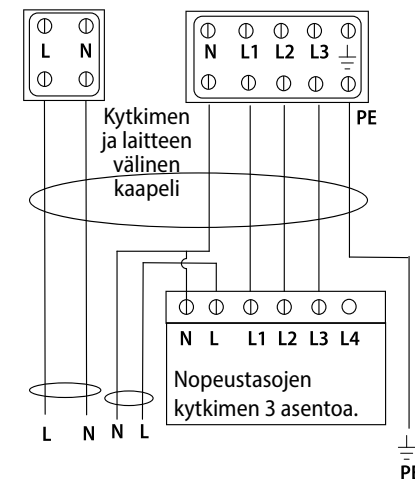
Huom! Liitetään sähköverkkoon vain vikavirta- ja ylivirtasulakkeiden kautta!

Käytettävän syöttökaapelin on oltava tarkoitettu käytettäväksi kiinteän sähköasennuksen toteuttamiseen ja vastattava löylyhuoneen sähköasennuksen vaatimuksia. Syöttökaapelin johtimen poikkileikkauksen pitää olla 1,5–2,5 mm².

Syöttökaapeli työnnetään laitteen pohjassa olevan aukon kautta asennusohjeen mukaisella tavalla.

Syöttökaapeli ei saa jäädä löylyhuoneen lattialle.

Kuva 4 – Syöttökaapelin liittäminen tuulettimen nopeuskytkimellä varustettuun laitteeseen.



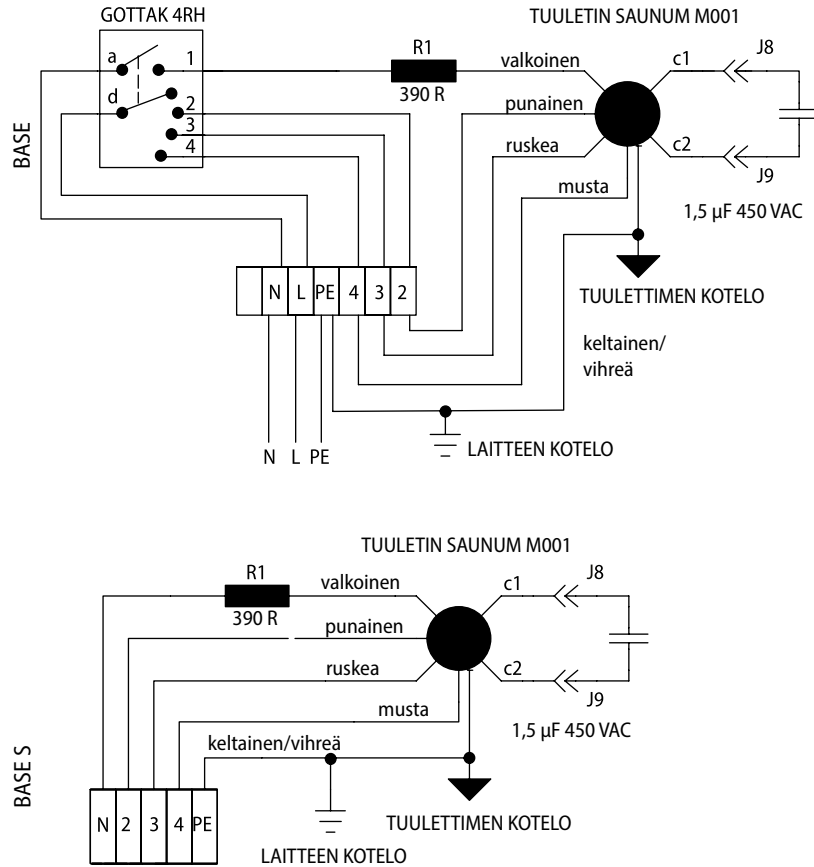
Huom! Liitetään sähköverkkoon vain vikavirta- ja ylivirtasulakkeiden kautta!

Tuulettimen sähkönsyöttö. Huom! Liitetään sähköverkkoon vain vikavirta- ja ylivirtasulakkeiden kautta!

Huom! Liitännät on toteutettava laitteen sähkökaavan sisältämiä ohjeita noudattaen.

Sa

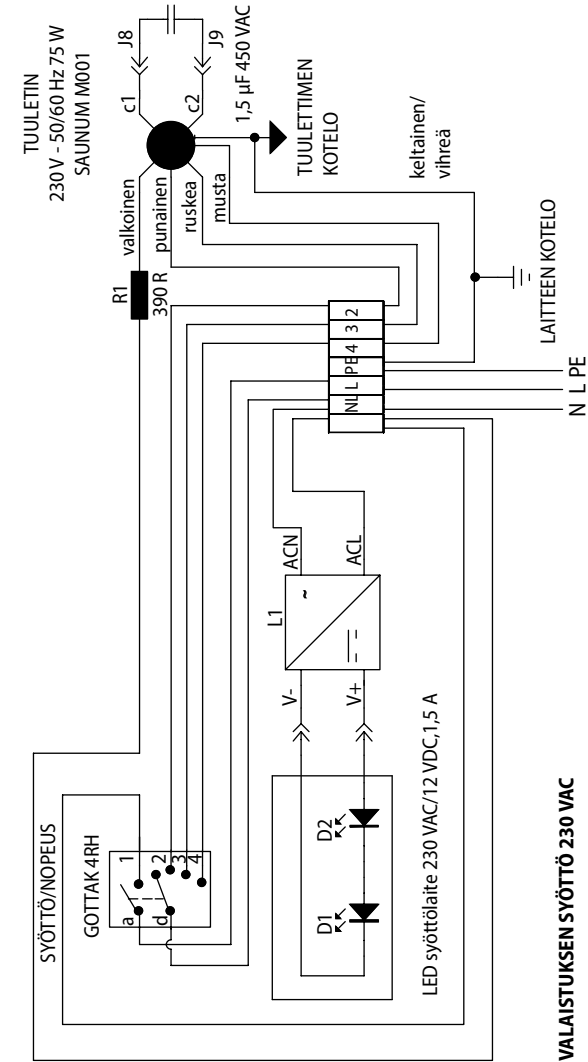
Kuva 5 – Sähkökaava: Laite, ilman kytkintä, valaistuksella.

**SYÖTTÖ/NOPEUS**

230 VAC TUULETTIMEN SYÖTÖN TULOIITIN
HUOM! VOIDAAN LIITTÄÄ VAIN AUTOMAATTISULAKKEEN KAUITTA!

Sa

Kuva 6 – Sähkökaava: Laite, valaistuksella ja kytkimellä.



VALAISTUKSEN SYÖTTÖ 230 VAC

SYÖTTÖ/NOPEUS

230 VAC TUULETTIMEN SYÖTÖN TULOIITIN
HUOM! VOIDAAN LIITTÄÄ VAIN AUTOMAATTISULAKKEEN KAUITTA!

Sa

KÄYTTÖOHJEET

Laitte on tarkoitettu löylyhuoneen ilmastotasoittamiseen löylyn heittämisen aikana.

Ennen laitteen ensikäyttöä on tarkistettava:

- Sähköliitännöiden vaatimustenmukaisuus.
- Syöttöjännitteen vastaavuus laitteen osalta sallittujen nimellisarvojen mukaan.
- Maadoitusjohdon (PE) kunto.
- Laitteen kotelon kiinnitykset.
- Laitteen seinäkiinnitys.
- Yli- ja vikavirtasuojan kunto/olemassaolo.
- Tuulettimen roottorin esteetön pyöriminen.
- Asennuksen aikana käytettyjen työkalujen ja materiaali jäämien poistaminen laitteen kotelosta.

Laitteen käynnistämisen yhteydessä tarkistetaan:

- Ilmavirran suunta – ilman sisään-tulo ylempäästä ja poisto alemmasta aukosta.
- Että tuulettimen pyöriessä ei synny tärinää tai epätavallista melua.
- Ledillä varustetun laitteen valaistuksen vakaus.

SAUNAN ILMASTON SÄÄTÄMINEN

Laitteen aiheuttamaa ilmankierron tilavuutta säädetään kääntökytkimellä, joka sijaitsee laitteen oikean sivun alaosassa.

Kytkimessä on neljä asentoa ja sitä voi kääntää myötä- ja vastapäivään. Kytkimen päällä olevan viivan osoittaessa vasemmalle on laitteen tuuletin sammutettu. Ilmavirran nopeus kasvaa kytkintä myötäpäivään käännettäessä, valittavissa on kolme eri nopeustasoa.

Löylyhuoneen ilman lämpötilan säätämiseen on laitteen etupaneelin alaosassa löylyilman jäähdytyspelti (katso Kuva 1C ja 2B). Suositeltava säätö on pitää jäähdytyspelti 1/3 osalta avattuna. Yritä löylyhöyryn jäähdyttämiseksi avata peltiä vähän kerrallaan. Kokeile tuulettimen eri nopeuksia, jotta löytäisit saunaan parhaiten sopivan sisäilmaston.

LAITTEEN KÄYTTÖ

Laitte on kytkettävä päälle heti löylyhuoneeseen astumisen jälkeen ja kytkettävä pois päältä löylyhuoneesta poistumisen jälkeen. Laitetta ei saa käyttää päälle kytkettynä sinä aikana, jolloin löylyhuonetta lämmitetään, sillä laitteen jatkuvasti toimiessa alkaa löylyhuoneen alaosan lämpötila nousta ja lauteet ja lattia saattavat kuumentua liikaa.

Sa

Laitteen pitkän käyttöiän varmistamiseksi on valvottava, että löylyhuoneen lämpötila laitteen alaosan korkeudessa ei ylittäisi 80 °C. Sen rajan ylittyessä lämpösuoja laukaistaan ja tuuletin pysähtyy. Tuuletin alkaa taas toimia lampotilan laskiessa laukaisemisrajan alapuolelle.

Valmistaja ei vastaa laitteen toimintahäiriöistä, joiden aiheuttajana on sallitun käyttölämpötilan ylittäminen.

Jos käyttämässäsi laitteessa on sisävalaistus, niin laitteen päälle kytkemisen yhteydessä käynnistyy yhdessä tuulettimen kanssa myös laitteen valaistus (katso merkinnät laitteen pakkauksessa).

Jos tilaamasi laite on seinään upotettava malli ja varustettu nopeustasojen valitsemiseen tarkoitettulla ulkoisella kosketusherkällä kytkimellä, niin on huomioitava seuraavat vaatimukset:

- Ulkoisen nopeustasojen kytkimen voi asentaa vain löyly- ja pesuhuoneen ulkopuolelle, mm. pukutilaan, paras sijoituspaikka olisi oven vieressä, jotta laitteen päälle ja päältä pois kytkeminen olisi sujuvaa.
- Ilmavirran tehokkuuden valitsemiseen on kytkimessä kolme eri asentoa. Laite kytketty päälle tai päältä pois painamalla kosketusnäytössä sopivan nopeuden tasoa ja pitämällä se painettuna.

- Nopeustason valitsemiseksi koskettaa vastaavaa aluetta.
- Jos laitteessa on sisäinen valaistus, niin sen päälle kytkemiseen on käytettävä erillistä kytkintä (lisävaruste).

HIMALAJAN SUOLAPALLOJEN KÄYTTÖ

Saunan ilmastointilaitteen mukana toimitetaan Himalajan suolapalloja. Suolapallojen käyttö laitteessa on vapaaehtoista eikä vaikuta laitteen perustoimintoihin.

Suolapallot on asennettava ilmanpoistoaukon säleikön ja tuulettimen välisellä alueella oleviin pesiin. Varmista, että suolapallot on sijoitettu oikein pesiinsä ja että ne eivät estä tuulettimen pyörimistä.

Suolapallojen asentamiseksi (katso kuva 1D ja 2C) tai poistamiseksi avataan poistoaukon säleikön kaksi kiinnitysruuvia ja käännetään säleikkö sen saranoiden varassa alaspäin. Liiallista voimaa ei saa käyttää! Suolapallojen asentamisen tai irrottamisen jälkeen sulje poistoaukon säleikkö ja kiinnitä se uudelleen kahden pultin avulla.

Saunan ilmastointilaitetta saa käyttää vain silloin, kun säleikkö on kiinnitetty paikoilleen!

Sa

VAROITUKSET

- Pitkään jatkuva oleskelu löylyhuoneessa nostaa kehon lämpötilaa ja vaarantaa terveyden!
- Älä salli lasten, vammaisten tai sairaiden ihmisten oleskella löylyhuoneessa ilman valvontaa.
- Konsultoi lääkärin kanssa löylyjen ottamisen mahdollisten terveyshaittojen osalta!
- Ota yhteyttä lääkäriin liittyen saunomisesta aiheutuviin mahdollisiin terveyshaittoihin.
- Varmista, ettet ole allerginen suolahoidolle. Saunum ei vastaa suolahoidon mahdollisista sivuvaikutuksista!
- Konsultoi lastenlääkärin (terveyskeskuslääkärin) kanssa lasten löylyhuoneessa oleskelun osalta!
- Ole saunassa ja löylyhuoneessa liikkussa varovainen, sillä lauteet ja lattia saattavat olla liukkaista!
- Älä mene saunaan, jos olet nauttinut alkoholia, ottanut lääkkeitä tai huumeita!
- Älä nukahda kuumaan löylyhuoneeseen!
- Merellinen ilma ja kostea ilmasto saattavat aiheuttaa kiukaan metallipintoihin oksidikerroksen (ruostekerroksen)!
- Varmista, että löylyhuoneessa on

toimiva ilmanvaihto. Saunum ei ole vastuussa mahdollisen suolan laitteisiin ja tekniikkaan mahdollisesti aiheuttamasta korroosiosta. Tarvittaessa käänny asiantuntijan puoleen!

- Älä ripusta pyyhkeitä tai vaatteita kuivumaan löylyhuoneeseen – palovaara!
- Ylimääräinen kosteus saattaa vahingoittaa sähkölaitteita!

Huom! Älä jätä saunan ilmastointilaitteen tuuletinta päälle, jos et oleskele itse löylyhuoneessa – se lisää energiankulutusta ja saunan lauteet kuumevat liikaa!

HUOLTO JA KORJAUS

VAROITUS! Ennen saunan ilmastointilaitteen huoltoa ja puhdistamista on laitteen sähkönsyöttö katkaistava ja odotettava, kunnes laitteen liikkuvat osat ovat kokonaan pysähtyneet.

Ennen laitteen huoltoa ja puhdistamista varmista, että:

- Laite on irrotettu sähköverkosta (laitteen sähkökytkimen lisäksi myös ylivirtasuojien kautta).
- Laitteen tuuletin on täysin pysähtyksissä.

Sa

- Töiden toteuttamisessa käytetään siihen tarkoitukseen sopivia työturvallisuus- ja henkilösuojaimia.
- Liitäntäkaapelit ovat ehjiä. Liitäntäkaapelin vaurioiden ilmetessä on ennen huolto- ja puhdistustöiden jatkamista vaihdettava kaapelit voimassa olevien standardien ja vaatimusten mukaisiin. Sähköasennustöitä voi suorittaa vain pätevä sähköasentaja.

Laitteen kotelo voidaan puhdistaa vedellä kostutetulla liinalla.

Laitteen puhdistamiseen ei saa käyttää painepesuria tai juoksevaa vettä! Puhdistamiseen ei saa käyttää kemiallisia puhdistusaineita tai liuottimia!

Ylimääräinen lika saattaa siirtää tuulettimen roottorin sen tasapainotetusta asennosta, mikä aiheuttaa osaltaan melun voimistumisen laitteen toiminnan aikana. Melu saattaa voimistua tuulettimen siipien vaurioitumisen/taivuttamisen seurauksena. Varmista, että tuulettimen roottorin pyörimisalueelle ei joudu vieraita esineitä.

Yleensä tuuletinta ei tarvitse puhdistaa useammin kuin kerran vuodessa.. Tuulettimen puhdistamisen voi suorittaa vain asianmukaisen pätevyyden hankkinut henkilö.

Jos tuulettimen puhdistamiseen käytetään paineilmaa, tuulettimen roottorit saattavat vaurioitua pysyvästi!

Tuulettimen laakerit ovat huoltovapaita ja jos niiden toiminnassa ilmenee häiriöitä, on laakerit vaihdettava uusiin.

Varmista, että saunan ilmastointilaitteen tuulettimen ilmanottoaukoissa ei ole vieraita esineitä. Lasten ei saa antaa puhdistaa laitetta.

Jos saunan ilmastointilaitteessa käytetään Himalajan suolapalloja, on suositeltavaa tarkistaa kerran vuodessa suolapallojen kulumisaste (katso kuvat 1D ja 2C).

Jos pallojen halkaisija on pienentynyt yli puoleen alkuperäisestä halkaisijasta, on suolapallot vaihdettava uusiin. Sitä varten irrotetaan laitteesta pallojen säiliö ja se pestään juoksevalla vedellä suolakiteiden poistamiseksi. Sen jälkeen asenna säiliö takaisin paikoilleen ja laita pesiin uudet suolapallot.

Kaikkien laitteen tuulettimen ja valaistuksen toiminnassa ilmenevien häiriöiden kohdalla on laitteen käyttö välittömästi keskeytettävä ja annettava alan asiantuntijan tarkistaa laite mahdollisten toimintahäiriöiden varalta.

Sa

SAUNUM-TUOTTEIDEN YLEISET TAKUUEHDOT

Saunum varmistaa Saunum-laitteille annettulla takuulla, että tuotteessa ei ole ostopäivän jälkeisen tietyn ajanjakson aikana materiaalista tai kokoamislaadusta johtuvia virheitä. Jos laitteessa ilmenee takuuajan aikana laatuvaatimukset alittavien materiaalien käytöstä tai asennustyön laadusta johtuvia virheitä, niin Saunumin yhteistyökumppaneina toimivat korjauspalvelut tarjoavat korjaavat tai vaihtavat laitteen tai viallisen osan ilman työkulujen ja varaosien korvauksen vaatimista alla ilmoitettujen ehtojen nojalla. Saunum pidättää oikeuden päättää, vaihdetaanko viallinen tuotteen osa tai vaihdetaanko koko laite uuteen. Vaihdetut vialliset tuotteet ovat Saunumin omaisuutta.

Takuuehdot:

1. Takuu on voimassa vain sillä edellytyksellä, että reklamaation mukana toimitetaan täytetty asennuspöytäkirja.
2. Laitteen takuu-aika yksityisessä käytössä on kaksi (2) vuotta.
3. Laitteen takuu-aika julkisessa saunassa on yksi (1) vuosi.

Takuu ei kata:

1. Laitteen säännöllinen huolto ja puhdistus sekä tavanomaisen kulumisen aiheuttama osien vaihto;
2. Laitteen muokkaaminen tai rakenteen muuttaminen muuhun kuin käyttöohjeessa mainittuun tarkoitukseen;
3. Kuljetuksesta johtuvat riskit;
4. Laitteen väärästä käytöstä johtuvat vauriot;
5. Laitteen väärästä asennustavasta johtuvat vauriot;
6. Laitteen korjaus, jonka on suorittanut muu kuin Saunumin nimeämä korjauspalveluiden tarjoaja (huoltopalveluita tarjoava yhteistyökumppani);
7. Onnettomuustapaukset, salaman isku, vesi, palo, väärällä tavalla järjestetty ilmanvaihto tai muu seikka, johon Saunum ei voi vaikuttaa;
8. Toimintahäiriöt, joiden aiheuttajana on suolapallojen, joita Saunum ei ole suositellut, käyttö;
9. Suolapallot.

Saunum Saunas OÜ:n suosittelemat asennus- ja huoltopalveluiden tarjoajat löytyvät Saunum Saunas OÜ:n kotisivulta www.saunum.com tai lähettämällä sähköpostia osoitteeseen info@saunum.com.

Sa

Saunum laitteen huolto-ohjeet löytyvät laitteen käyttöohjeesta.

Huom! Saunan ilmastointilaitteen voi liittää sähköverkkoon vain pätevä sähköasentaja, voimassa olevia vaatimuksia noudattaen.

Lue koko käyttöopas huolellisesti ja perusteellisesti ennen laitteen käyttöä ja pidä se turvallisessa ja helposti saatavilla olevassa paikassa myöhempiä käyttöä varten.

ASENNUSPÖYTÄKIRJA

Ostopäivä: _____

Kiukaan tyyppi: _____

Tarra/sarjanumero: _____

Asennuspaikka: _____

Asennuksen päivämäärä: _____

Asentaja: _____

Tarkistettu: _____

Päivämäärä, allekirjoitus: _____

Toteutettujen töiden kuvaus: _____

Kaikki asennukseen tarvittavat osat ovat olemassa _____

Väri- ja vaurioita ja lommoja ei ole _____

Asennettu ohjeen mukaisesti seinään tai lattiaan _____

Sähköliitännät on toteutettu asennusohjeen mukaisesti _____

Tuulettimen kolme tasoa toimivat / oikeassa järjestyksessä _____

Huomautukset: _____

Asiakkaan yhteystiedot (nimi, sähköposti): _____

Työ otettu hyväksytysti vastaan: _____

Takuun alkupäivä: _____

ASIAKAS TÄYTTÄÄ



EU-vaatimustenmukaisuusvakuutus

Valmistaja: Saunum Saunas OÜ

Osoite: Läike tee 2-4

75312 Peetri, Viro

vakuuttaa täten, että tuote:

Saunan löylyhuoneen ilmastointilaitte

Täyttää seuraavien Euroopan neuvoston direktiivien asettamat vaatimukset edellyttäen, että asennus on suoritettu laitteen valmistajan laatimaa asennusohjetta noudattaen ja standardin EN 60 204-1 "Koneturvallisuus. Koneiden sähkölaitteisto – Osa 1: Yleiset vaatimukset": Konedirektiivin 2006/42/EY Matalajännitedirektiivin 2014/35/EU Sähkömagneettisen yhteensopivuuden direktiivin 2014/30/EU mukaisesti.

Sa

Saunum

För bastuklimatenhet

Saunum BASE / BASE Short / BASE S

Sa

DEN BÄSTA BASTUUPPLEVELSEN NÅGONSIN!

Jag är mycket glad över att du har investerat i den här Saunumenheten och jag är övertygad om att vår innovativa teknik kommer att ge dig en underbar och extraordinär bastuupplevelse.



Jag är utbildad inom termisk teknik och kommer från södra Estland, där också min kärlek för att basta föddes. Det unika med den lokala, historiska rökbastun är att den har lägre temperatur och högre luftfuktighet än exempelvis en klassisk finsk bastu. I en vanlig bastu är bastuaggregatets stenvolym ofta ganska liten. Detta kan orsaka en plötslig, brännande het ånga och en extremt ojämn temperatur, där det är mycket varmt på huvud- och axelnivå men fortfarande lite kallt vid fötterna. En sådan upplevelse kan vara ganska obehaglig och kan orsaka huvudvärk och vara påfrestande för kroppen. I historiska rökbastur och ursprungssamerikanernas motsvarighet värmdes däremot stenarna först upp under dagen. Därefter användes den värme som lagrats i stenarna för att rena kroppen och skapa en genuint njutningsfull bastuupplevelse.

Med inspiration från mina erfarenheter av rökbastur ville jag skapa en innovativ lösning som kombinerar de bästa egenskaperna hos en autentisk bastu med modern teknik för att tillhandahålla en behagligt mild och avkopplande bastuupplevelse utan plågsamt brännande ånga. Men för att göra det var jag tvungen att lösa problemet med hur man uppnår en jämn temperatur på alla nivåer i bastun. Mitt

Sa

utvecklingsarbete stöddes av forskning vid Tallinns tekniska universitet, där vi analyserade den termiska skiktningen och luftcirkulationen i basturummet. Saunum föddes i ett samarbete mellan vetenskapligt tänkande och teknisk innovation.

Saunums unika, patenterade blandningssystem av luftskikt fångar upp den heta ångan som stiger under taket i saunrummet, blandar den med den kallare luften från golvytan och leder den mildare ångan tillbaka på ett jämnt sätt. Resultatet blir en skön, mildare värme. Du kan sitta i bastun längre och njuta av en djuprengöring utan att känna dig trött. Stenvolymen i våra aggregat är betydligt större än i andra bastuaggregat, vilket är anledningen till det särskilt behagliga värmen, med varaktig och mjuk ånga.

Fuktig ångbastu, sanarium, läkande saltbastu eller hälsofrämjande arombastu – Saunums enheter erbjuder alla dessa funktioner för att skapa en genuint avkopplande bastuupplevelse. När du använder Himalayasaltkuler i vår enhet avdunstar saltjoner som är hälsosamma för hud och luftvägar och som cirkulerar i luften tillsammans med ångan. Genom att tillföra ett aromsystem som blandar ångan med hälsosamma eteriska oljor skapas en ännu skönare bastumiljö.

Saunums bastuenheter är lämpliga för både vuxna och barn.

Ha en skön bastu!

Andrus Vare
Skaparen av Saunum



Saunum Saunau OÜ
önskar dig trevlig användning
 av din nya innovativa
 bastuklimatenhet



INNEHÅLLSFÖRTECKNING

Säkerhetsinformation _____	240
MONTERINGSANVISNINGAR	
Montering _____	242
Dimensioner för modellerna Saunum BASE / BASE Short _____	243
Monteringsavstånd för Saunum BASE / BASE Short _____	244
Komponenter för Saunum BASE / BASE Short _____	246
Montering av Saunum BASE / BASE Short _____	247
Dimensioner för modellen Saunum BASE _____	250
Monteringsavstånd för Saunum BASE S _____	252
Komponenter för Saunum BASE S _____	253
Montering av Saunum BASE S _____	254
Elanslutningar _____	256
BRUKSANVISNING	
Bruksanvisning _____	260
Inställning av bastuklimatet _____	260
Användning av enheten _____	260
Användning av Himalayasaltkolor _____	261
Varningar _____	262
Underhåll och reparation _____	263
Garanti _____	264
Monteringsprotokoll _____	265



Sa

Denna bruks- och monteringsanvisning är avsedd för bastuns ägare eller den som är underhållsansvarig, samt den ansvarige elektrikern vid montering av bastuklimatenheten. Efter utförd montering av bastuklimatenheten ska dokumentet överlämnas till ägaren eller den underhållsansvarige. Monterings- och säkerhetsanvisningen måste läsas igenom innan Saunums bastuklimatenhet BASE, BASE Short eller BASE S tas i bruk.

Saunum Saunas OÜ:s klimatenhet **BASE / BASE Short / BASE S** för basturum (nedan kallad "Enheten") får inte tas i bruk förrän monterings- och säkerhetsanvisningen har lästs igenom!

Enheten är avsedd för att blanda olika luftskikt i ett basturum, jämna ut temperaturerna i bastun och som tillval sprida saltjoner från medföljande kulor av Himalayasalt i rumsluften. Den särskilda fläkten i enheten ger ett luftflöde som jämnar ut de högre och de lägre luftskikten med olika temperatur i ett uppvärmt basturum genom att blanda dem så att bastuången blir mjuk och jämn.

OBS! Bastuklimatenheten får aldrig användas om bastuaggregatets värmare är ställd till över 100 °C!

OBS! Det är förbjudet att använda enheten för ett annat ändamål än det avsedda!

Sa

Försäkra dig om att du inte är allergisk eller har några kontraindikationer mot salt miljö. Fråga en läkare om medicinska kontraindikationer.

Saunum Saunas OÜ åtar sig inget ansvar för biverkningar för användarens hälsa. Användning av Himalayasaltkulor i enheten är en frivillig extrafunktion som inte påverkar enhetens funktion för utjämning av klimatet i basturummet.

Vid minsta tvivel när det gäller hälsoeffekter kan man ta bort saltkulorna från kulhållaren och enbart använda enheten för att blanda luftskikten.

VAR FÖRSIKTIG! Bastuklimatenheten får endast vara igång medan man badar bastu. Den ska vara avstängd under uppvärmningen och pauser i bastubadet!

Häll aldrig in vatten i enhetens hölje eller ventilationsöppningar. Enheten får inte heller användas i utrymmen där vatten rinner på golvet eller där brännbara/explosionsfarliga gaser kan läcka ut i luften.

Enheten får inte användas om någon detalj av dess hölje har avlägsnats och/eller dess elschema har modifierats. Barn får inte komma åt enheten eller leka med den. Barn får inte rengöra enheten.

Montering av enheten måste utföras av en kvalificerad elektriker. Enheten ska anslutas

permanent med en kabel som är lämplig för de omgivande temperaturförhållandena. Skyddsjord (PE) med minst 1,5 mm² ledartvärsnitt måste anslutas till enhetens anslutningskontakt. Strömmatning till enheten ska ske från en matningsströmkrets som är skyddad med överströmskydd och jordfelsbrytare. Inspänning: 230 V 50/60 Hz, effekt: 75 W.

VAR FÖRSIKTIG! Koppla bort enheten från elnätet och vänta tills enhetens rörliga delar stannar helt före underhåll och rengöring.

VAR FÖRSIKTIG! Höljet på enheten har vassa hörn och kanter som kan orsaka personskada.

VAR FÖRSIKTIG! Bastuklimatenheten måste monteras så att dess utblåsöppning inte är riktad mot bastuaggregatet.

TRANSPORT OCH FÖRVARING

Tillverkaren har förpackat enheten så att den är skyddad i normala transportförhållanden. Enheten får inte falla, slängas eller förvaras under tunga föremål. Enheten måste förvaras i torra, väderskyddade utrymmen.

Sa

MONTERING

OBS! Läs igenom Säkerhetsinformationen (s. 240–241) innan monteringen påbörjas!

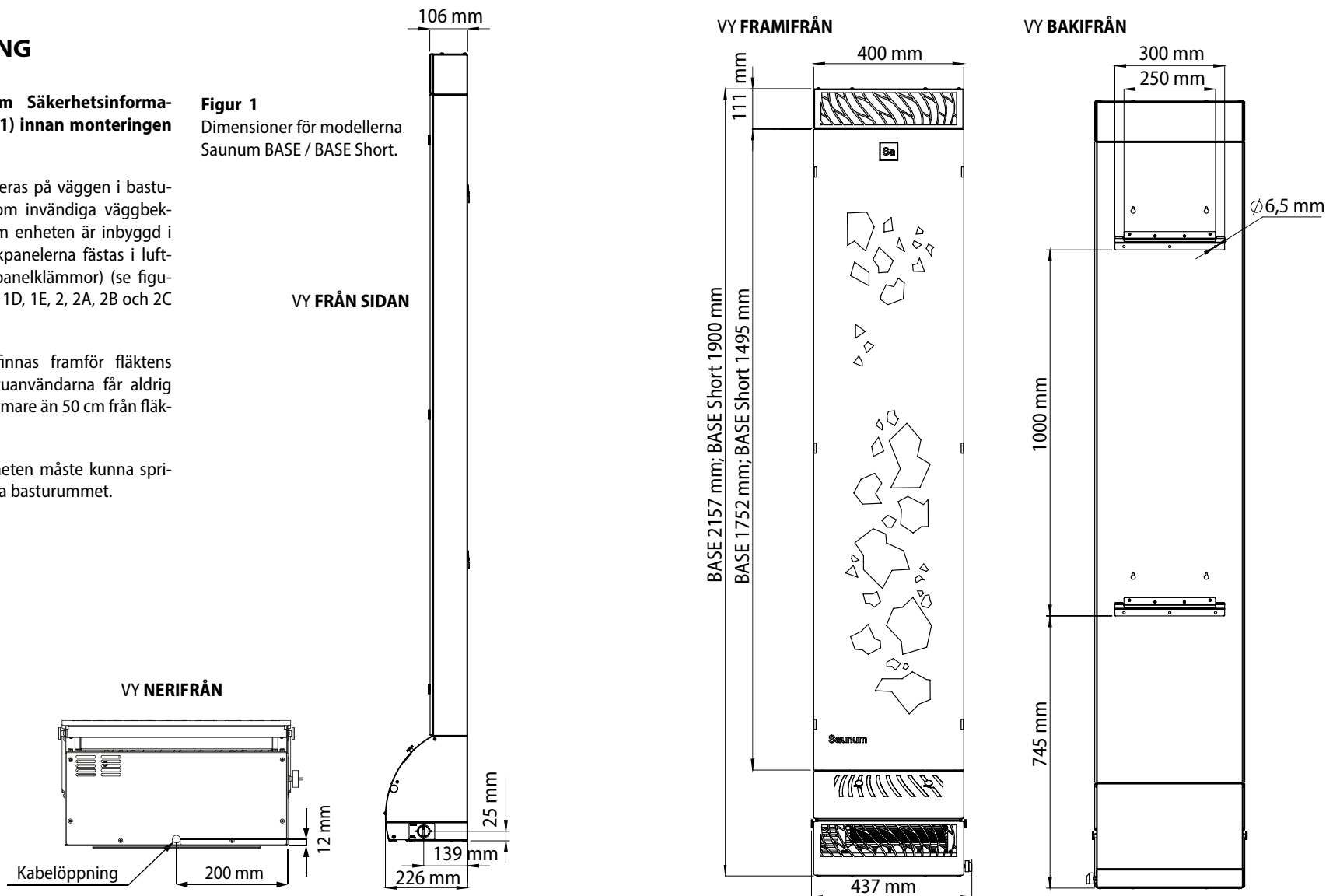
Enheten kan monteras på väggen i basturummet eller bakom invändiga väggbeklädnadspaneler (om enheten är inbyggd i väggen måste täckpanelerna fästas i luftkanalplåten med panelklämmor) (se figurerna 1, 1A, 1B, 1C, 1D, 1E, 2, 2A, 2B och 2C på följande sidor).

Inga hinder får finnas framför fläktens mynning och bastuanvändarna får aldrig hålla sina fötter närmare än 50 cm från fläkten.

Luftflödet från enheten måste kunna spridas fritt genom hela basturummet.

Figur 1

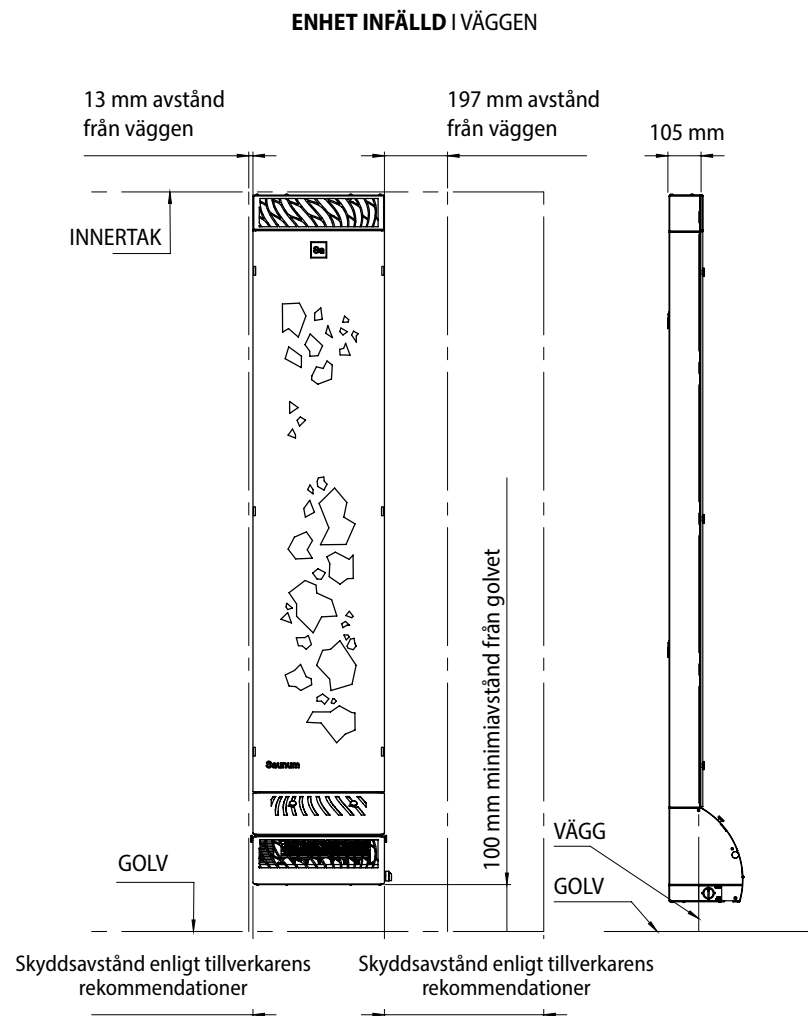
Dimensioner för modellerna Saunum BASE / BASE Short.



Sa

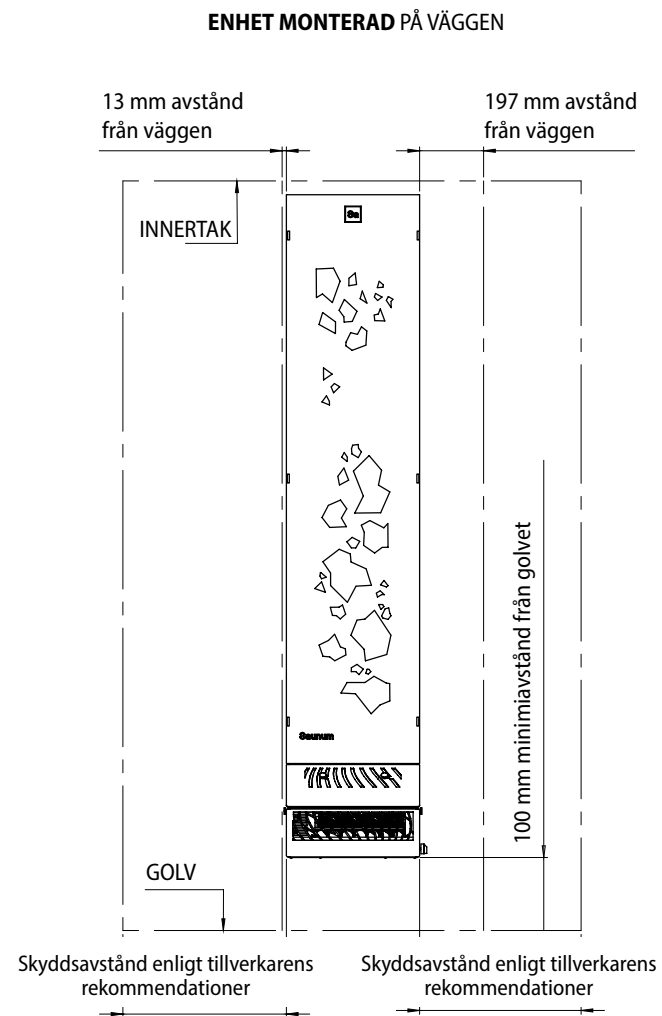
Sa

Figur 1A – Monteringsavstånd för Saunum BASE / BASE Short.



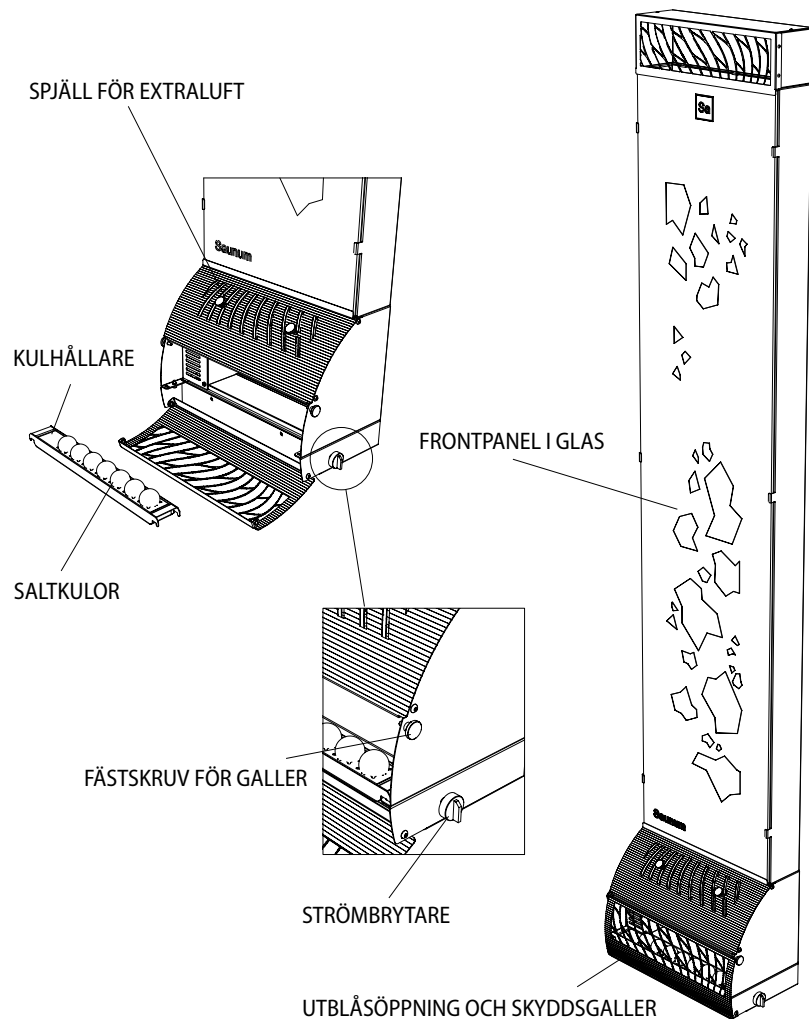
Sa

Figur 1B – Monteringsavstånd för Saunum BASE / BASE Short.



Sa

Figur 1C – Komponenter för Saunum BASE / BASE Short.

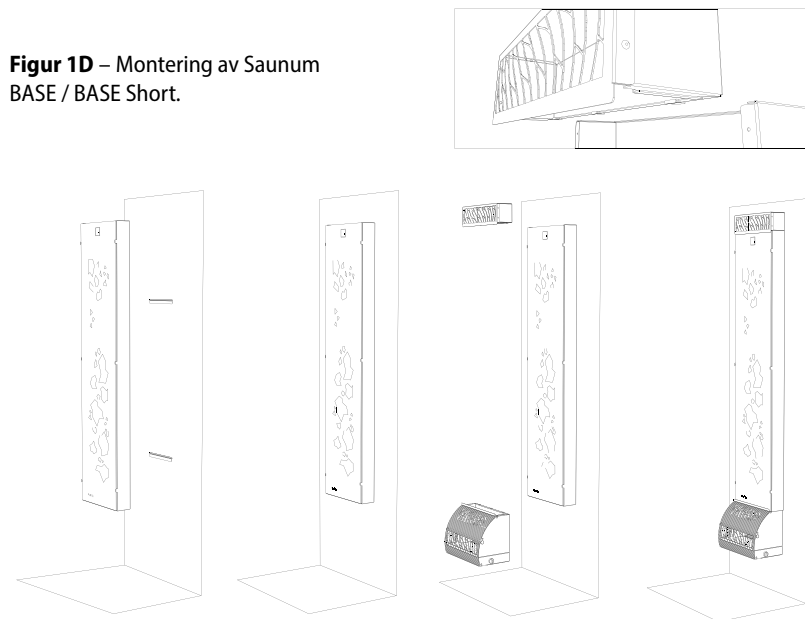


Sa

Enheten fungerar effektivast om kanten på dess övre ventilationsöppning ligger mot basturummets innertak (för modeller med skyddsgaller). Om enheten saknar övre skyddsgaller bör den monteras så att överkanten ligger 80–100 mm lägre än innertaket. Nederkanten får inte hamna närmare golvet än 100 mm för att undvika att vatten på golvet kan komma i kontakt med enhetens elanslutningar.

Enheten är avsedd för väggmontering med hjälp av medföljande upphängningslister. Väggen där enheten ska monteras måste vara lämpad för minst 35 kg vikt och även kunna hålla de medföljande upphängningslisterna som monteras med skruvar. Upphängningslisterna monteras på basturummets vägg med minst två skruvar i varje list. Enheten lyfts sedan upp på väggen så att både den övre och den nedre vägglisten kan skjutas in mellan listerna på enhetens baksida.

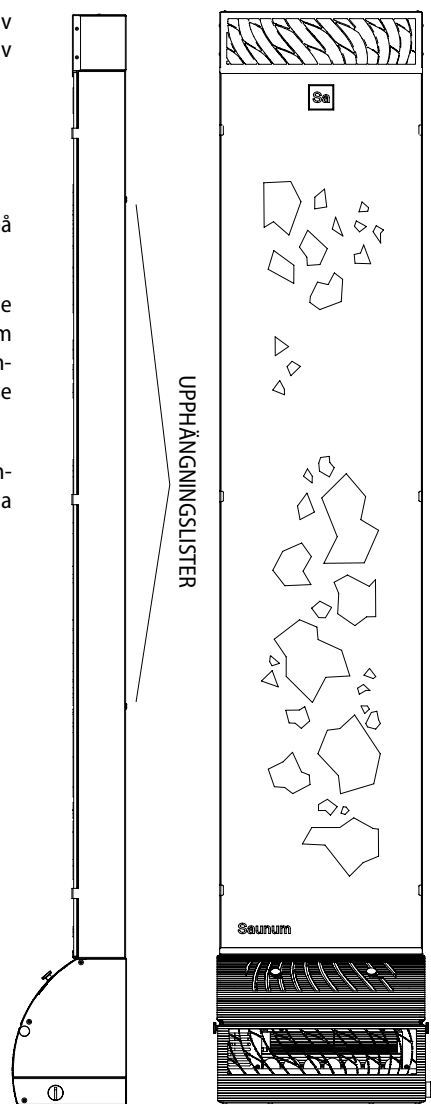
Figur 1D – Montering av Saunum BASE / BASE Short.



Sa

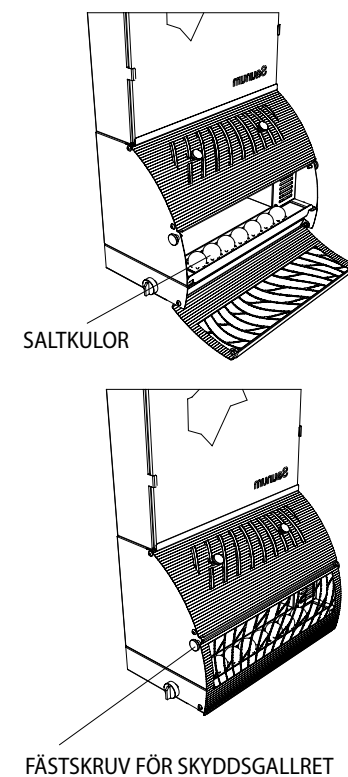
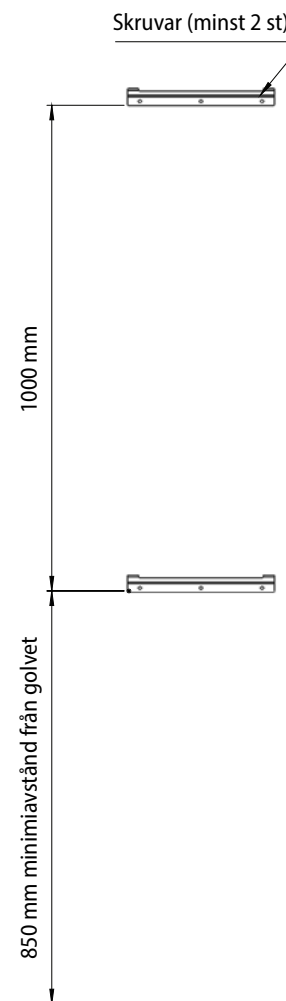
Figur 1E – Rekommenderad montering av Saunum BASE / BASE Short med hjälp av upphängningslister.

1. Montera fast de medföljande listerna på väggen. Använd pluggar vid behov.
2. Häng upp enheten på de fastmonterade listerna på väggen. Se till att hålen bakom enheten vilar jämnt på båda listerna. (Använd ett vattenpass vid behov för att se till att enheten är i våg.)
3. Kontrollera att enheten är fri från utvändiga skador. Det är förbjudet att använda en skadad enhet!



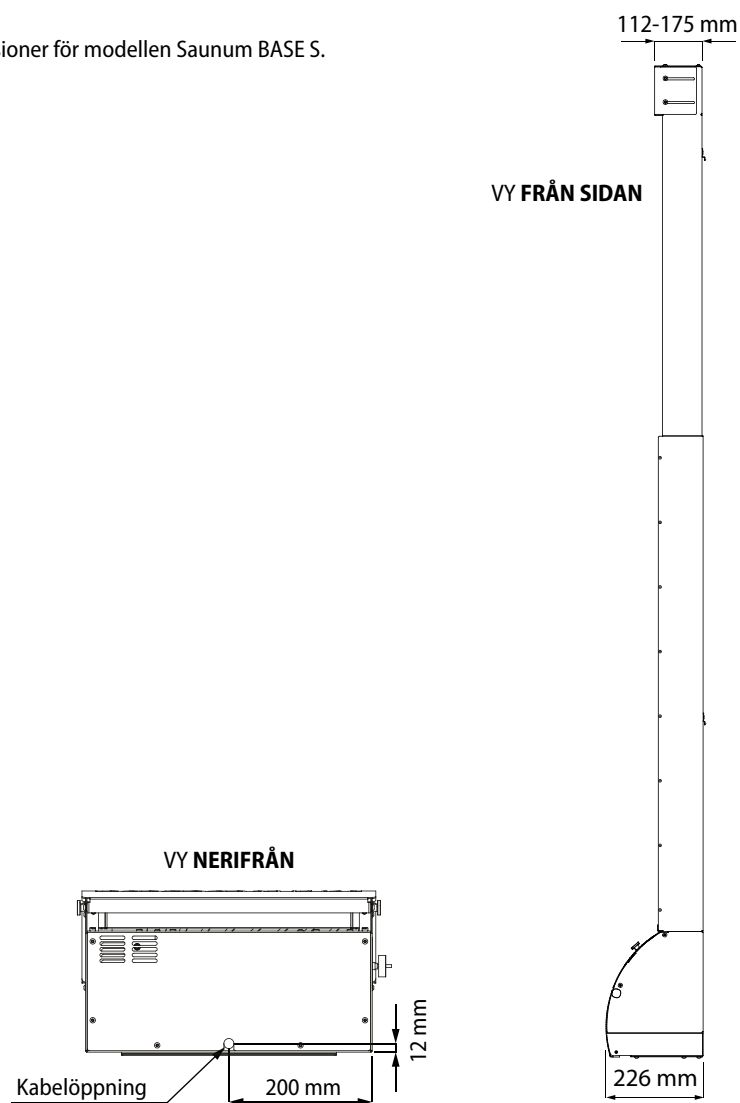
Sa

4. Sätt i saltkulorna. Saltkulorna placeras i enheten efter att den har monterats på väggen. Öppna gallret genom att lossa de två skruvarna för hand och placera sedan kulorna i kulhållarens fack.

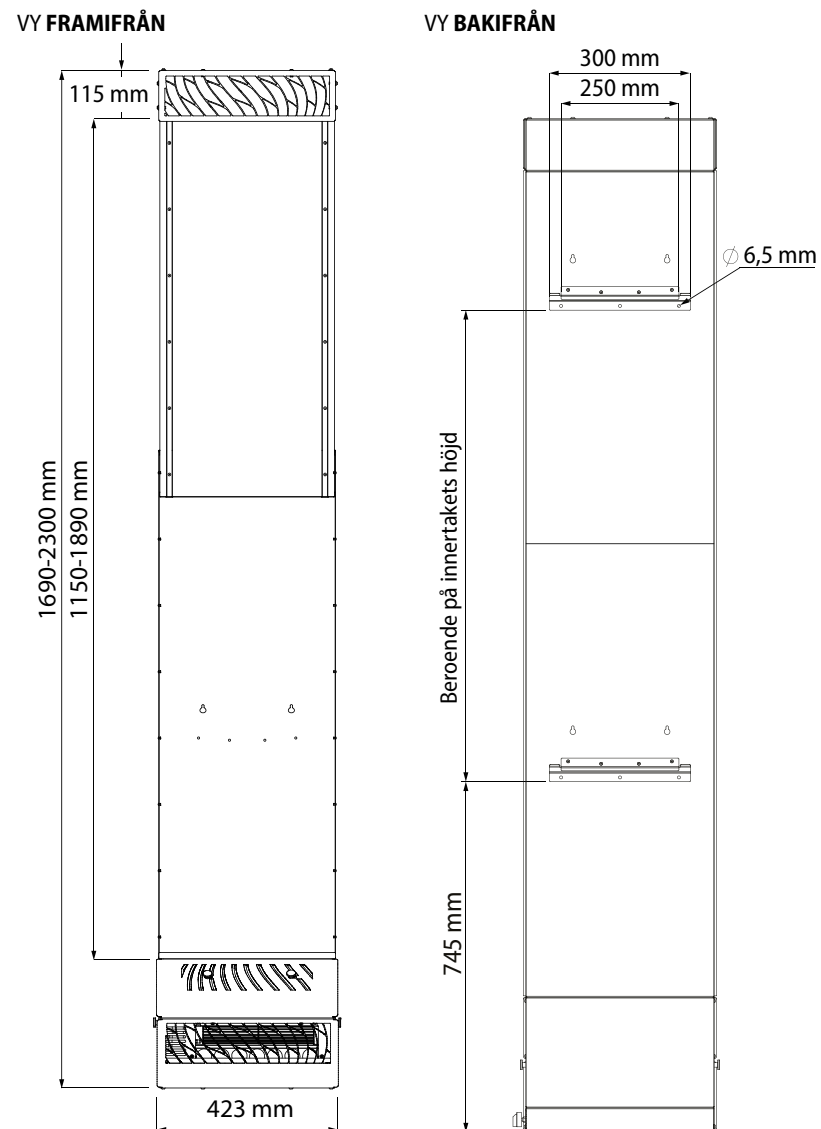


Sa

Figur 2
Dimensioner för modellen Saunum BASE S.

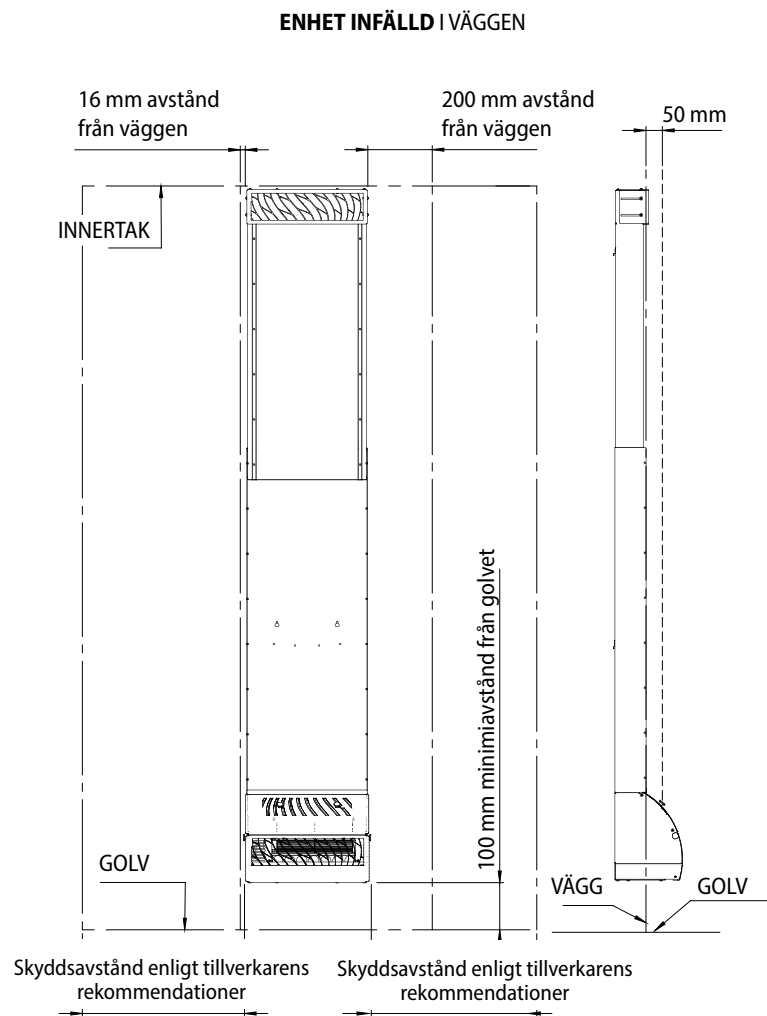


Sa



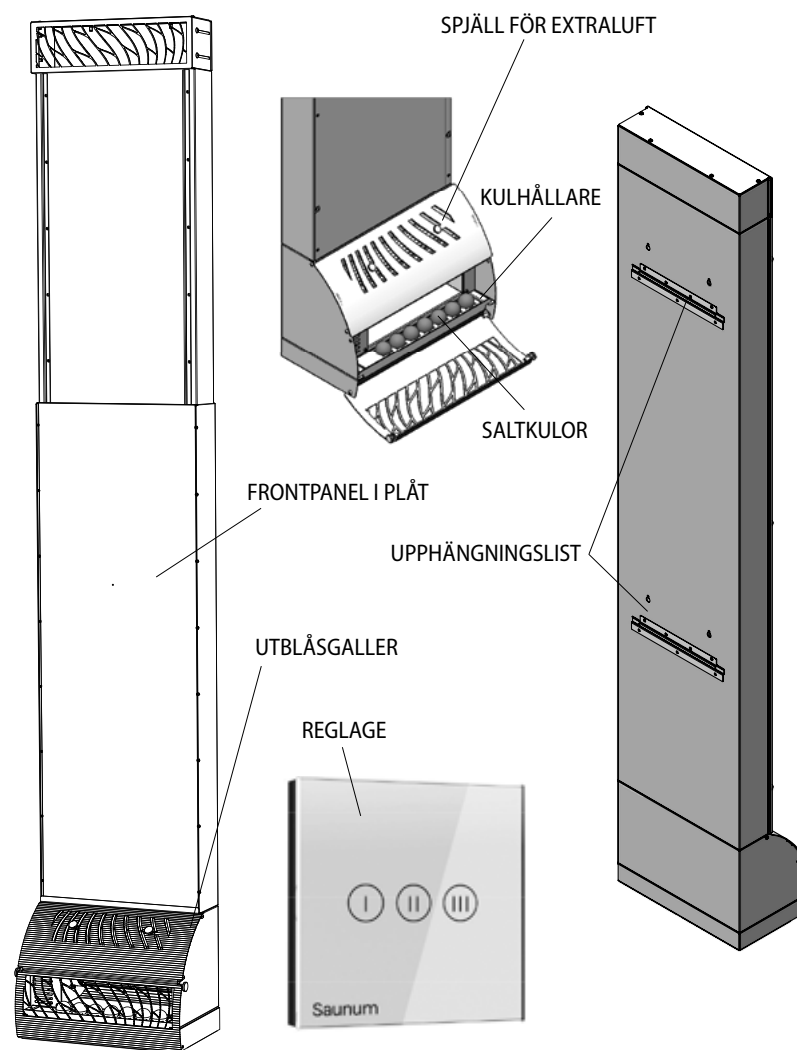
Sa

Figur 2A – Monteringsavstånd för Saunum BASE S.



Sa

Figur 2B – Komponenter för Saunum BASE S.

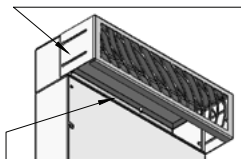


Sa

Figur 2C – Rekommenderad montering av Saunum BASE S med hjälp av upphängning-slister.

1. Montera fast de medföljande listerna på väggen. Använd pluggar vid behov.
2. Häng upp enheten på de fastmonterade listerna på väggen. Se till att hålen bakom enheten vilar jämnt på de båda listerna. (Använd ett vattenpass vid behov för att säkerställa att enheten är i våg.)
3. Kontrollera att enheten är fri från utvändiga skador. Det är förbjudet att använda en skadad enhet!
4. Innan enheten tas i bruk ska alla oanvända öppningar täckas med den medföljande aluminiumtejpen.

Justera överstyckets sidor och ovansida

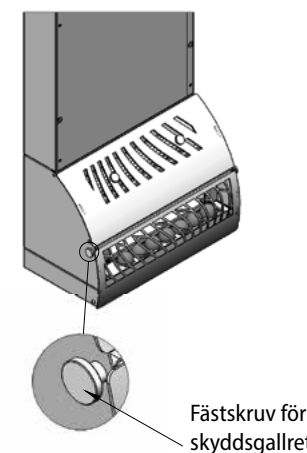
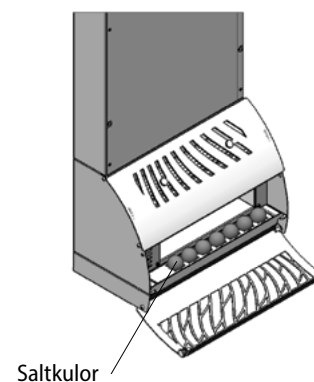
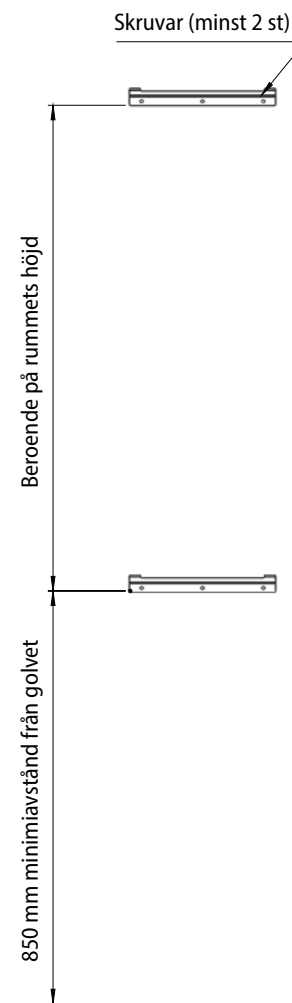


Öppning under överstycket som skapats efter föregående justering



Sa

5. Sätt i saltkulorna. Saltkulorna placeras i enheten efter att den har monterats på väggen. Öppna det nedre gallret genom att lossa de två skruvarna för hand och placera sedan kulorna i kulhållarens fack.



Sa

ELANSLUTNINGAR

OBS! Enhetens elanslutningar måste utföras av en kvalificerad elektriker och i enlighet med gällande standarder och krav.

Enheten måste anslutas permanent med hjälp av en kabel som är lämpad för de omgivande temperaturförhållandena och en skruvkontakt i enlighet med kopplings-scheman i denna anvisning (figurer 3, 3A, 4, 5 och 6 på följande sidor).

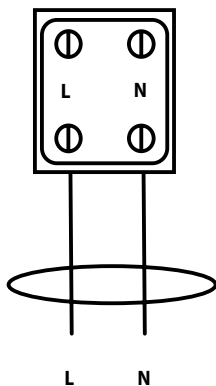
Kabelns ytterdiameter får inte överskrida 10 mm. Skyddsjord (PE) med minst 1,5 mm² ledartvärsnitt ska anslutas till enhetens anslutningskontakt. Strömmatning till enheten ska ske från en 230 VAC 50/60 Hz matningsströmkrets som är skyddad med C2-överströmsskydd. Enhetens matningsströmkrets ska även vara skyddad med en jordfelsbrytare för att garantera människornas säkerhet i basturummet.

Enhetens belysning ska anslutas till antingen en extern eller intern brytare. Strömkretsen för ett externt belysningsreglage måste också förses med jordfelsbrytare och överströmsskydd.

Strömkretsarna för enhetens belysning och fläkt är anslutna till externa brytare vars matningsströmkretsar är försedda med jordfelsbrytare och överströmsskydd. Strömkabeln måste dras in i enheten vertikalt nerifrån för att undvika att vatten rinner in i enhetens hölje längs kabeln.

Kabelns utvändiga isolering får endast skalas bort på den längd som ska ligga inne i enhetens hölje.

Figur 3 – Anslutning av strömkabel för en enhet med ett invändigt reglage för fläkthastighet.



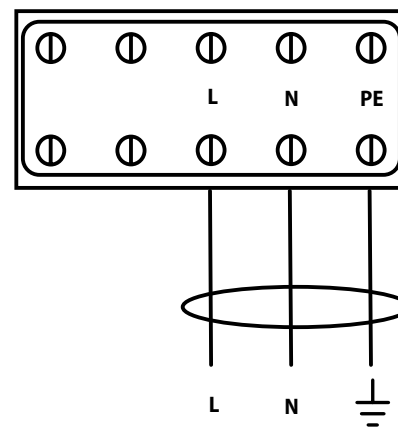
Får endast anslutas till en enhet med belysning via en extern brytare!

OBS! Anslutningarna ska utföras i enlighet med instruktionerna i kopplings-schemat för enheten.

OBS! Måste anslutas via jordfelsbrytare och överströmsskydd!

Sa

Figur 3A – Anslutning av strömkabel för en enhet med invändigt reglage för fläkthastighet. Huvudström till enheten.



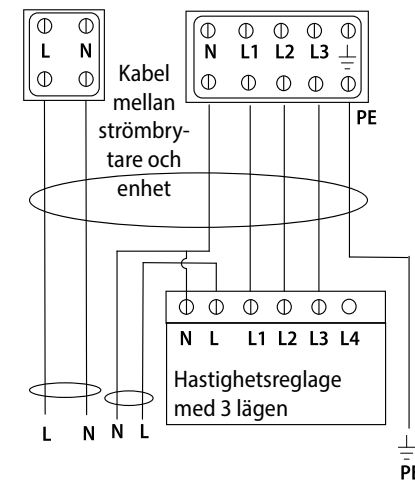
OBS! Måste anslutas via jordfelsbrytare och överströmsskydd!

Den strömkabel som används ska vara avsedd för utförande av en permanent elinstallation och uppfylla kraven på elinstallationer i basturum. Ledartvärsnittet för strömkabeln ska vara 1,5–2,5 mm².

Strömkabeln ska dras genom öppningen i enhetens undersida i enlighet med monteringsanvisningarna.

Strömkabeln får aldrig ligga kvar på golvet i basturummet.

Figur 4 – Anslutning av strömkabel för en enhet med externt reglage för fläkthastighet.



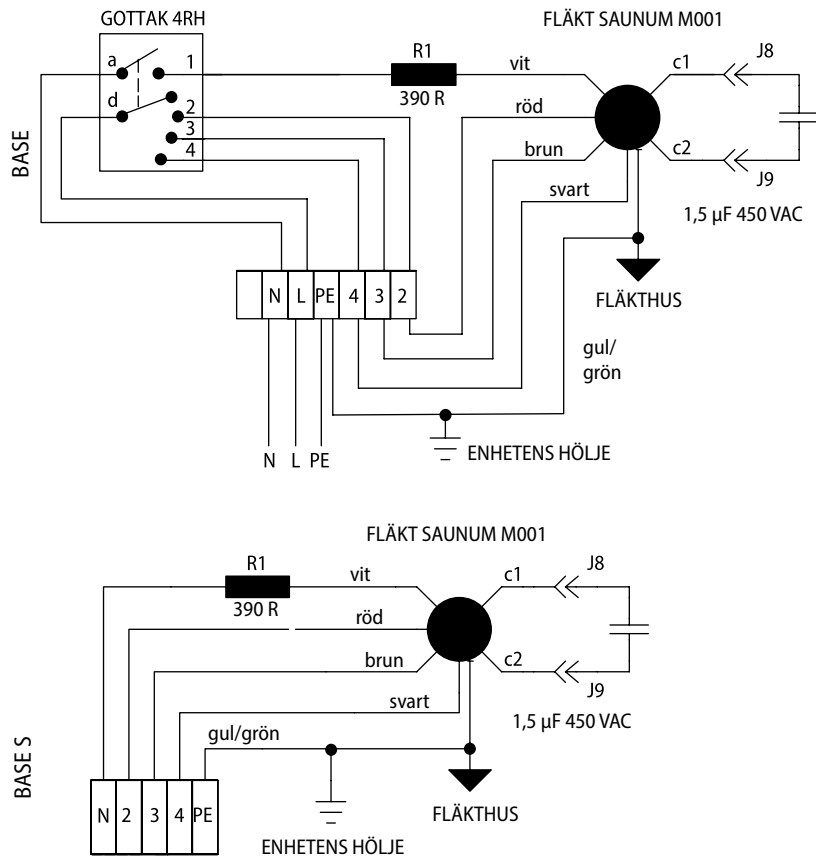
OBS! Måste anslutas via jordfelsbrytare och överströmsskydd!

Strömförsörjning till fläkten. OBS! Måste anslutas via jordfelsbrytare och överströmsskydd!

OBS! Anslutningarna ska utföras i enlighet med instruktionerna i enhetens kopplings-schemat.

Sa

Figur 5 – Kopplingschema för enhet utan reglage, med belysning.

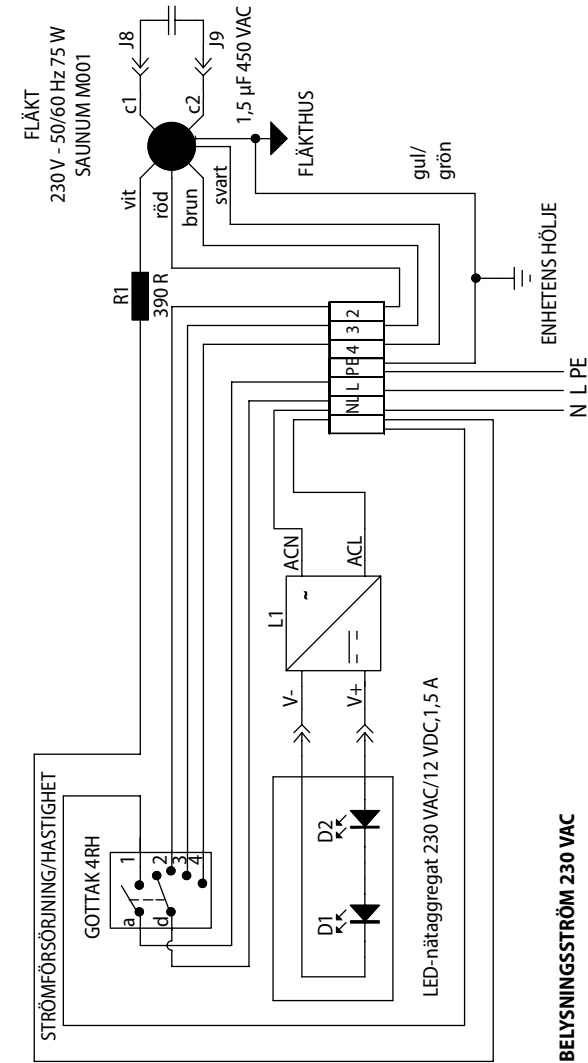
**STRÖMFÖRSÖRJNING/HASTIGHET**

230 VAC INGÅNGSKONTAKT FÖR FLÄKTSTRÖM

OBS! MÅSTE ANSLUTAS VIA LÄMPLIGA SÄKERHETSSYSTEM!

Sa

Figur 6 – Kopplingschema för enhet med belysning och reglage.



STRÖMFÖRSÖRJNING/HASTIGHET
 230 VAC INGÅNGSKONTAKT FÖR FLÄKTSTRÖM
OBS! MÅSTE ANSLUTAS VIA LÄMPLIGA SÄKERHETSSYSTEM!

BELYSNINGSTRÖM 230 VAC

Sa

BRUKSANVISNING

Enheten är avsedd för utjämning av klimatet i ett basturum under bastubad.

Kontrollera följande innan enheten används för första gången:

- elanslutningarna uppfyller kraven
- matningsspänningen motsvarar tillåtna märkvärden för enheten
- jordledaren (PE) är i felfritt skick
- fästen för enhetens hölje
- väggfästena sitter som de ska
- överströmsskydd och jordfelsbrytare fungerar som de ska/är monterade
- fläktrotorn roterar fritt
- verktyg för montering och materialrester har tagits ut ur enhetens hölje.

Kontrollera följande vid start av enheten:

- luftflödets riktning – luftintag via den övre och utblås via den nedre öppningen
- inga vibrationer eller onormala ljud uppstår när fläkten går igång.
- belysningen är stabil om enheten har LED-belysning.

INSTÄLLNING AV BASTUKLIMATET

Luftcirkulationens volym genom enheten justeras med hjälp av en vridknapp nederst på enhetens högra sida.

Reglaget har 4 olika lägen och det kan vridas såväl medurs som moturs. Om strecket på reglageknappen är riktat åt vänster är enhetens fläkt avstängd. Luftflödet ökar om reglaget vrids medurs och det finns 3 olika hastighetsnivåer att välja mellan.

För justering av lufttemperaturen i basturummet finns det ett kylspjäll för bastuluft nederst på enhetens frontpanel (se figur 1C och 2B). Den rekommenderade inställningen är att ha kylspjället öppet till 1/3. Försök att öppna spjället sakta för att kyla ned bastuången. Prova olika fläkthastigheter för att hitta det lämpligaste bastuklimatet i din bastu.

ANVÄNDNING AV ENHETEN

Enheten ska startas omedelbart innan man stiger in i basturummet och stängas av genast när man lämnar basturummet. Enheten får inte vara påslagen under uppvärmning av basturummet eftersom temperaturen i basturummets nedre del stiger om enheten är på, vilket gör att bastulaven och golvet kan överhettas.

Sa

ANVÄNDNING AV HIMALAYASALTKULOR

Bastuklimatenheten levereras med Himalayasaltkolor. Användning av saltkolor i enheten är frivillig och påverkar inte dess huvudfunktion.

För användning av saltkolor placeras de i kullhållaren mellan utblåsgallret och fläkten. Kontrollera att saltkulorna ligger korrekt och inte hindrar fläktens rotation.

För att sätta i eller ta ut saltkulorna (se figur 1D och 2C) öppnas de 2 fästskruvarna till utblåsgallret och detta fälls sedan ner. Var försiktig när du gör detta! När du har satt i eller tagit ut saltkulorna ska utblåsgallret stängas på nytt och fästas med de 2 fästskruvarna.

Bastuklimatenheten får endast användas med skyddsgallret på plats!

För att säkra en lång livslängd för enheten bör man se till att temperaturen i basturummet som ligger i nivå med enhetens nedre del inte överskrider 80°C. Vid högre temperatur löser termosäkring ut och fläkten stannar. När temperaturen faller under termosäkringens utlösningssgräns går fläkten igång igen.

Tillverkaren åtar sig inget ansvar för fel på enheten som beror på att den tillåtna användningstemperaturen överskrids.

Om enheten har invändig belysning slås även belysningen på vid start av enheten (se information på enhetens förpackning).

Om din enhet är avsedd för infälld montering i väggen och försedd med ett externt pekreglage för hastighetsjustering ska följande krav vara uppfyllda:

- Ett externt hastighetsreglage får endast monteras utanför bastu- och duschrattet, t.ex. i omklädningsrummet, helst bredvid dörren så att det är bekvämt att starta och stänga av enheten.
- Reglaget har tre olika lägen för justering av luftflödets intensitet. Enheten startas eller stängs av genom att hålla fingret på området för önskad hastighet.
- Rör vid önskat område för att ändra hastighetsnivå.
- Om enheten har invändig belysning måste en separat strömbrytare (tillval) användas för belysningen.

Sa

VARNINGAR

- Långvarig vistelse i basturummet höjer kroppstemperaturen vilket kan vara farligt för hälsan!
- Låt aldrig barn, personer med funktionsnedsättningar eller sjuka personer vistas i basturummet utan uppsikt!
- Rådfråga en läkare om medicinska kontraindikationer mot bastubad!
- Rådfråga en läkare om medicinska kontraindikationer mot saltterapi!
- Försäkra dig om att du inte är allergisk mot saltterapi. Saunum åtar sig inget ansvar för biverkningar från saltterapi!
- Rådfråga en barnläkare eller familjeläkare om barns vistelse i basturummet!
- Var försiktig i bastun och basturummet – bastulaven och golvet kan vara hala!
- Bada aldrig bastu medan du är påverkad av alkohol, läkemedel eller droger!
- Sov aldrig i ett hett basturum!
- Havsluft och fuktigt klimat kan orsaka ett oxidskikt (korrosion) på bastuaggregatets metallytor!
- Försäkra dig om att basturummet har tillräcklig ventilation. Saunum åtar sig inget ansvar för eventuell saltrelaterad korrosion på enheter och utrustning. Konsultera med en specialist vid behov!
- Häng aldrig upp handdukar eller kläder på tork i basturummet – detta kan leda till brandrisk!
- För hög luftfuktighet kan skada elektriska enheter!

OBS! Lämna aldrig bastuklimatens fläkt igång om du inte vistas i basturummet – detta orsakar onödigt stor energiförbrukning och bastulaven kan bli för het!

Sa

UNDERHÅLL OCH REPARATION

VAR FÖRSIKTIG! Koppla ur bastuklimatens strömkrets från elnätet och vänta tills enhetens rörliga delar har stannat helt innan underhåll och rengöring av enheten.

Kontrollera följande innan underhåll och rengöring av enheten:

- Enheten är urkopplad från elnätet (inte bara avslagen med huvudströmbrytaren på enheten utan även med överströmsskydden).
- Enhetens fläkt har stannat helt.
- Erforderlig säkerhetsutrustning och personlig skyddsutrustning används vid utförande av arbetena.
- Anslutningskablarna är oskadade. Om skada upptäcks på anslutningsskablar, måste kablarna bytas ut av en kvalificerad elektriker i enlighet med gällande standarder och krav innan du fortsätter med underhålls- och rengöringsåtgärderna.

Enhetens hölje kan rengöras med en trasa fuktad med vatten.

Använd aldrig högtryckstvätt eller rinnande vatten för rengöring! Använd aldrig kemiska rengöringsmedel eller lösningsmedel för rengöring!

Kraftig nedsmutsning kan rubba fläktrotorns balans vilket i sin tur ökar bullret medan enheten är igång. Även skadade/böjda fläktblad kan orsaka kraftigare buller.

Se till att inga främmande föremål hamnar i fläktrotorns arbetsområde.

Normalt sett behöver fläkten inte rengöras oftare än en gång om året. Fläktrengöring får endast utföras av en kvalificerad specialist.

Användning av tryckluft för fläktrengöring kan orsaka bestående skada på fläktrotorn!

Fläktlagren är underhållsfria och måste bytas ut om de inte fungerar som de ska.

Se till att luftöppningarna för bastuklimatens fläkt är fria från främmande föremål. Barn får aldrig rengöra enheten.

Om bastuklimatens enhet används med saltkolor rekommenderas det att en gång om året kontrollera saltkulornas nötning (se figur 1D och 2C).

Om kulornas diameter har minskat med mer än hälften ska nya saltkolor sättas i. Ta ut behållaren för saltkolor ur enheten och tvätta av saltresterna under rinnande vatten. Sätt tillbaka behållaren och lägg i nya saltkolor i facken.

Om problem uppstår med fläktens eller belysningens funktion ska användning av enheten avbrytas omedelbart och en kvalificerad specialist kontaktas för kontroll av enheten.

Sa

ALLMÄNNA GARANTIVILLKOR FÖR SAUNUM-PRODUKTER

Med Saunums produktgaranti garanterar Saunum att produkten är fri från material- och produktionsfel under en fastställd period efter inköpsdatumet. Om fel till följd av lågkvalitativa material eller produktionsfel uppstår i enheten under garantitiden kommer enheten eller den defekta delen repareras eller bytas ut utan arbets- eller reservdelskostnader. Detta utförs av Saunums rekommenderade reparationspartner under nedan angivna villkor. Saunum förbehåller sig rätten att avgöra om det är den defekta produktkomponenten eller hela enheten som ska bytas ut. Utbyta defekta produktkomponenter förblir Saunums egendom.

Garantivillkor:

1. Garantin gäller endast under förutsättning att det ifyllda monteringsprotokollet lämnas in tillsammans med reklamationen.
2. Garantitiden för enheten vid användning i en privat bastu är två (2) år.
3. Garantitiden för enheten vid användning i en offentlig bastu är ett (1) år.

Garantin omfattar inte

1. regelbundet underhåll och rengöring av enheten samt byte av komponenter på grund av normalt slitage
2. modifiering eller ombyggnad av enheten i syfte att använda den för något annat ändamål än det som anges i bruksanvisningen
3. transportrelaterade risker
4. skador till följd av missbruk av enheten
5. skador till följd av felaktig montering av enheten
6. reparation av enheten som inte har utförts av en av Saunums rekommenderade reparationspartner (servicepartner)
7. olyckshändelser, blixtnedslag, vatten, brand, felaktig ventilation eller någon annan faktor som står utanför Saunums kontroll
8. fel till följd av användning av saltkolor som inte rekommenderas av Saunum
9. saltkolor.

Information om Saunum Saunas OÜ:s rekommenderade montörer och underhållspartner finns på Saunum Saunas OÜ:s webbplats www.saunum.com eller så kan du kontakta info@saunum.com.

Sa

Underhållsinstruktionerna för enheter av Saunum anges i respektive bruksanvisning.

OBS! Bastuklimatenheten får endast anslutas till elnätet av en kvalificerad elektriker enligt gällande normer.

Läs noggrant igenom hela bruksanvisningen innan enheten tas i bruk och förvara den säkert och lättillgängligt för framtida behov.

MONTERINGS PROTOKOLL

Inköpsdatum: _____

Typ av bastuaggregat: _____

Etikett/serienummer:



Monteringsplats: _____

Monteringsdatum: _____

Montör: _____

Kontrollerad: _____

Datum, signatur: _____

Beskrivning över utförda arbeten: _____

Alla detaljer för montering finns med _____

Inga lackdefekter eller bucklor _____

Monterad på vägg eller golv enligt monteringsanvisningarna _____

Elanslutningar har utförts enligt monteringsanvisningarna _____

De tre fläktlägena fungerar korrekt / i rätt ordningsföljd _____

FYLLS I AV KUNDEN Anteckningar: _____

Kundens kontaktuppgifter (namn, e-post): _____

Arbetet godkänns: _____

Startdatum för garantin: _____



EG-försäkran om överensstämmelse

Tillverkare: Saunum Saunas OÜ
Adress: Läike tee 2-4
75312 Peetri, Estland

försäkrar härmed att den nedan angivna produkten:

Klimatenhet för basturum

överensstämmer med de krav som anges i följande direktiv från Europarådet, förutsatt att monteringen har utförts enligt tillverkarens monteringsanvisningar och standarden EN 60 204-1 "Maskinsäkerhet - Maskiners elutrustning - Del 1:

Allmänna fordringar":

Maskindirektivet 2006/42/EG,
Lågspänningsdirektivet 2014/35/EU,
EMC-direktivet 2014/30/EU.

Sa

Sa



info@saunum.com

www.saunum.com



Saunum BASE / BASE Short / BASE S

ENG • EST • RUS • GER • FRA • ITA • FIN • SWE